

Established 1888



ROOF DRAINS

FLOOR DRAINS

GREASE TRAPS

WALL HYDRANTS

CLOSET SUPPORTS

BACK WATER TRAPS

DRINKING FOUNTAINS

SWIMMING POOL FITTINGS

American Foundry & Mfg. Co.
St. Louis, Mo.

Office and Factory, 1015 Hebert Street

AMERICAN SEEP-PROOF ROOF DRAINS

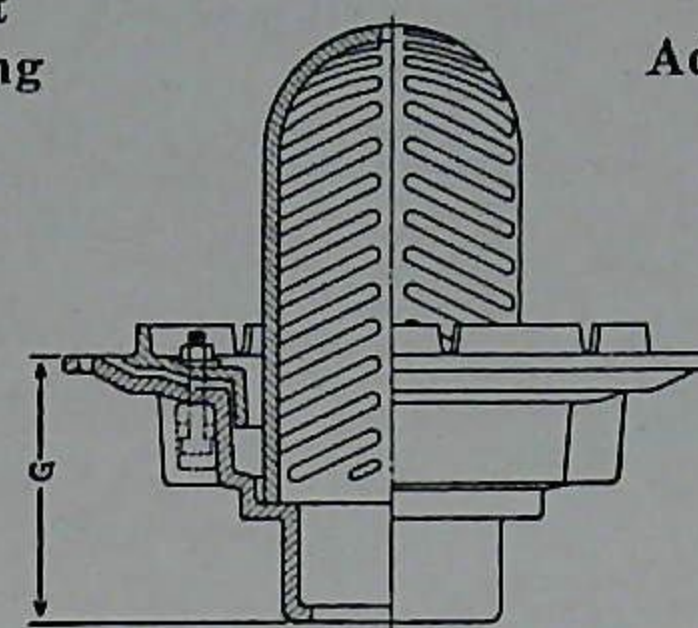
For Wood, Concrete, Gypsum, Precast Slab, Tile and Steel Decks,
Gravel, Slag, Tile or Smooth Surface Roofs

Cast Iron Body with Integral Flange—Anti-Tilting Dome Strainer
Gravel Guard



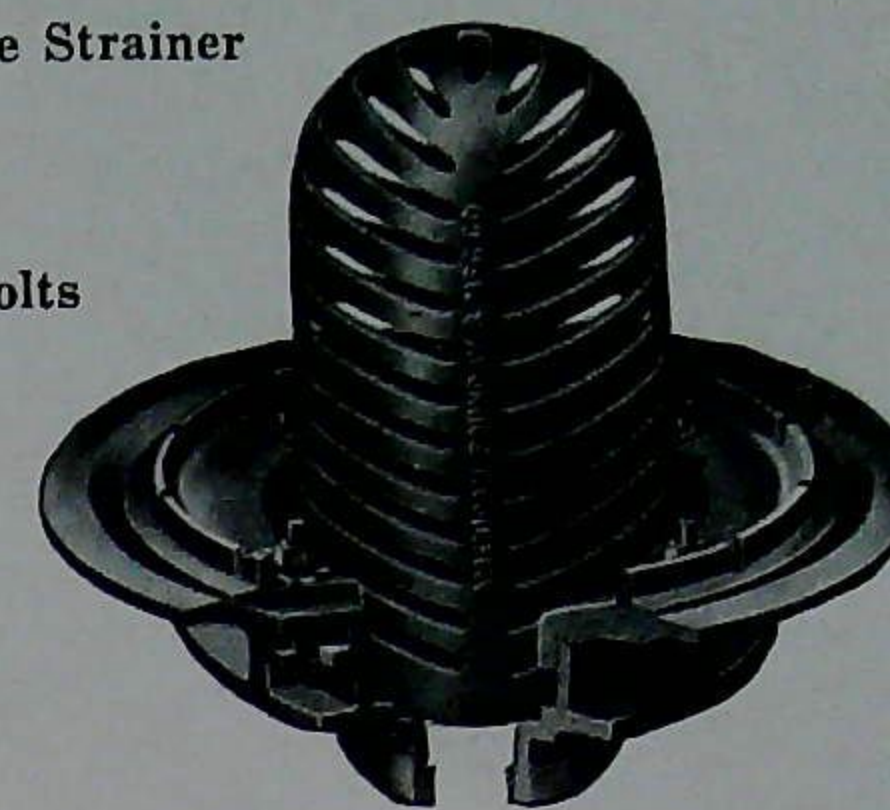
Round Top Flange for Wood Deck
No. 1105 Bottom Outlet
No. 1111 Side Outlet

Water-Tight
Clamping Ring

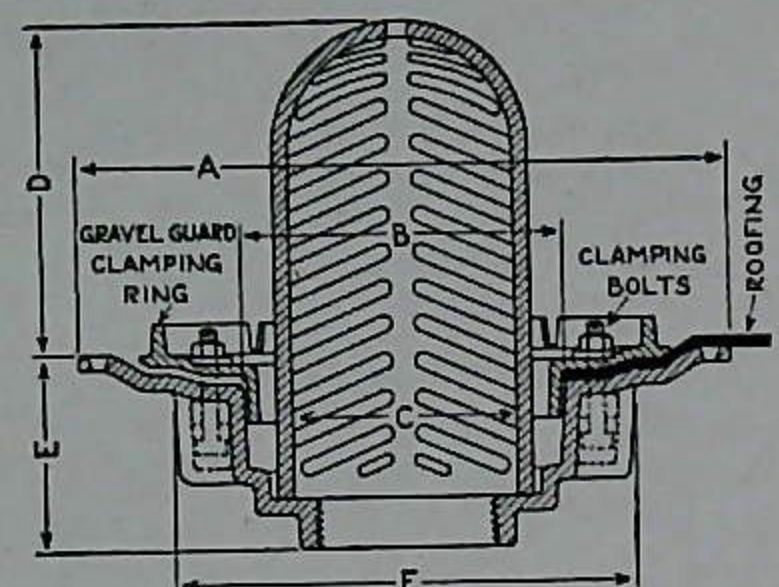


With Hub Outlet
For Inside Caulking

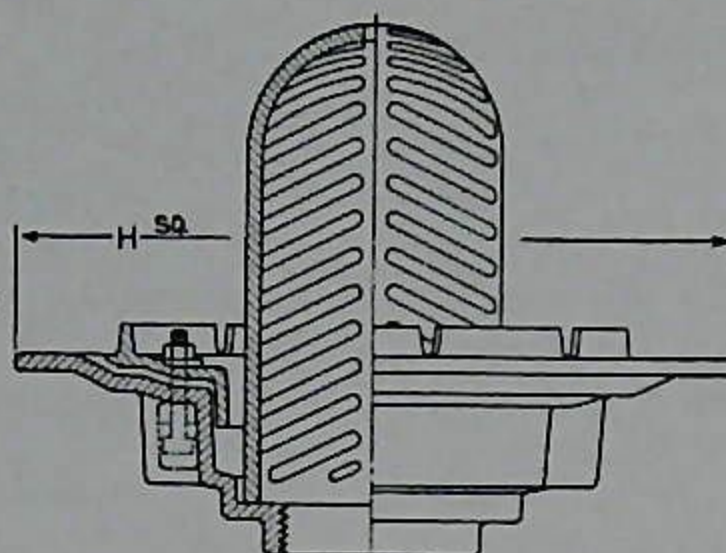
Bronze
Adjustable Bolts



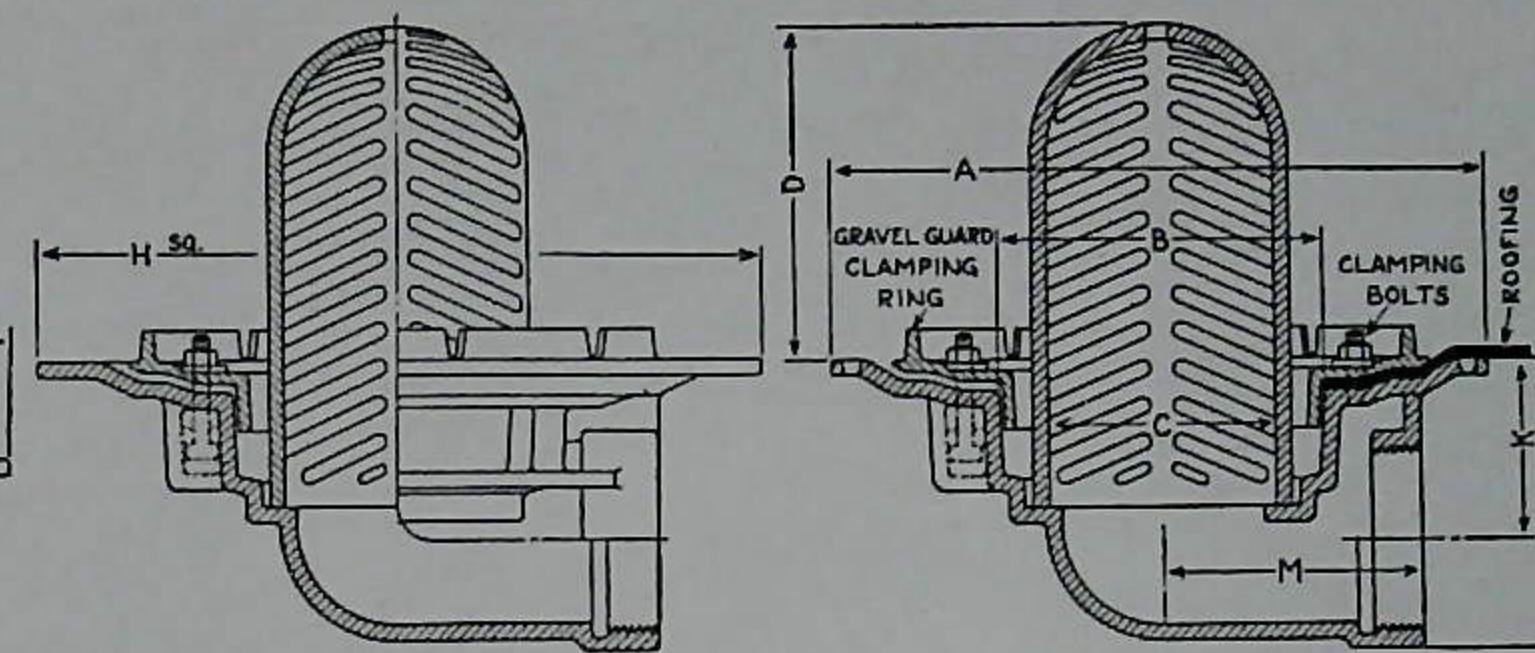
Round Top Flange for Concrete Deck
No. 1107 Bottom Outlet
No. 1113 Side Outlet



No. 1105—No. 1107
Dimensions



Square Top Flange For Wood Deck
No. 1109 Bottom Outlet No. 1115 Side Outlet



No. 1111—No. 1113
Dimensions

Dome Strainer Type—Bottom Outlet

Regularly furnished—Outlet Threaded Female Iron Pipe. Also furnished with Hub Outlet Inside Caulk when specified.

Specifications—Nos. 1005, 1107, 1109.
Dimensions are for Roughing In Only and may vary 1/4 inch.

State Size Outlet	Size Top Flange	A Inches	B Inches	C Inches	D Inches	E Inches	F Inches	G Inches	H Inches	Round Top Flange No. 1105 or No. 1107		Square Top Flange No. 1109	
										Black Cast Iron	Approx. Weight Pounds	Black Cast Iron	Approx. Weight Pounds
2"	16"	16	8	5 1/2	8	5 1/4	11 3/4	6 3/4	17 1/2	\$16.00	47	\$16.80	52
3"	16"	16	8	5 1/2	8	5 1/2	11 3/4	7	17 1/2	16.00	47	16.80	52
4"	16"	16	8	5 1/2	8	5 1/2	11 3/4	7 1/4	17 1/2	16.00	47	16.80	52
5"	18 1/4"	18 1/4	10 1/4	7 1/2	8	5 3/4	14	7 1/4	19 3/4	19.50	73	20.50	80
6"	18 1/4"	18 1/4	10 1/4	7 1/2	8	5 3/4	14	7 1/4	19 3/4	21.50	73	22.60	80
8"	20 1/4"	20 1/4	12 1/4	9 1/2	8	6	15 3/4	7 1/2	21 3/4	30.00	98	31.50	107

Dome Strainer Type—Side Outlet

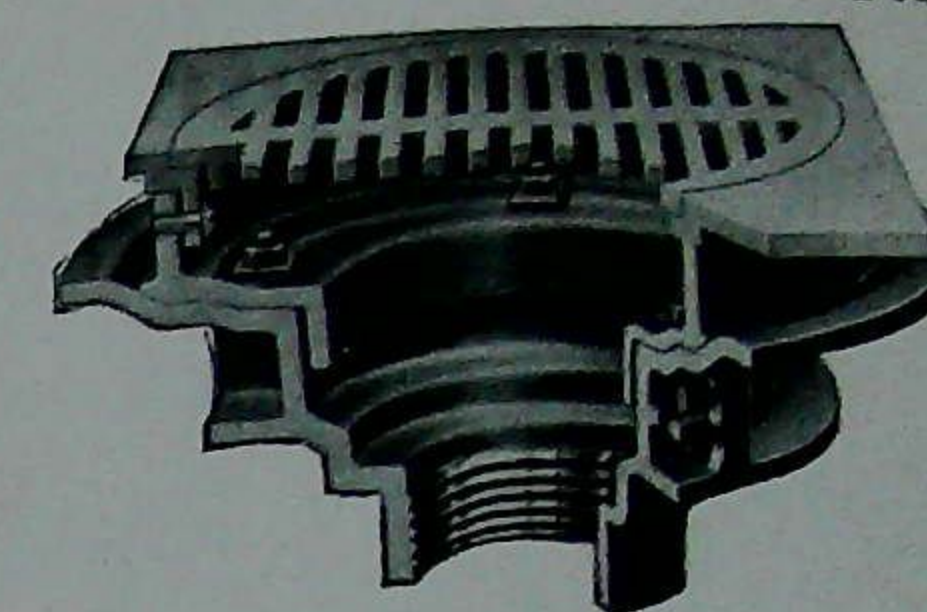
Regularly furnished—Outlet Threaded Female Iron Pipe. Also furnished with Hub Outlet when specified.

Specifications—Nos. 1111, 1113, 1115.
Dimensions are for Roughing In Only and may vary 1/4 inch.

State Size Outlet	Size Top Flange	A Inches	B Inches	C Inches	D Inches	H Inches	K Inches	L Inches	M Inches	Round Top Flange No. 1111 or No. 1113		Square Top Flange No. 1115	
										Black Cast Iron	Approx. Weight Pounds	Black Cast Iron	Approx. Weight Pounds
2"	16"	16	8	5 1/2	8	17 1/2	5	6 3/4	6 1/2	\$20.00	64	\$20.80	69
3"	16"	16	8	5 1/2	8	17 1/2	4 1/2	6 3/4	6 1/2	20.00	64	20.80	69
4"	16"	16	8	5 1/2	8	17 1/2	4	6 3/4	6 1/2	20.00	64	20.80	69
5"	18 1/4"	18 1/4	10 1/4	7 1/2	8	19 3/4	5 1/2	8 3/4	7 1/2	24.40	90	25.30	97
6"	18 1/4"	18 1/4	10 1/4	7 1/2	8	19 3/4	5	8 3/4	7 1/2	26.90	90	27.90	97
8"	20 1/4"	20 1/4	12 1/4	9 1/2	8	21 3/4	6 1/2	11	8 1/2	37.50	118	39.00	127

List Prices given are for Painted Cast Iron. Can be furnished Galvanized, All Cast Brass, or Combined Iron and Brass, when specified, at additional cost.

Dome Strainer with Opening in top to receive conductor pipe from a higher roof elevation can also be furnished when specified. The opening in the top is 2 inches less in diameter than outlet of drain.



Square Top For Concrete Deck
No. 1121 Bottom Outlet

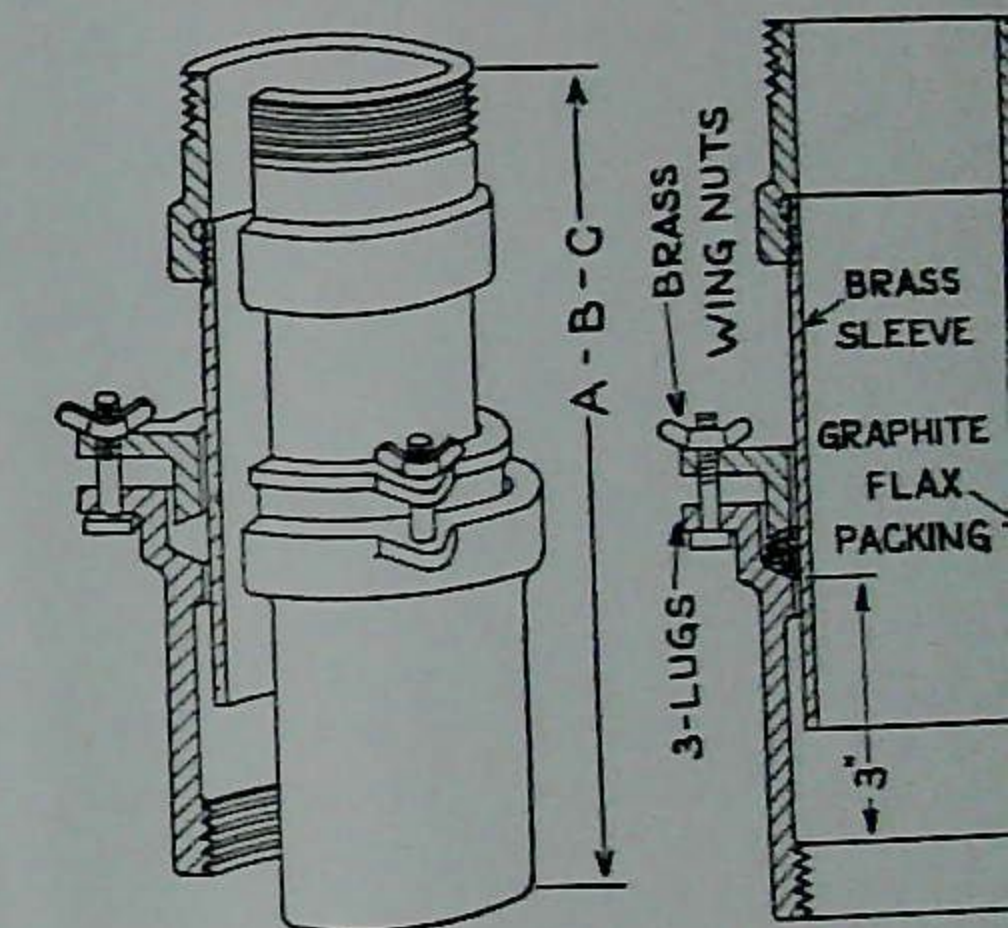
Promenade Deck Type

Regularly furnished—Outlet Threaded

SPECIFICATIONS—No. 1121.
Dimensions are for Roughing In Only and may vary 1/4 inch.

State Size Outlet	Size Deck Top	A Inches
2"	13 1/4" x 13 1/4"	16
3"	13 1/4" x 13 1/4"	16
4"	13 1/4" x 13 1/4"	16
5"	15 1/4" x 15 1/4"	18 1/4
6"	15 1/4" x 15 1/4"	18 1/4
8"	17 1/4" x 17 1/4"	20 1/4

List Prices given are for Painted Cast Iron, also Chrom. Plated Finish or White Metal. Promenade Deck Top above drain body of roof slabs when specified.



No. 1191

Sectional View

Integral Expansion Joint

Can be Repaired

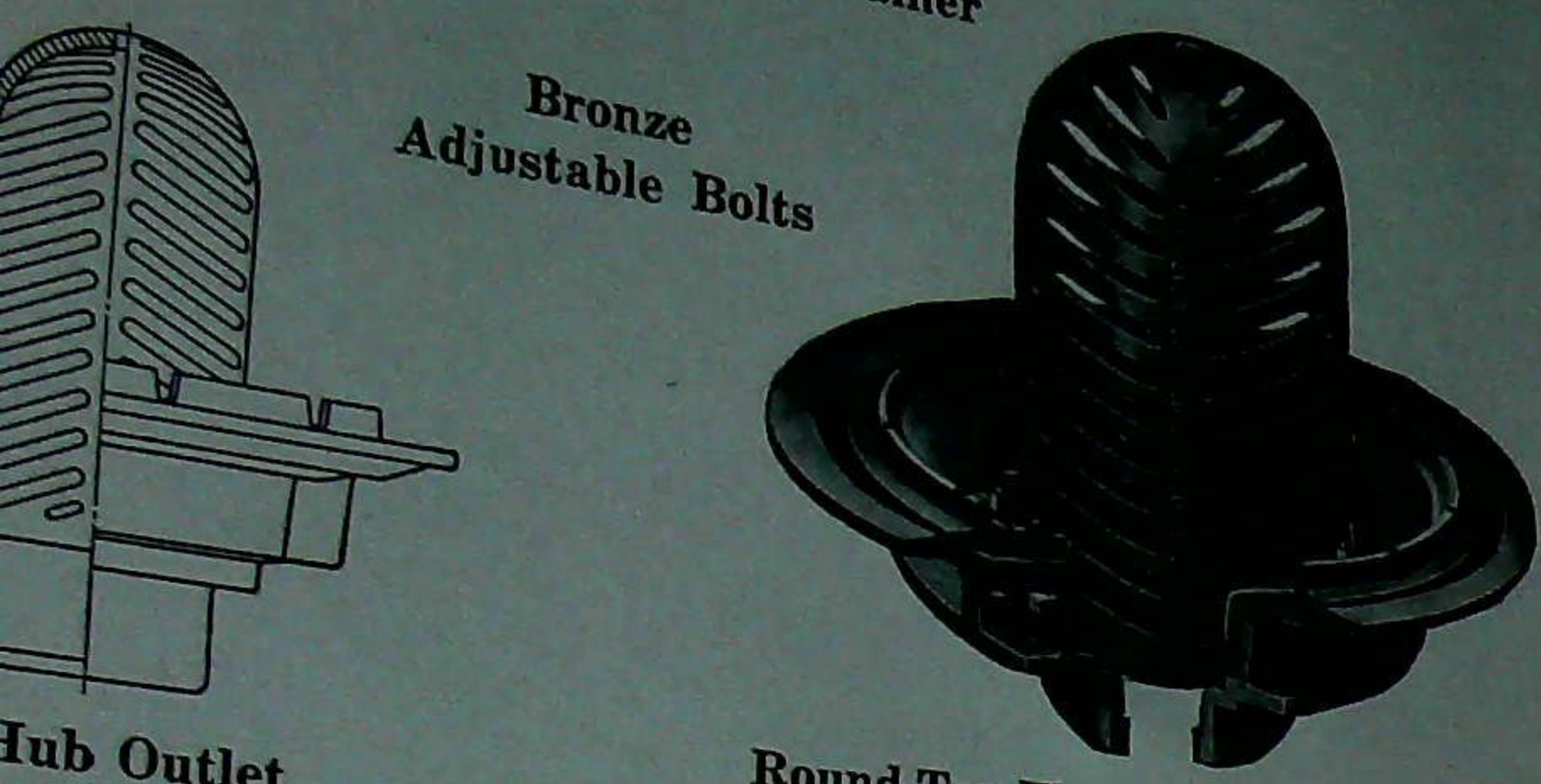
AMERICAN SEEP-PROOF Roof Drains furnished with Integral Expansion Joint

Roof Drains equipped in this manner are suspended below roof level.

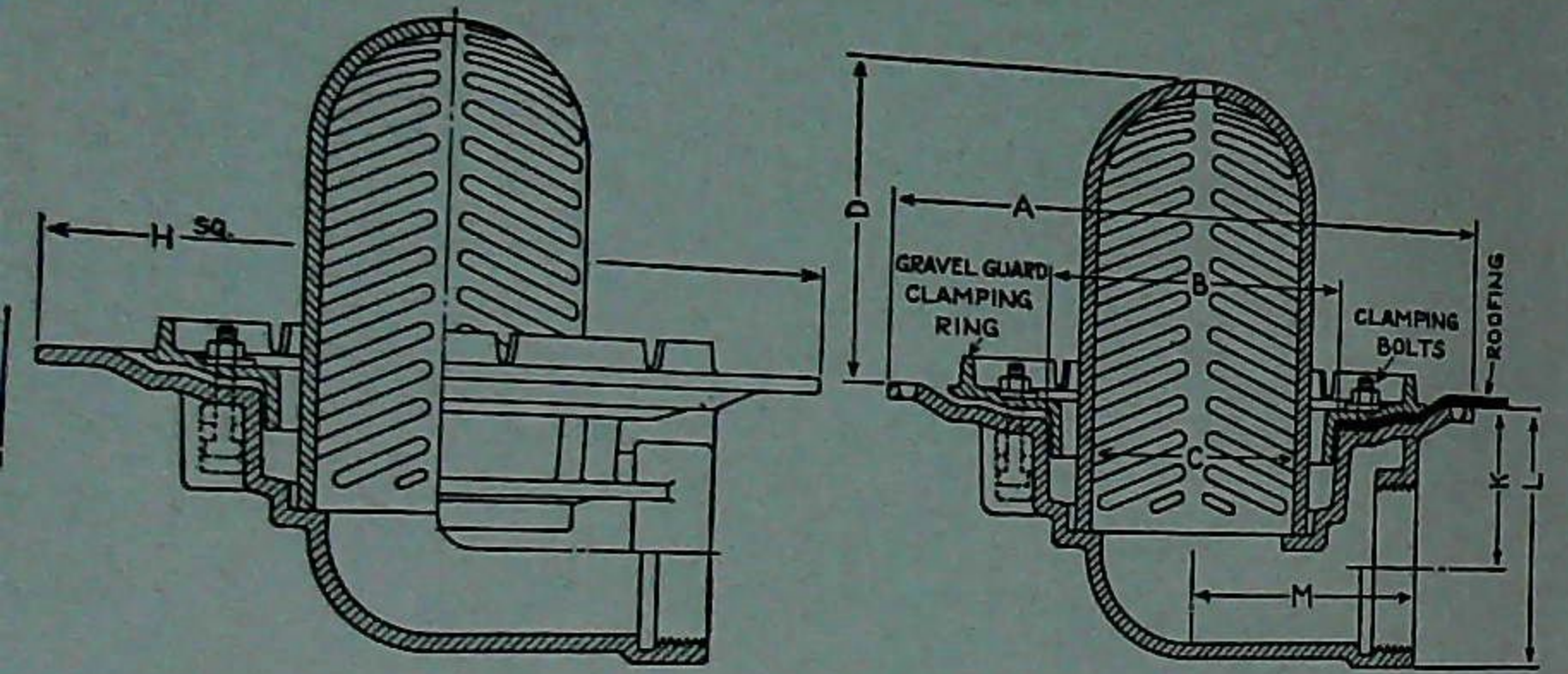
Expansion Joint contains all the necessary parts. View above with the exception that the Expansion Joint is a replaceable part. Parts Replaced from the Top

Specify the Number of the Expansion Joint. The letter 'E' denotes that an Integral Expansion Joint is furnished.

Slab, Tile and Steel Decks,
Smooth Surface Roofs
Anti-Tilting Dome Strainer
Gravel Guard



Hub Outlet
de Caulking
Round Top Flange for Concrete Deck
No. 1107 Bottom Outlet
No. 1113 Side Outlet



ge For Wood Deck
No. 1115 Side Outlet
No. 1111—No. 1113
Dimensions

Also furnished with Hub Outlet Inside Caulk when specified.

G Inches	H Inches	Round Top Flange No. 1105 or No. 1107		Square Top Flange No. 1109	
		Black Cast Iron	Approx. Weight Pounds	Black Cast Iron	Approx. Weight Pounds
6 3/4	17 1/2	\$16.00	47	\$16.80	52
7	17 1/2	16.00	47	16.80	52
7 1/4	17 1/2	16.00	47	20.50	80
7 1/2	19 3/4	19.50	73	22.60	80
7 3/4	19 3/4	21.50	73	31.50	107
7 1/2	21 3/4	30.00	98		

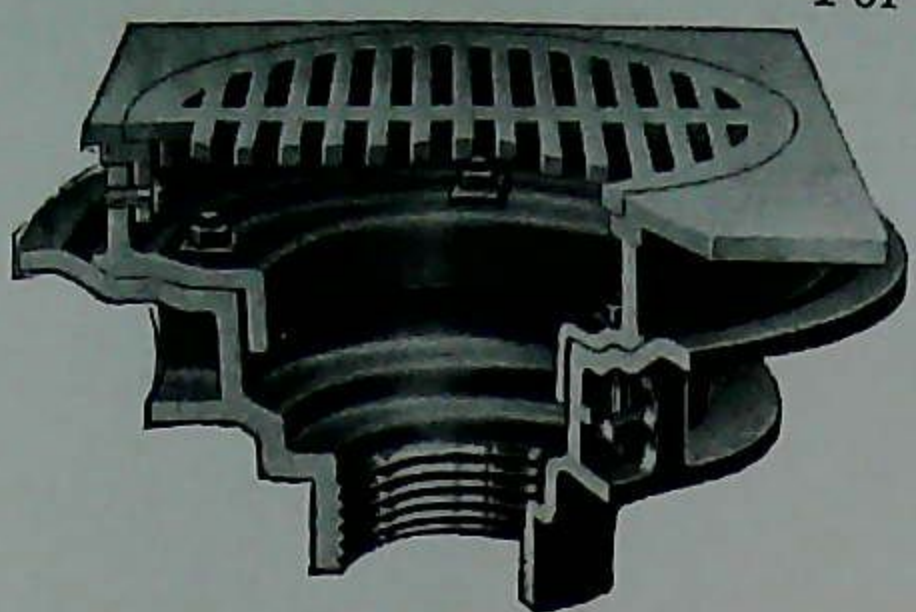
Also furnished with Hub Outlet when specified.

L Inches	M Inches	Round Top Flange No. 1111 or No. 1113		Square Top Flange No. 1115	
		Black Cast Iron	Approx. Weight Pounds	Black Cast Iron	Approx. Weight Pounds
6 3/4	6 1/2	\$20.00	64	\$20.80	69
6 3/4	6 1/2	20.00	64	20.80	69
6 3/4	6 1/2	24.40	90	25.30	97
6 3/4	7 1/2	26.90	90	27.90	97
8 3/4	7 1/2	37.50	118	39.00	127

ed Galvanized, All Cast Brass, or Combined Iron and Brass,
her roof elevation can also be furnished when

AMERICAN SEEP-PROOF ROOF DRAINS

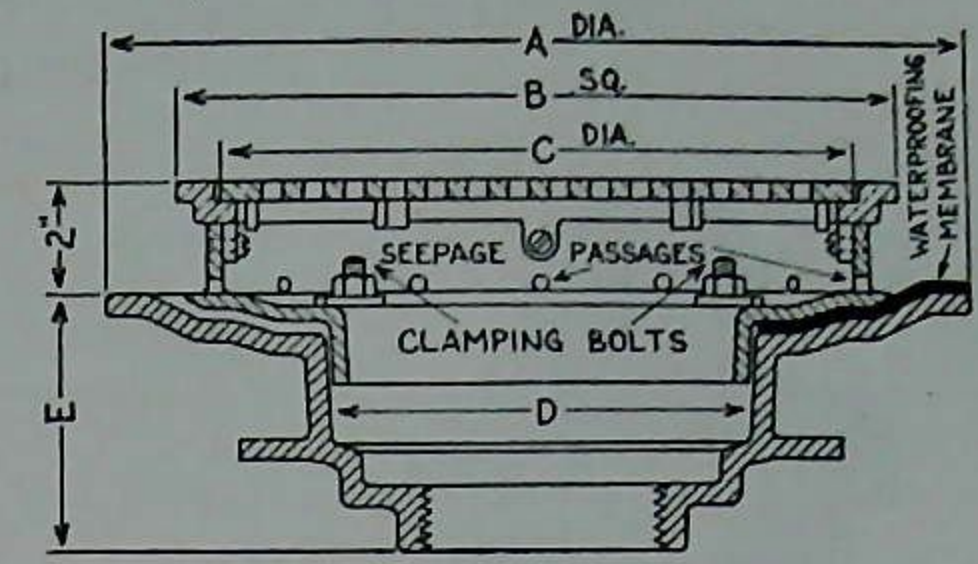
For Concrete, Gypsum, Precast Slab, Tile and Steel Decks,
Tile or Similar Surface Roofs



Square Top For Concrete Deck
No. 1121 Bottom Outlet

Cast Iron Body with Integral Flange
Anti-Tilting Grate—Promenade Deck Top

Water-Tight
Clamping Ring Bronze
Adjustable Bolts



No. 1121 Dimensions

Promenade Deck Type—Bottom Outlet

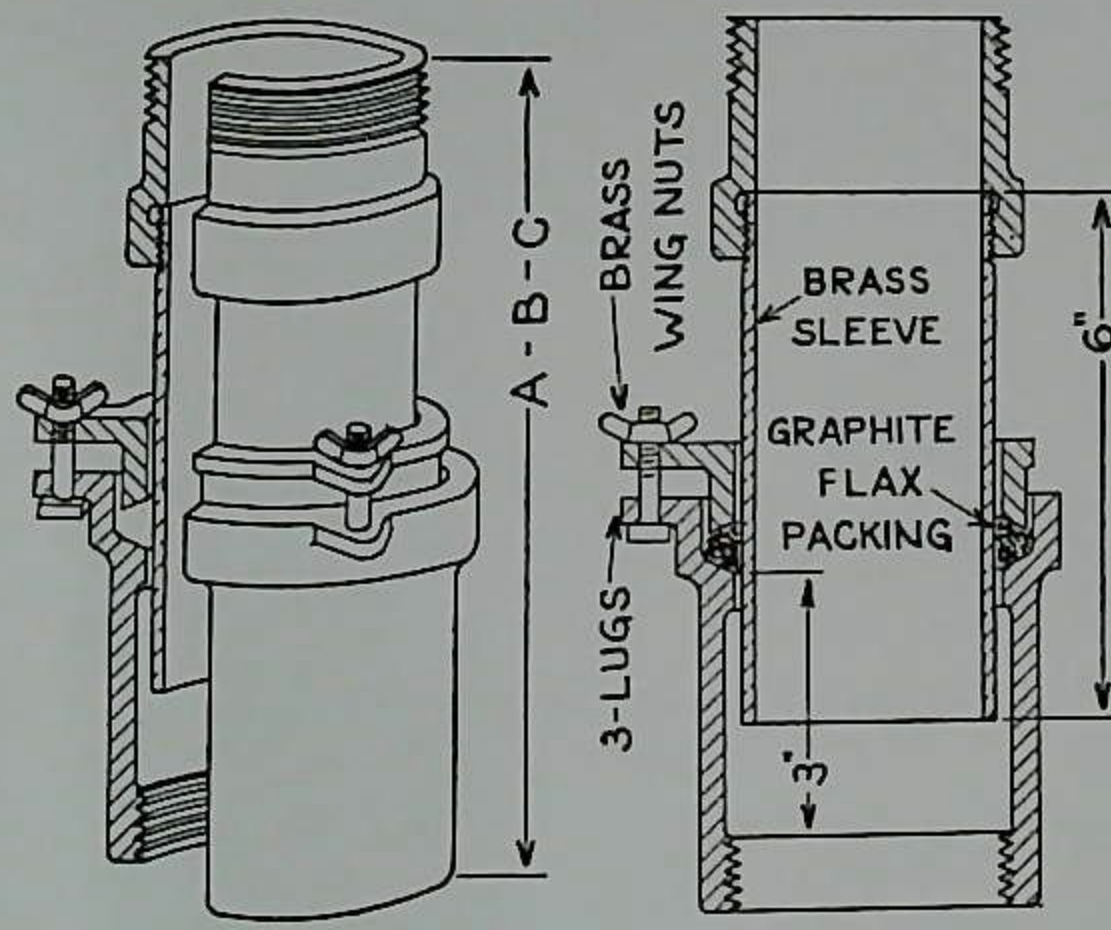
Regularly furnished—Outlet Threaded Female Iron Pipe. Also furnished with Hub Outlet Inside Caulk when specified.

SPECIFICATIONS—No. 1121.
Dimensions are for Roughing In Only and may vary 1/4 inch.

State Size Outlet	Size Deck Top	A Inches	B Inches	C Inches	D Inches	E Inches
2"	13 1/4" x 13 1/4"	16	13 1/4	11 3/4	8	5 1/4
3"	13 1/4" x 13 1/4"	16	13 1/4	11 3/4	8	5 1/2
4"	13 1/4" x 13 1/4"	16	13 1/4	11 3/4	8	5 1/2
5"	15 1/4" x 15 1/4"	18 1/4	15 1/4	13 3/4	10 1/4	5 3/4
6"	15 1/4" x 15 1/4"	18 1/4	15 1/4	13 3/4	10 1/4	5 3/4
8"	17 1/4" x 17 1/4"	20 1/4	17 1/4	15 3/4	12 1/4	6

Square Deck Top No. 1121		
Black Cast Iron	Brass Top Black Body	Approx. Weight Pounds
\$20.00	\$31.50	50
20.00	31.50	50
20.00	31.50	50
24.50	39.00	71
27.00	45.50	71
36.00	55.00	91

List Prices given are for Painted Cast Iron and Combined Iron and Brass. Can be furnished Galvanized or All Cast Brass, also Chrom. Plated Finish or White Metal Top, when specified, at additional cost.
Promenade Deck Top above drain body regularly furnished 2 inches high, but can be furnished to meet various thicknesses of roof slabs when specified.



No. 1191 Sectional View

Expansion Joint Connection for Roof Drains

Cast Iron Body with Extra Heavy Brass Sleeve
Length of Travers 3 inches, permitting Expansion or Contraction of 1 1/2 inches.

Size Outlet	No. 1191 Threaded Inlet Threaded Outlet			No. 1192 Threaded Inlet Spigot Outlet			No. 1193 Hub Inlet Spigot Outlet		
	A Inches	B Inches	C Inches	A Inches	B Inches	C Inches	Black Cast Iron	Galvanized Cast Iron	All Brass
2"	12	13	14 1/4	12	13 3/4	15 1/4	\$ 5.50	\$ 6.50	\$ 9.00
3"	12	14 3/4	15 1/4	12	15 1/2	15 3/4	7.00	8.50	12.00
4"	12	15 1/2	16 1/4	12	16 1/4	16 1/2	8.00	10.00	14.00
5"	12	16 1/4	17 1/4	12	17 1/4	17 1/2	11.00	13.50	18.00
6"	12	17 1/4	18 1/4	12	18 1/4	18 1/2	13.00	16.00	22.00
8"	12	19 1/4	20 1/4	12	20 1/4	20 1/2	21.00	26.00	36.00

Dimensions are for Roughing In Only and may vary 1/4 inch.

Integral Expansion Joint Type

Can be Repacked From Roof Level

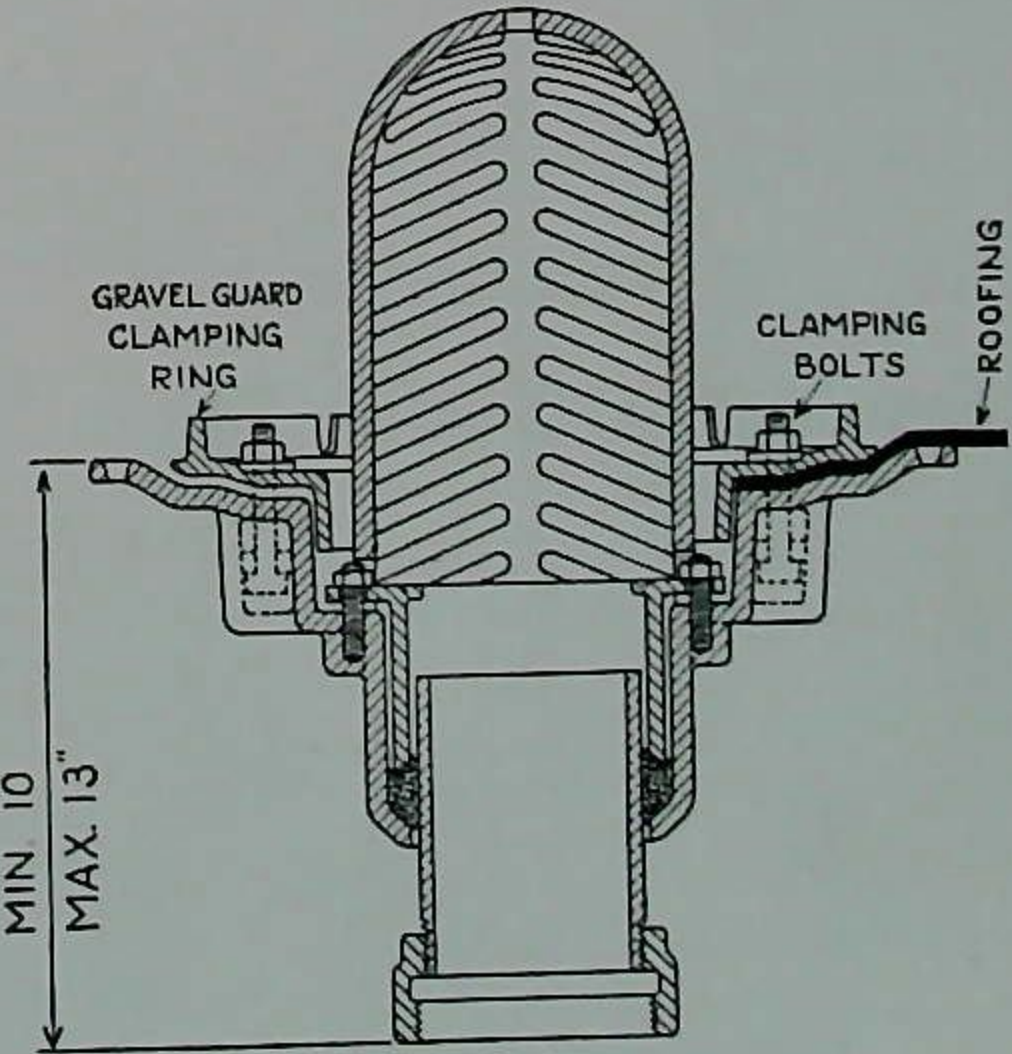
AMERICAN SEEP-PROOF Roof Drains with Bottom Outlet can be furnished with Integral Expansion Joints.

Roof Drains equipped in this manner eliminate access panels in ceiling suspended below roof level.

Expansion Joint contains all the principal features as detailed in Sectional View above with the exception that it can be Adjusted, Repacked and Removable Parts Replaced from the Top Side of the roof drain at roof level.

SPECIFICATIONS

Specify the Number of the Roof Drain and Add the Suffix I.E.J. which denotes that an Integral Expansion Joint is desired.



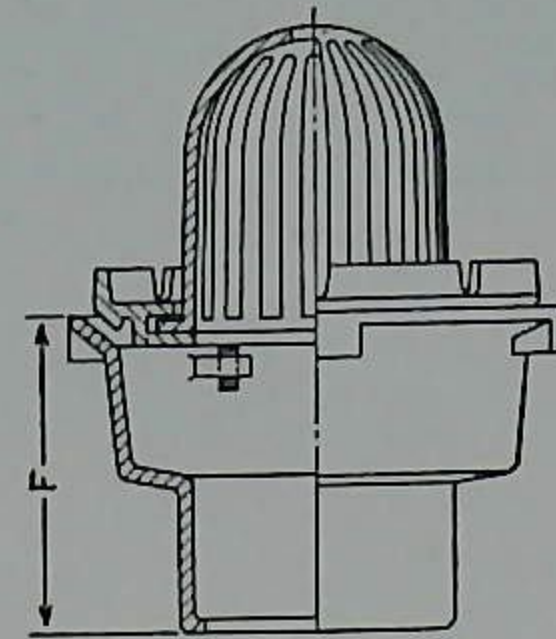
No. 1105 I.E.J.
No. 1105 Roof Drain equipped
with Integral Expansion Joint

AMERICAN SEEP-PROOF ROOF DRAINS

For Wood, Concrete, Gypsum, Precast Slab, Tile and Steel Decks, Gravel, Slag, Tile or Smooth Surface Roofs
 Cast Iron Body with Integral Flange—Anti-Tilting Dome Strainer. Water-Tight
 Clamping Ring and Bronze Bolts. With or without Gravel Guard



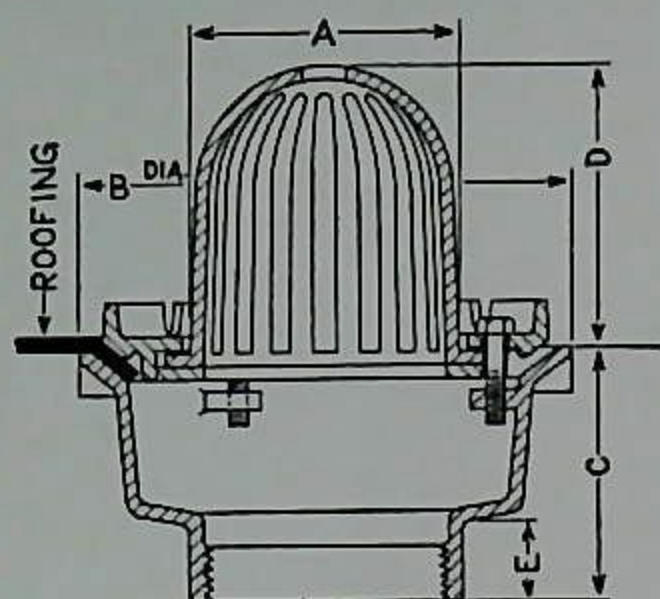
Round Top Flange
 No. 1141 Bottom Outlet



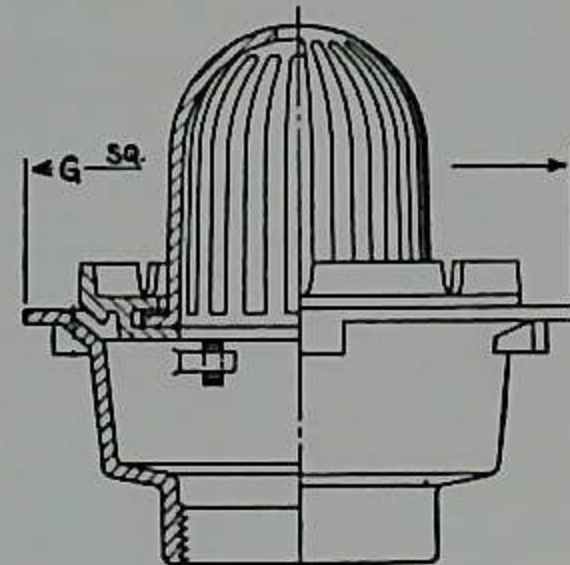
With Hub Outlet
 For Inside Caulking



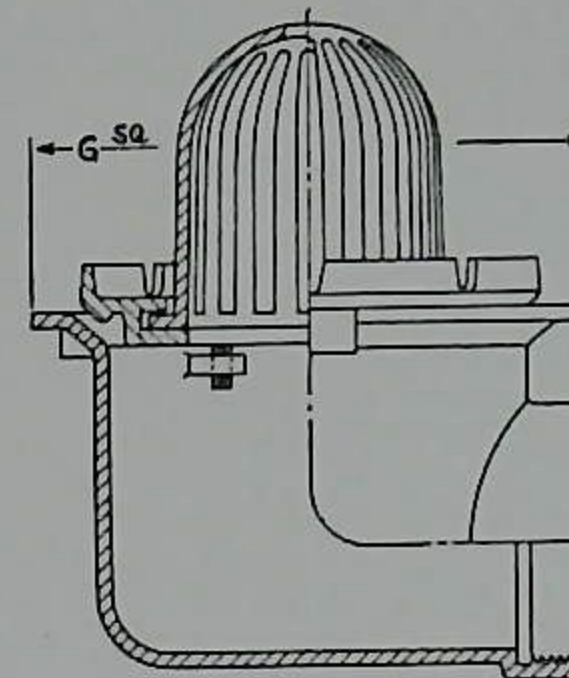
Round Top Flange
 No. 1151 Side Outlet



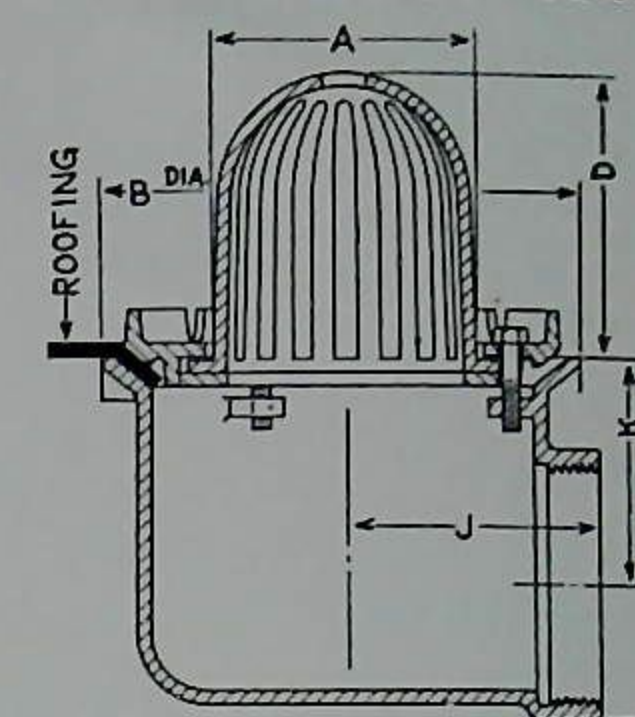
No. 1141 Dimensions



Square Top Flange
 No. 1143 Bottom Outlet



Square Top Flange
 No. 1153 Side Outlet



No. 1151 Dimensions

Narrow Valley Type—Bottom Outlet

Regularly furnished with Gravel Guard—Outlet Threaded Female Iron Pipe. Also furnished without Gravel Guard—Hub Outlet Inside Caulk when specified.

Specifications—Nos. 1141, 1143.
 Dimensions are for Roughing In Only and may vary 1/4 inch.

State Size Outlet	Size Top Flange	Round Top Flange No. 1141							Square Top Flange No. 1143			
		A Inches	B Inches	C Inches	D Inches	E Inches	F Inches	G Inches	Black Cast Iron	Approx. Weight Pounds	Black Cast Iron	Approx. Weight Pounds
2"	8"	4 3/4	8	4 3/4	5 1/4	1 1/2	5 1/2	9	\$ 9.00	14	\$ 9.40	16
3"	8"	4 3/4	8	4 3/4	5 1/4	1 1/2	5 3/4	9	9.00	14	9.40	16
4"	8"	4 3/4	8	4 3/4	5 1/4	1 1/2	6	9	9.00	14	9.40	16
5"	8"	4 3/4	8	4 3/4	5 1/4	1 1/2	6	9	10.00	15	10.50	17

Narrow Valley Type—Side Outlet

Regularly furnished with Gravel Guard—Outlet Threaded Female Iron Pipe. Also furnished without Gravel Guard—Hub Outlet when specified.

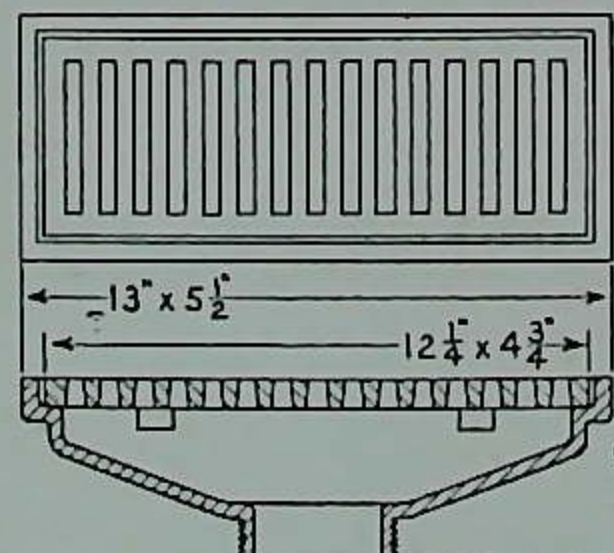
Specifications—Nos. 1151, 1153.
 Dimensions are for Roughing In Only and may vary 1/4 inch.

State Size Outlet	Size Top Flange	Round Top Flange No. 1151							Square Top Flange No. 1153			
		A Inches	B Inches	D Inches	G Inches	H Inches	J Inches	K Inches	Black Cast Iron	Approx. Weight Pounds	Black Cast Iron	Approx. Weight Pounds
2"	8"	4 3/4	8	5 1/4	9	6 1/4	4 3/4	5	\$11.20	19 1/2	\$11.70	21 1/2
3"	8"	4 3/4	8	5 1/4	9	6 1/4	4 3/4	4 1/4	11.20	19 1/2	11.70	21 1/2
4"	8"	4 3/4	8	5 1/4	9	6 1/4	4 3/4	3 3/4	11.20	19 1/2	11.70	21 1/2
5"	8"	4 3/4	8	5 1/4	9	6 1/4	4 3/4	3 1/4	12.50	19 1/2	13.00	21 1/2

List Prices given are for Painted Cast Iron. Can be furnished Galvanized. All Cast Brass, or Combined Iron and Brass, when specified, at additional cost.

American Gutter Drain With Anti-Tilting Loose Grate

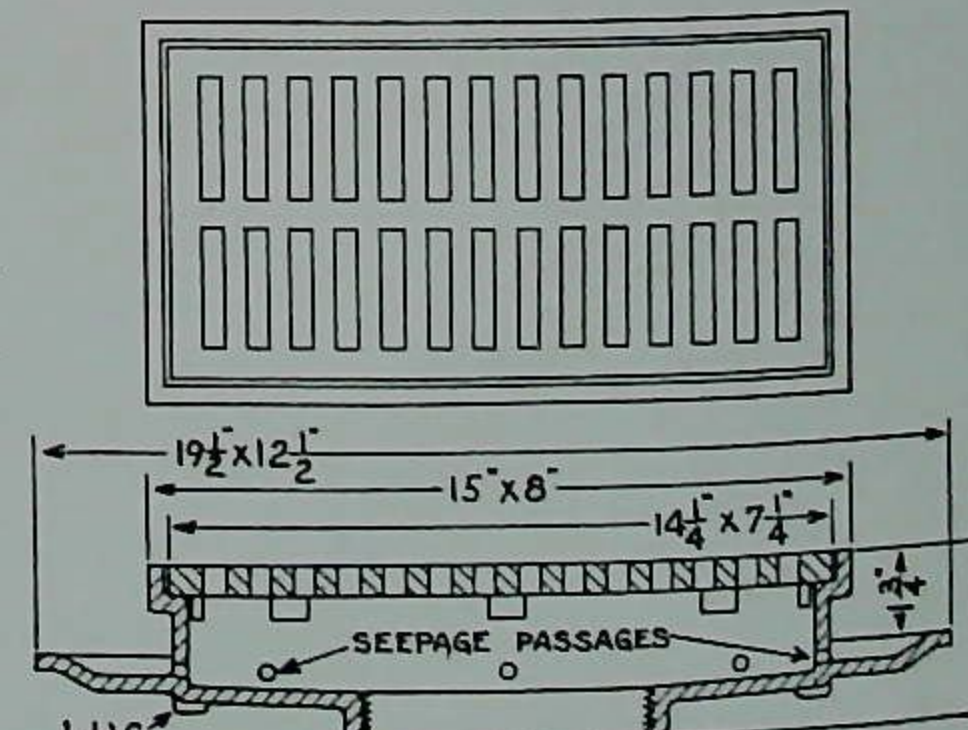
Regularly furnished—Outlet Threaded Iron Pipe Also furnished with Hub Outlet inside Caulk when specified.



No. 1242 Rectangular Top
 Male Threaded Outlet

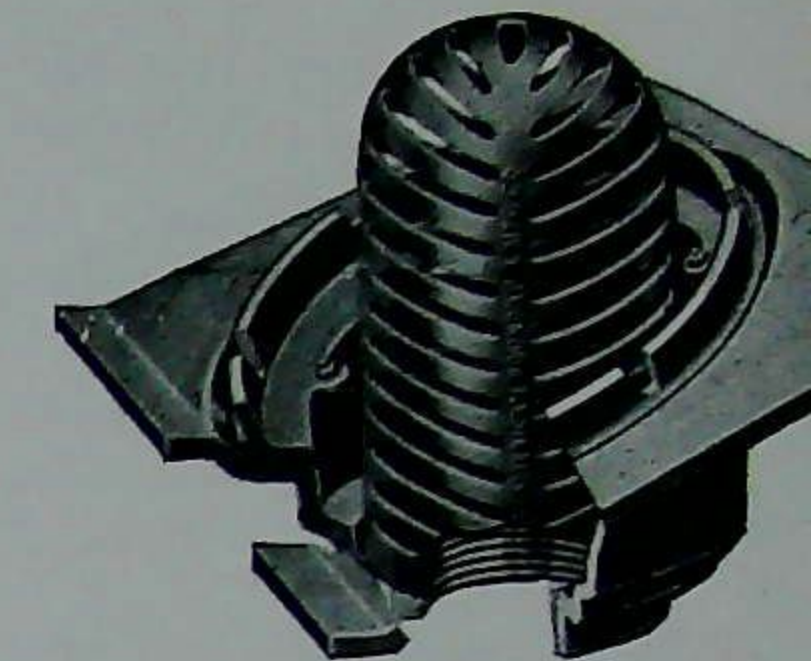
No. 1242 Without Safety Pan				No. 1244 With Safety Pan			
State Size Outlet	Specifications Size Top	Black Cast Iron	Approx. Weight Pounds	State Size Outlet	Specifications Size Top	Black Cast Iron	Approx. Weight Pounds
2"	13" x 5 1/2"	\$7.00	16	2"	15" x 8"	\$13.00	38
3"	13" x 5 1/2"	7.00	16	3"	15" x 8"	13.00	38
4"	13" x 5 1/2"	7.00	16	4"	15" x 8"	13.00	38
				5"	15" x 8"	13.00	38
				6"	15" x 8"	13.00	38

No. 1244 can be furnished with Flashing Connection when specified.
 List Prices given are for Painted Cast Iron. Can be furnished Galvanized. All Cast Brass, or Combined Iron and Brass, Also Chromium Plated Finish or White Metal Top, when specified, at additional cost.



No. 1244 Rectangular Top
 Female Threaded Outlet

For Wood, Concrete, Gyp



No. 1175

Saw Tooth Type—Bottom Outlet

Regularly furnished—Outlet

Specifications—No. 1175.
 Dimensions are for Roughing In

State Size Outlet	Size Top Flange	A Inches
2"	14 1/4"	14 1/4"
3"	14 1/4"	14 1/4"
4"	14 1/4"	14 1/4"
5"	16"	16"
6"	16"	16"

List Prices given are for Painted Cast Iron. Can be furnished Galvanized. All Cast Brass, or Combined Iron and Brass, when specified, at additional cost.

Cornice or Balcony

With Removal
 Can



No. 1161 90° Outlet

Regularly furnished All Brass
 furnished with Flat or Bee Hive

Specifications—No. 1161.
 Dimensions are for Roughing In

State Size Outlet	State Size Top	A Inches	B Inches
2"	4 1/2"	4 1/2"	2 3/4"
3"	5 3/4"	5 3/4"	3 1/2"
4"	5 3/4"	5 3/4"	3 1/2"

Cornice or Balcony

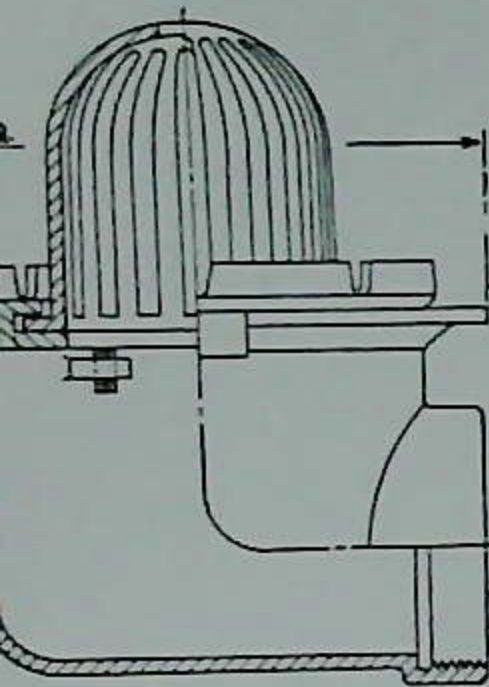
Regularly furnished Cast Iron
 Pipe. Also furnished with Sp

SPECIFICATIONS				LO
State Size Outlet	State Length Body	Size Top Inches	Iron Body Brass Strainer	
2"	8"	4 1/2"	\$8.50	
3"	8"	4 1/2"	9.50	
2"	4"	4 1/2"	
3"	4"	4 1/2"	
2"	2"	4 1/2"	
3"	2"	4 1/2"	

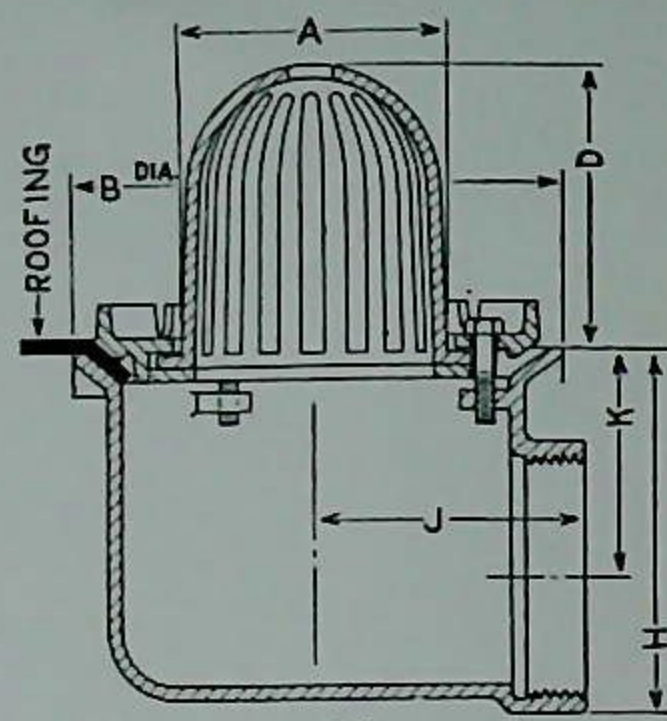
Gravel, Slag, Tile or Smooth Surface Roofs
Dome Strainer. Water-Tight
Without Gravel Guard



Round Top Flange
No. 1151 Side Outlet



Square Top Flange
No. 1153 Side Outlet



No. 1151 Dimensions

Iron Pipe. Also furnished without Gravel Guard—Hub

G Inches	Round Top Flange No. 1141		Square Top Flange No. 1143	
	Black Cast Iron	Approx. Weight Pounds	Black Cast Iron	Approx. Weight Pounds
9	\$ 9.00	14	\$ 9.40	16
9	9.00	14	9.40	16
9	9.00	14	9.40	16
9	10.00	15	10.50	17

Iron Pipe. Also furnished without Gravel Guard—Hub

K Inches	Round Top Flange No. 1151		Square Top Flange No. 1153	
	Black Cast Iron	Approx. Weight Pounds	Black Cast Iron	Approx. Weight Pounds
5	\$11.20	19½	\$11.70	21½
4½	11.20	19½	11.70	21½
3¾	11.20	19½	11.70	21½
3¼	12.50	19½	13.00	21½

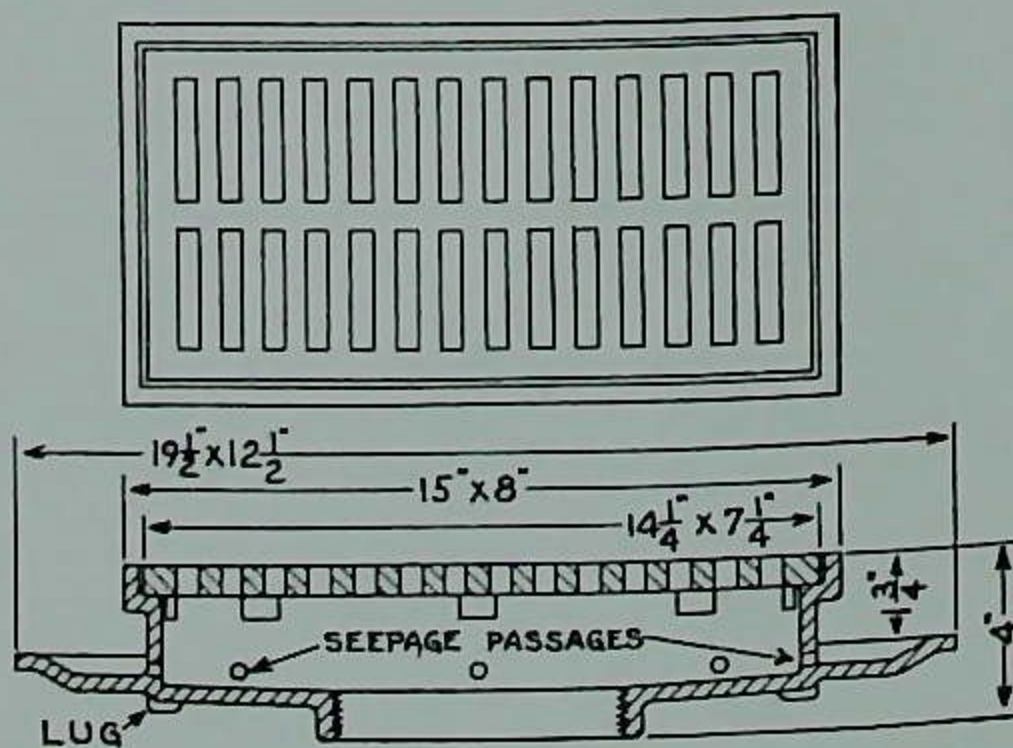
Galvanized. All Cast Brass, or Combined Iron and Brass,

Loose Grate

Iron Pipe Also furnished specified

With Safety Pan

Specifications	Black Cast Iron	Approx. Weight Pounds
15" x 8"	\$13.00	38
15" x 8"	13.00	38
15" x 8"	13.00	38
15" x 8"	13.00	38
15" x 8"	13.00	38

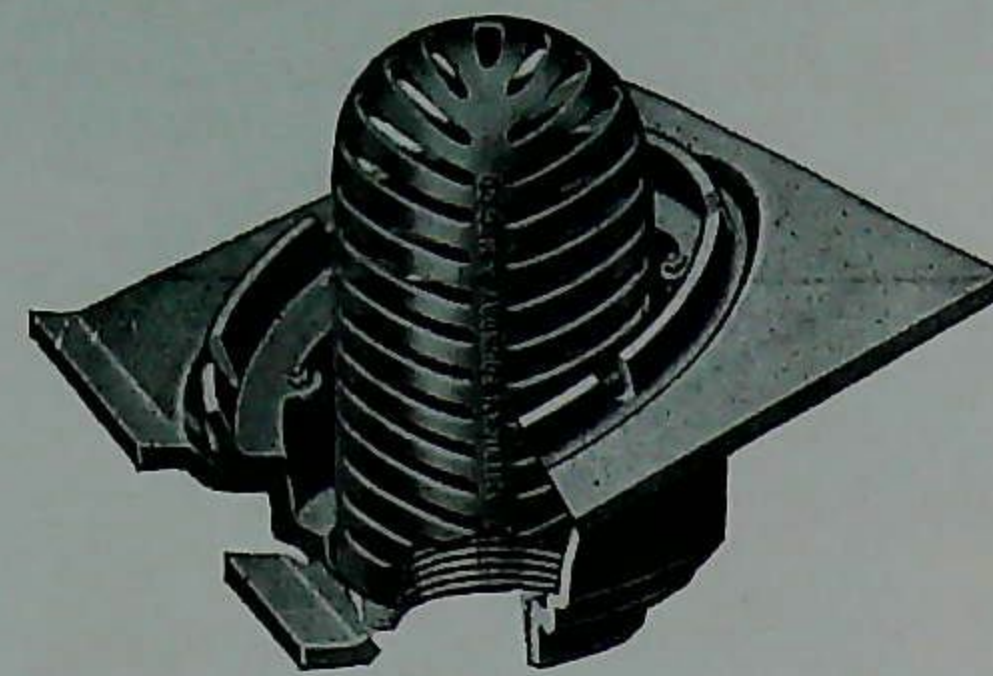


No. 1244 Rectangular Top
Female Threaded Outlet

Iron. Can be furnished Combined Iron and White Metal Top,

AMERICAN SEEP-PROOF ROOF DRAINS

For Wood, Concrete, Gypsum, Precast Slab, Tile and Steel Decks, Gravel, Slag, Tile or Smooth Surface Roofs



No. 1175

Saw Tooth Type—Bottom Outlet

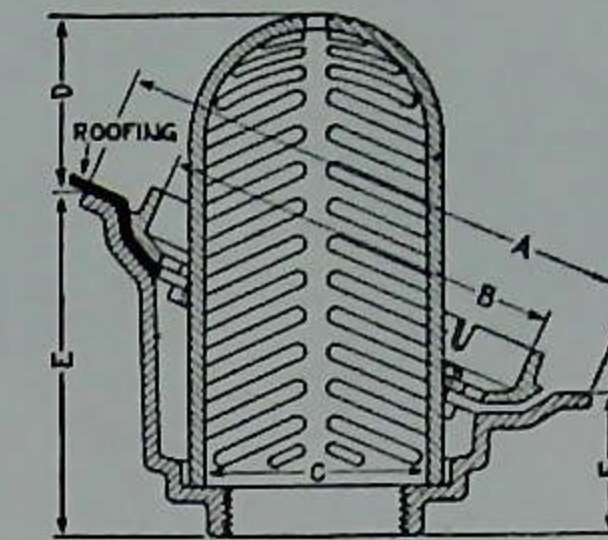
Regularly furnished—Outlet Threaded Female Iron Pipe. Also furnished with Hub Outlet Inside Caulk when specified.

Specifications—No. 1175.

Dimensions are for Roughing In Only and may vary ¼ inch.

State Size Outlet	Size Top Flange	A Inches	B Inches	C Inches	D Inches	E Inches	F Inches	Square Top Flange No. 1175	
								Black Cast Iron	Approx. Weight Pounds
2"	14 ¼"	14 ¼	11 ½	7 ½	4 ½	9	3 ¾	\$19.00	47
3"	14 ¼"	14 ¼	11 ½	7 ½	4 ½	9	3 ¾	19.00	47
4"	14 ¼"	14 ¼	11 ½	7 ½	4 ½	9	3 ¾	19.00	47
5"	16"	16	13	9 ½	4	9 ¾	4	21.00	73
6"	16"	16	13	9 ½	4	9 ¾	4	21.00	98

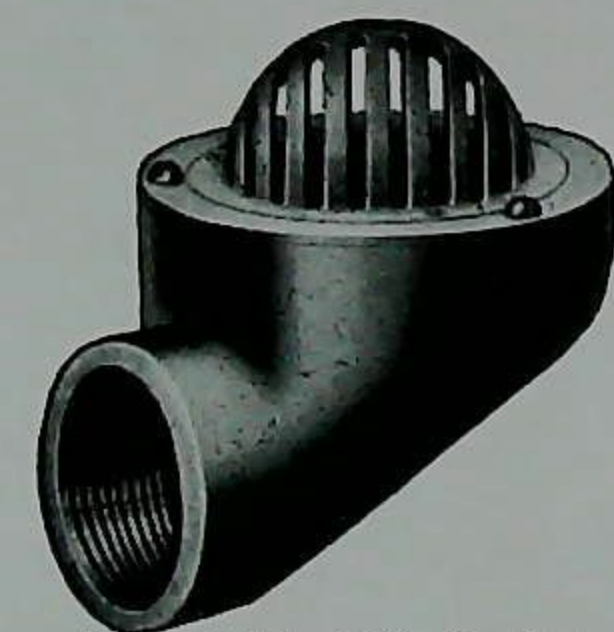
List Prices given are for Painted Cast Iron. Can be furnished Galvanized, All Cast Brass, or Combined Iron and Brass, when specified, at additional cost.



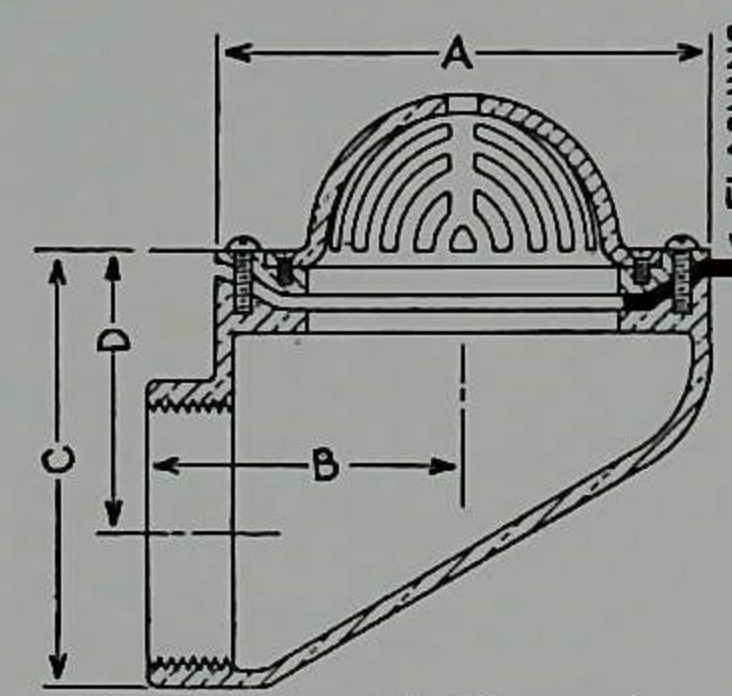
No. 1175 Dimensions

Cornice or Balcony Type—Angle Outlet

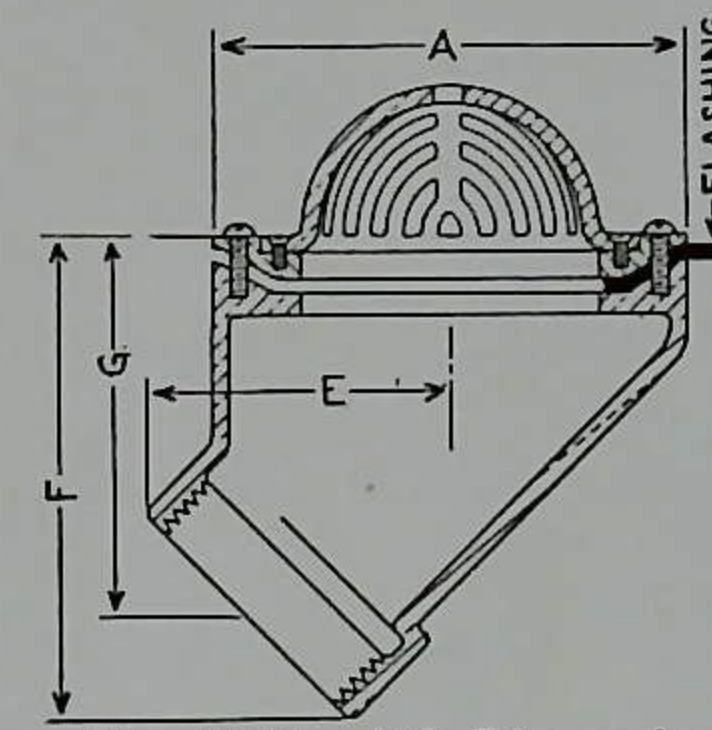
With Removable Brass Dome Strainer—Water-Tight Clamping Ring and Bronze Bolts
Can be Installed with Copper, Sheet Lead or other Metal Flashing



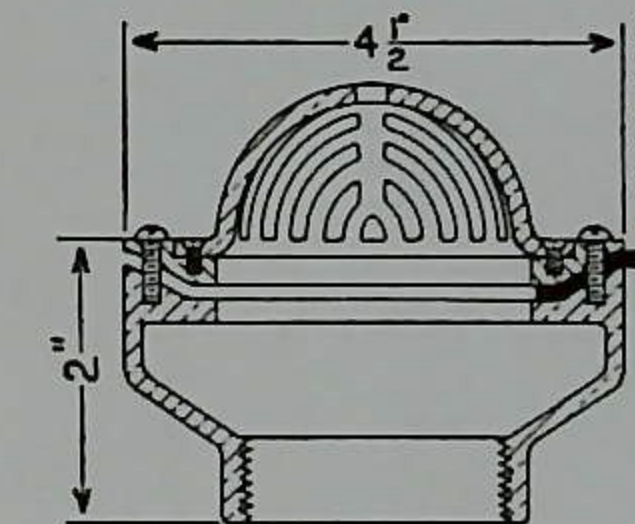
No. 1161 90° Outlet



No. 1161—90° Dimensions



No. 1161—45° Dimensions



No. 1165 Bottom Outlet

Regularly furnished All Brass with Dome Strainer—Outlet Threaded Female Iron Pipe. Also furnished with Flat or Bee Hive Strainer when specified.

Specifications—No. 1161.

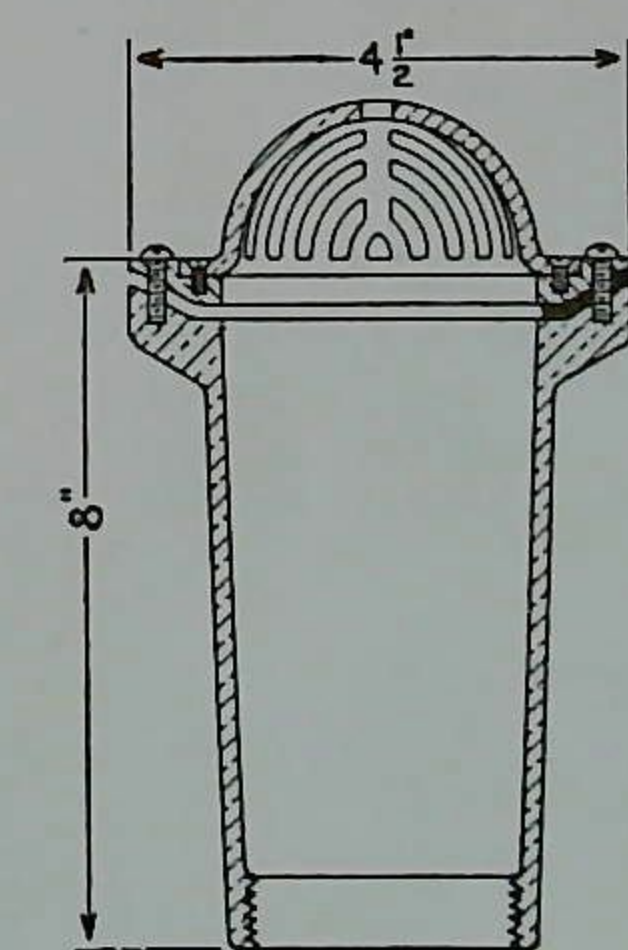
Dimensions are for Roughing In Only and may vary ¼ inch.

State Size Outlet	State Size Top	A Inches	B Inches	C Inches	D Inches	E Inches	F Inches	G Inches	90° or 45° Outlet No. 1161		
									All Brass	Iron Body Brass Strainer	Approx. Weight Pounds
2"	4 ½"	4 ½	2 ¾	4	2 ½	3	4 ¾	3 ¾	\$ 8.00	\$6.00	5
3"	5 ¾"	5 ¾	3 ½	5	3	3 ¼	5 ¼	3 ¾	11.00	7.50	7 ½
4"	5 ¾"	5 ¾	3 ½	6	3 ½	3 ¼	6 ¼	4 ½	13.00	9.00	9

Cornice or Balcony Type—Straight Outlet

Regularly furnished Cast Iron Body with Brass Dome Strainer—Outlet Threaded Female Iron Pipe. Also furnished with Spigot Outlet—Flat or Bee Hive Strainer when specified.

SPECIFICATIONS	LONG OUTLET No. 1163			MEDIUM OUTLET No. 1164			SHORT OUTLET No. 1165				
	State Size Outlet	State Length Body	Size Top Inches	Iron Body Brass Strainer	All Brass	Approx. Weight Pounds	Iron Body Brass Strainer	All Brass	Approx. Weight Pounds	Iron Body Brass Strainer	All Brass
2"	8"	4 ½	\$8.50	\$14.00	10	\$....	\$....	..	\$....	\$....	..
3"	8"	4 ½	9.50	15.00	11
2"	4"	4 ½	5.70	10.00	7
3"	4"	4 ½	6.70	11.50	8
2"	2"	4 ½	4.30	7.50	4
3"	2"	4 ½	5.30	8.50	4



No. 1163 Bottom Outlet

List Prices are for All Brass and Combined Iron and Brass. Can be furnished Galvanized. Also Chrom. Plated Finish or White Metal Dome Strainer.

AMERICAN SEEP-PROOF ROOF DRAINS

For Concrete, Tile Mosaic, Terrazzo, Mastic and other Composition Floors,
Showers, Urinal Stalls, Gutters and Receptors.

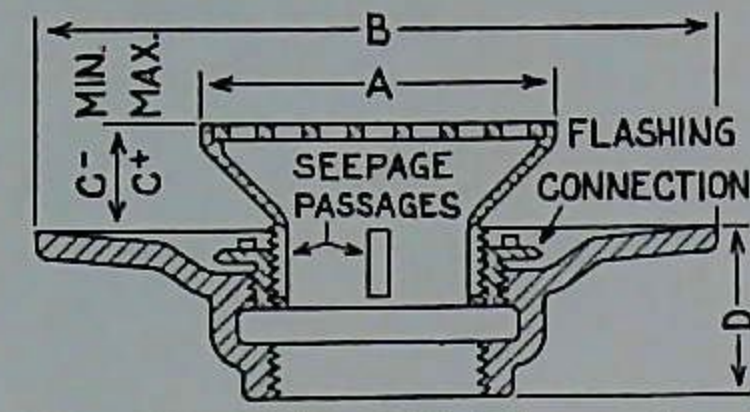


Without Flashing Connection
No. 930 Bottom Outlet
No. 950 Side Outlet

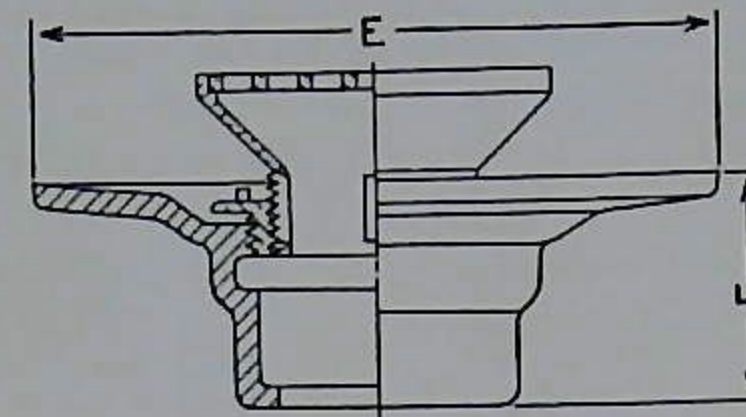
Cast Iron Body
Cast Brass Adjustable Head
with Removable Strainer



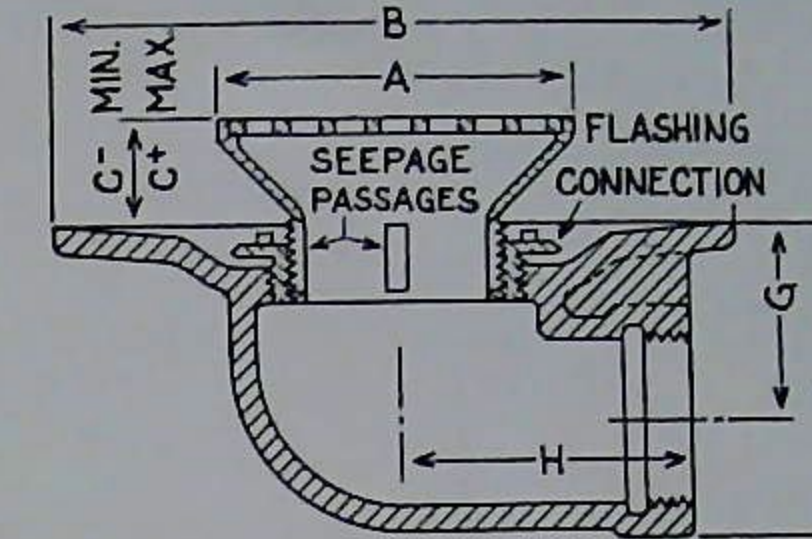
With Flashing Connection
No. 940 Bottom Outlet
No. 960 Side Outlet



No. 930—No. 940 Dimensions



With Hub Outlet for
Inside Caulking



No. 950—No. 960 Dimensions

Plain Type—Bottom Outlet

Regularly furnished with Fig. 200 Strainer Head—Outlet Threaded Female Iron Pipe. Also furnished with Hub outlet inside Caulk when specified.

Specifications—Nos. 930, 940.
Dimensions are for Roughing In Only and may vary 1/4 inch.

State Size Outlet	State Size Strainer	A Inches	B Inches	C— Inches	C+ Inches	D Inches	E Inches	F Inches	Without Flashing Connection, No. 930		With Flashing Connection, No. 940	
									Cast Iron Body, Pol. Br. or N. P. Strainer	Approx. Weight, Pounds	Cast Iron Body, Pol. Br. or N. P. Strainer	Approx. Weight, Pounds
1 1/2"	*4"	4 1/2	10	1 1/4	2 1/4	2 1/2	11	...	\$ 6.50	6 1/2	\$ 7.50	7 1/2
1 1/2"	5"	5 1/2	10	1 1/4	2 1/4	2 1/2	11	...	7.50	7	8.50	8
1 1/2"	6"	6 1/2	10	1 1/4	2 1/4	2 1/2	11	...	9.00	7 1/2	10.00	8 1/2
2"	*4"	4 1/2	10	1 1/4	2 1/4	2 1/2	11	4	6.50	6 1/2	7.50	7 1/2
2"	5"	5 1/2	10	1 1/4	2 1/4	2 1/2	11	4	7.50	7	8.50	8
2"	6"	6 1/2	10	1 1/4	2 1/4	2 1/2	11	4	9.00	7 1/2	10.00	8 1/2
3"	4"	4 1/2	10	1 1/4	2 1/4	2 3/4	11	4 1/4	8.00	9	9.00	10
3"	*5"	5 1/2	10	1 1/4	2 1/4	2 3/4	11	4 1/4	9.00	10	10.00	11
3"	6"	6 1/2	10	1 1/4	2 1/4	2 3/4	11	4 1/4	10.50	10 1/2	11.50	11 1/2
3"	7"	7 1/2	10	1 1/4	2 1/4	2 3/4	11	4 1/4	12.00	11 1/2	13.00	12 1/2
3"	8"	8 1/2	10	1 1/4	2 1/4	2 3/4	11	4 1/4	13.50	12 1/2	14.50	13 1/2
4"	5"	5 1/2	11	1 1/4	2 1/4	3	12	4 1/2	10.00	13	11.00	14 1/2
4"	*6"	6 1/2	11	1 1/4	2 1/4	3	12	4 1/2	11.50	13 1/2	12.50	15
4"	7"	7 1/2	11	1 1/4	2 1/4	3	12	4 1/2	13.00	14 1/2	14.00	16
4"	8"	8 1/2	11	1 1/4	2 1/4	3	12	4 1/2	14.50	15 1/2	15.50	17
4"	10"	10 1/2	11	1 1/4	2 1/4	3	12	4 1/2	17.50	18	18.50	19 1/2

Plain Type—Side Outlet

Regularly furnished with Fig. 200 Strainer Head—Outlet Threaded Female Iron Pipe. Also furnished with Hub Outlet when specified.

Specifications—Nos. 950, 960.
Dimensions are for Roughing In Only and may vary 1/4 inch.

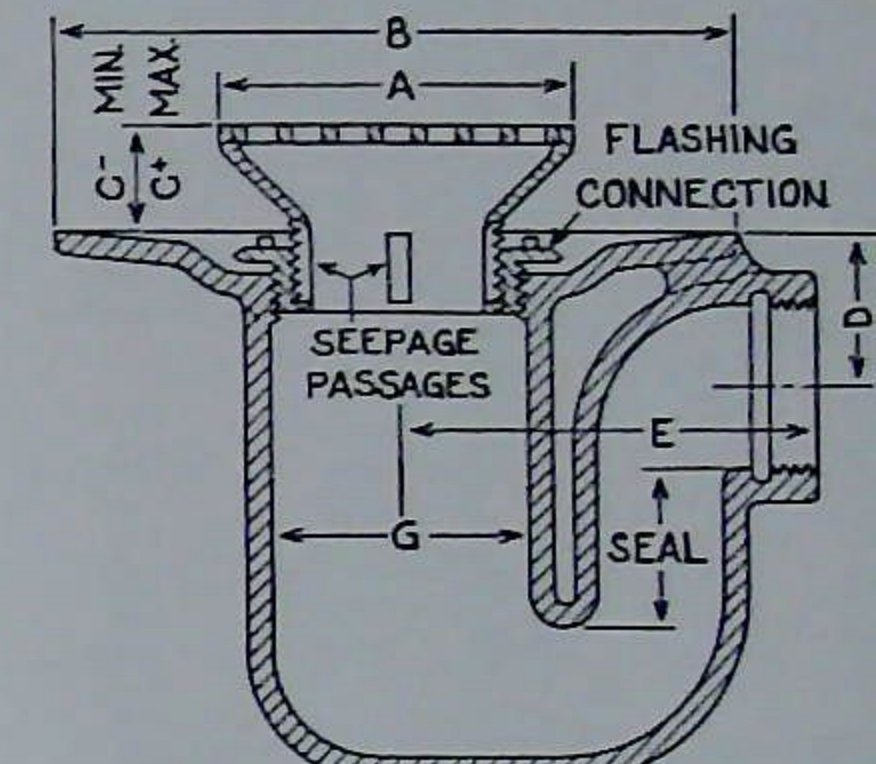
State Size Outlet	State Size Strainer	A Inches	B Inches	C— Inches	C+ Inches	G Inches	H Inches	J Inches	Without Flashing Connection, No. 950		With Flashing Connection, No. 960	
									Cast Iron Body, Pol. Br. or N. P. Strainer	Approx. Weight, Pounds	Cast Iron Body, Pol. Br. or N. P. Strainer	Approx. Weight, Pounds
1 1/2"	*4"	4 1/2	8 1/2	1 1/4	2 1/4	2 3/4	3 1/2	4	\$ 8.00	10	\$ 9.00	11
2"	*4"	4 1/2	8 1/2	1 1/4	2 1/4	2 1/2	3 1/2	4	8.00	10	9.00	11
3"	*5"	5 1/2	10	1 1/4	2 1/4	3	4 1/4	5	11.00	12	12.00	13
3"	6"	6 1/2	10	1 1/4	2 1/4	3	4 1/4	5	12.50	12 1/2	13.50	13 1/2
3"	7"	7 1/2	10	1 1/4	2 1/4	3	4 1/4	5	14.00	13	15.00	14
4"	*6"	6 1/2	11	1 1/4	2 1/4	3 1/2	4 3/4	6	14.50	15	15.50	16
4"	7"	7 1/2	11	1 1/4	2 1/4	3 1/2	4 3/4	6	16.00	16	17.00	17

*Designates Size of Strainer regularly furnished unless otherwise specified. Strainer Heads can be furnished to fit all standard makes of receptors.

List Prices given are for Plain Cast Iron Body. Can be furnished Galvanized, or All Cast Brass, also Chrom. Plated or White Metal Strainer Heads, when specified, at additional cost.



Without Flashing
Connection
No. 934 Deep Pattern
No. 936 Shallow Pattern



No. 934—No. 944 Dimensions
Drains Equipped with I

Combined Drain and

Regularly furnished with Fig. 200 Strainer Head—Outlet Threaded Female Iron Pipe. Also furnished with Hub Outlet when specified.

SPECIFICATIONS—Nos. 934, 936,
Dimensions are for Roughing In

State Size Outlet	State Size Strainer	A Inches	B Inches	C— Inches	Without Flashing Connection, No. 950		With Flashing Connection, No. 960	
					Cast Iron Body, Pol. Br. or N. P. Strainer	Approx. Weight, Pounds	Cast Iron Body, Pol. Br. or N. P. Strainer	Approx. Weight, Pounds
1 1/2"	*4"	4 1/2	10	1 1/4	
1 1/2"	5"	5 1/2	10	1 1/4	
1 1/2"	6"	6 1/2	10	1 1/4	
2"	*4"	4 1/2	10	1 1/4	
2"	5"	5 1/2	10	1 1/4	
2"	6"	6 1/2	10	1 1/4	
3"	*5"	5 1/2	10	1 1/4	
3"	6"	6 1/2	10	1 1/4	
3"	7"	7 1/2	10	1 1/4	
3"	8"	8 1/2	10	1 1/4	
4"	5"	5 1/2	11	1 1/4	
4"	*6"	6 1/2	11	1 1/4	
4"	7"	7 1/2	11	1 1/4	
4"	8"	8 1/2	11	1 1/4	
4"	10"	10 1/2	11	1 1/4	

*Designates Size of Strainer regularly furnished unless otherwise specified.

List Prices given are for Plain Cast Iron Body. Can be furnished Galvanized, or All Cast Brass, also Chrom. Plated or White Metal Strainer Heads, when specified, at additional cost.

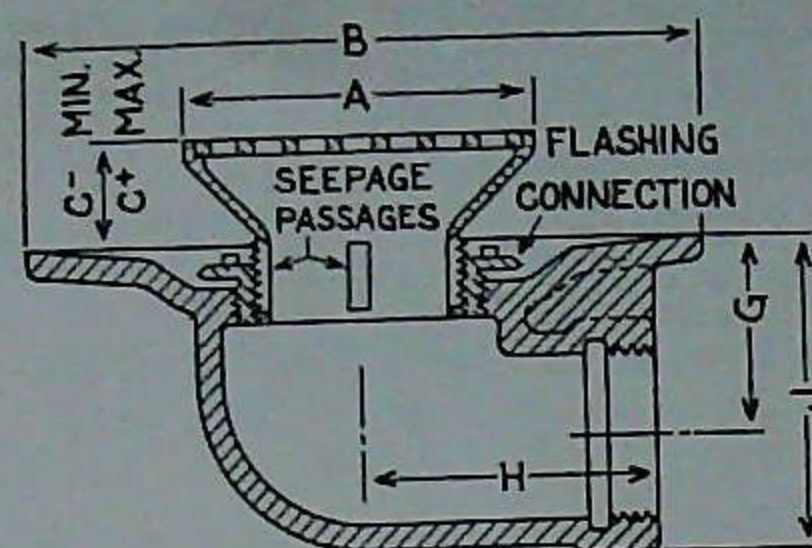
F DRAINS

ic and other Composition Floors,
sters and Receptors.

y
le Head
rainer



With Flashing Connection
No. 940 Bottom Outlet
No. 960 Side Outlet



No. 950—No. 960 Dimensions

et for
ing

nd Female Iron Pipe. Also furnished with Hub outlet inside

E Inches	F Inches	Without Flashing Connection, No. 930		With Flashing Connection, No. 940	
		Cast Iron Body, Pol. Br. or N. P. Strainer	Approx. Weight, Pounds	Cast Iron Body, Pol. Br. or N. P. Strainer	Approx. Weight, Pounds
11	...	\$ 6.50	6½	\$ 7.50	7½
11	...	7.50	7	8.50	8
11	...	9.00	7½	10.00	8½
11	4	6.50	6½	7.50	7½
11	4	7.50	7	8.50	8
11	4	9.00	7½	10.00	8½
11	4¼	8.00	9	9.00	10
11	4¼	9.00	10	10.00	11
11	4¼	10.50	10½	11.50	11½
11	4¼	12.00	11½	13.00	12½
11	4¼	13.50	12½	14.50	13½
12	4½	10.00	13	11.00	14½
12	4½	11.50	13½	12.50	15
12	4½	13.00	14½	14.00	16
12	4½	14.50	15½	15.50	17
12	4½	17.50	18	18.50	19½

aded Female Iron Pipe. Also furnished with Hub Outlet

H Inches	J Inches	Without Flashing Connection, No. 950		With Flashing Connection, No. 960	
		Cast Iron Body, Pol. Br. or N. P. Strainer	Approx. Weight, Pounds	Cast Iron Body, Pol. Br. or N. P. Strainer	Approx. Weight, Pounds
3½	4	\$ 8.00	10	\$ 9.00	11
3½	4	8.00	10	9.00	11
4¼	5	11.00	12	12.00	13
4¼	5	12.50	12½	13.50	13½
4¼	5	14.00	13	15.00	14
4¾	6	14.50	15	15.50	16
4¾	6	16.00	16	17.00	17

Side Outlet Drains can also be furnished with various sizes
Strainers as shown in table for Bottom Outlet Drains.

Galvanized, or All Cast Brass, also Chrom. Plated or White

AMERICAN SEEP-PROOF FLOOR DRAINS

For Concrete, Tile, Mosaic, Terrazzo, Mastic and other Composition Floors,
Showers, Urinal Stalls, Gutters and Receptors.



Cast Iron Body
Cast Brass Adjustable Head
with Removable Strainer

Water Seal
Deep Pattern 2½ Inches
Shallow Pattern 2 Inches



With Flashing
Connection
No. 944 Deep Pattern
No. 946 Shallow Pattern

Without Flashing
Connection
No. 934 Deep Pattern
No. 936 Shallow Pattern

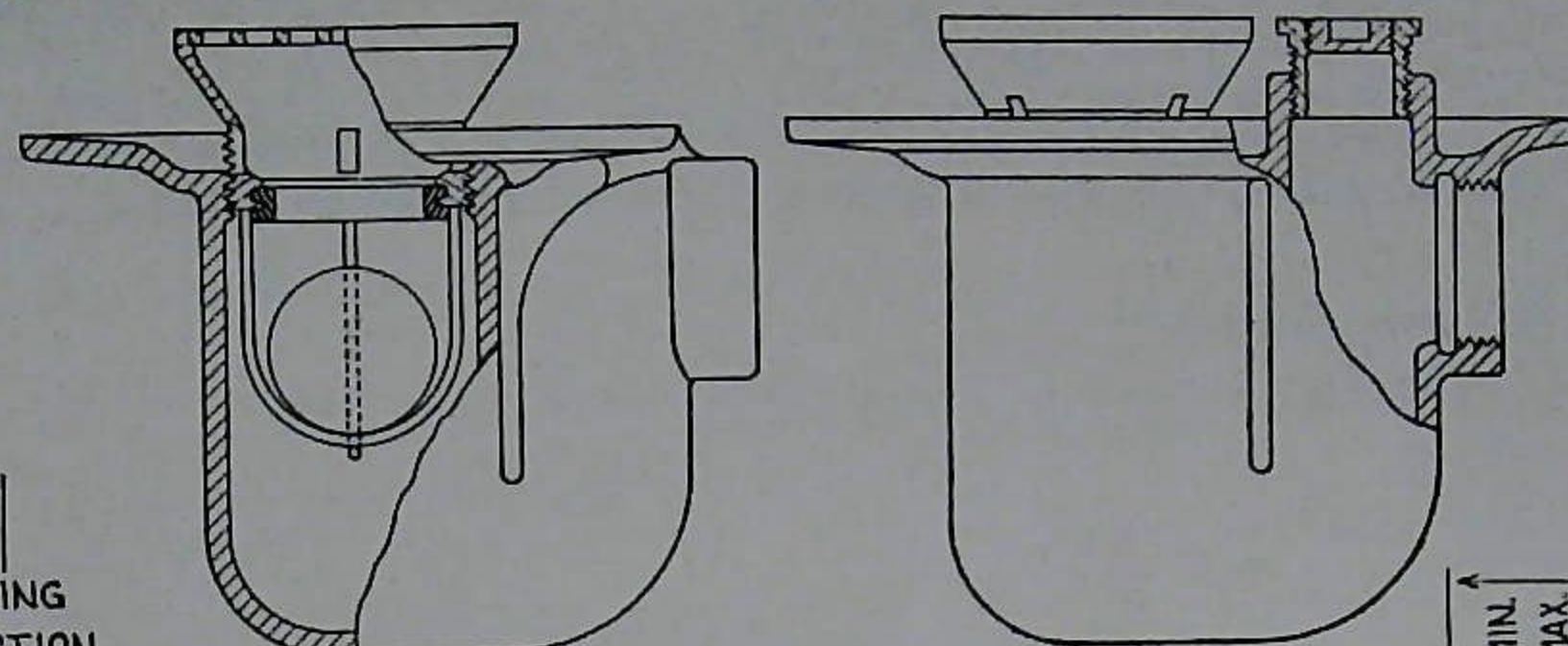
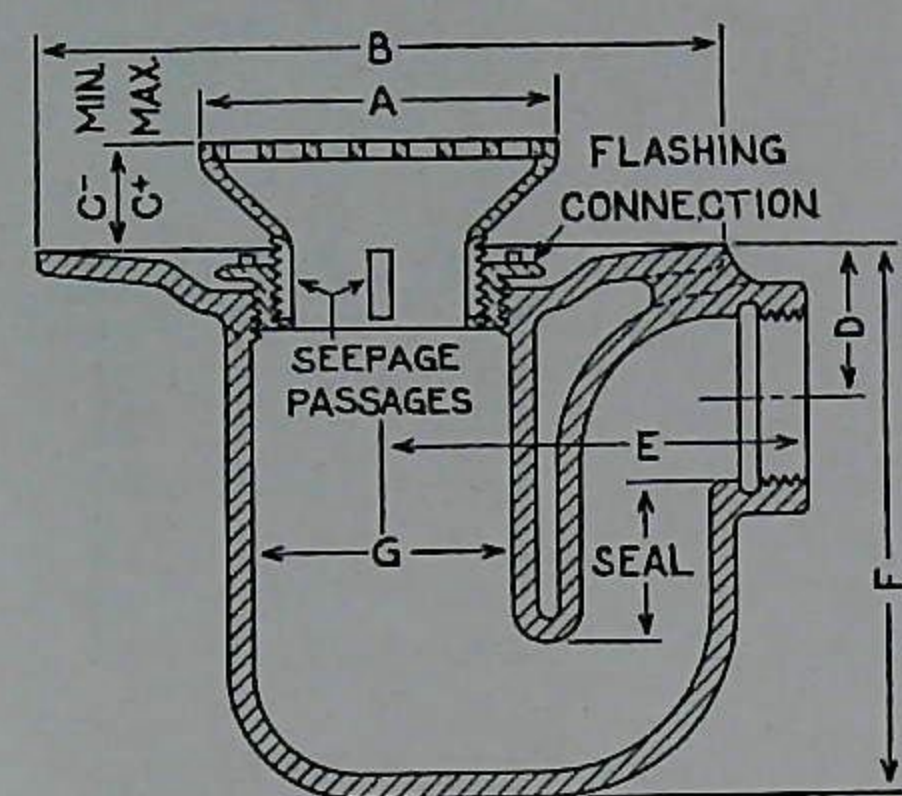


Fig. B. W.

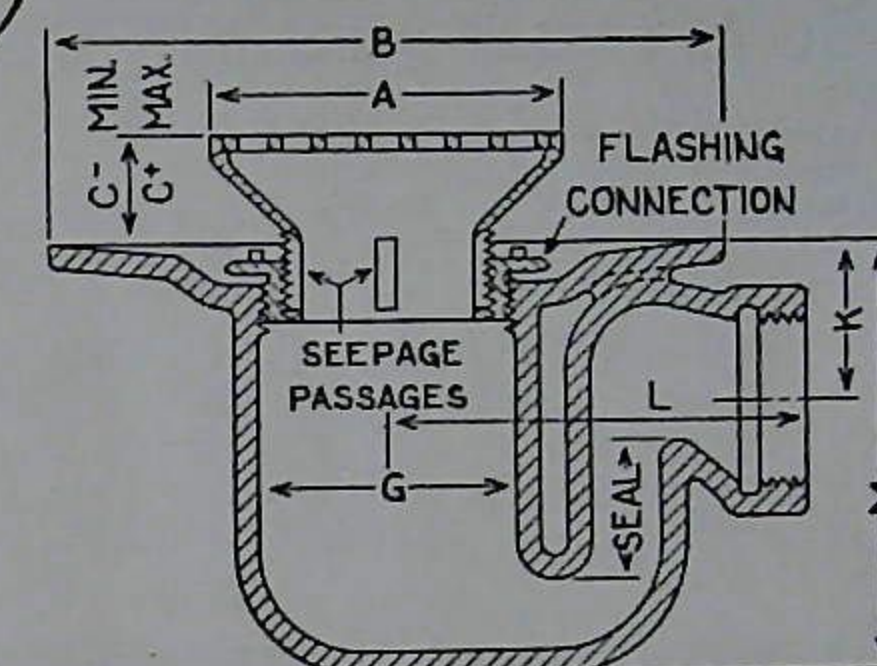
Fig. C. O.

With Removable
Automatic Back Wa-
ter Valve to prevent
Waste Water from
Backing up through
Drain from Discharge
Line.
Back Water Valve
Consists of Copper
Float operating
against a Brass and
Rubber Seat within
Brass Wire Cage.

With Cast Brass
Cleanout to Floor on
Outlet End of Trap.
Cleanout opening
consists of an Ad-
justable Brass Bush-
ing to set flush with
floor, having a Brass
Cleanout Plug.



No. 934—No. 944 Dimensions



No. 936—No. 946 Dimensions

Drains Equipped with Back Water Valve—Cleanout to Floor on Outlet End of Trap at additional cost.

Combined Drain and Trap Type—Deep or Shallow Pattern

Regularly furnished with Fig. 200 Strainer Head—Outlet Threaded Female Iron Pipe. Also furnished with Hub Outlet when specified.

SPECIFICATIONS—Nos. 934, 936, 944, 946.
Dimensions are for Roughing In Only and may vary ¼ inch.

State Size Outlet	State Size Strainer	A Inches	B Inches	C— Inches	C+ Inches	D Inches	E Inches	F Inches	G Inches	K Inches	L Inches	M Inches	Without Flashing Connection No. 934 or No. 936		With Flashing Connection No. 944 or No. 946	
													Cast Iron Body, Pol. Br. or N. P. Strainer	Approx. Weight Pounds	Cast Iron Body, Pol. Br. or N. P. Strainer	Approx. Weight Pounds
1½"	*4"	4½	10	1¼	2¼	1½	5½	6¾	4	2	6½	5½	\$12.00	17	\$13.00	17½
1½"	5"	5½	10	1¼	2¼	1½	5½	6¾	4	2	6½	5½	13.00	17½	14.00	18
1½"	6"	6½	10	1¼	2¼	1½	5½	6¾	4	2	6½	5½	14.50	18	15.50	18½
2"	*4"	4½	10	1¼	2¼	1¾	6	7½	4	1¾	6½	5½	12.00	18½	13.00	19½
2"	5"	5½	10	1¼	2¼	1¾	6	7½	4	1¾	6½	5½	13.00	19	14.00	20
2"	6"	6½	10	1¼	2¼	1¾	6	7½	4	1¾	6½	5½	14.50	19½	15.50	20½
3"	*5"	5½	10	1¼	2¼	2½	7½	9¼	4	2¼	8¼	6½	17.00	24½	18.00	25½
3"	6"	6½	10	1¼	2¼	2½	7½	9¼	4	2¼	8¼	6½	18.50	25	19.50	26
3"	7"	7½	10	1¼	2¼	2½	7½	9¼	4	2¼	8¼	6½	20.00	26	21.00	27
3"	8"	8½	10	1¼	2¼	2½	7½	9¼	4	2¼	8¼	6½	21.50	27	22.50	28
4"	5"	5½	11	1¼	2¼	3¼	10½	11	4	21.50	37½	22.50	39
4"	*6"	6½	11	1¼	2¼	3¼	10½	11	4	23.00	38	24.00	39½
4"	7"	7½	11	1¼	2¼	3¼	10½	11	4	24.50	38½	25.50	40
4"	8"	8½	11	1¼	2¼	3¼	10½	11	4	26.00	39½	27.00	41
4"	10"	10½	11	1¼	2¼	3¼	10½	11	4	29.00	42½	30.00	44

*Designates Size of Strainer regularly furnished unless otherwise specified. Strainer Heads can be furnished to fit all stand-
ard makes of receptors.

List Prices given are for Plain Cast Iron Body. Can be furnished Galvanized or All Cast Brass, also Chrom. Plated or White
Metal Strainer Heads, when specified, at additional cost.

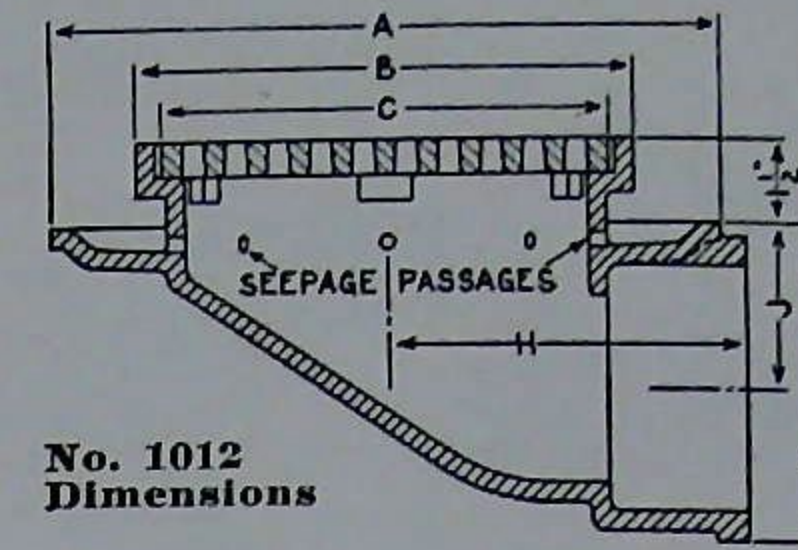
AMERICAN SEEP-PROOF AREA FLOOR DRAINS



For Concrete, Tile, Mosaic, Terrazzo
Mastic and other Composition Floors

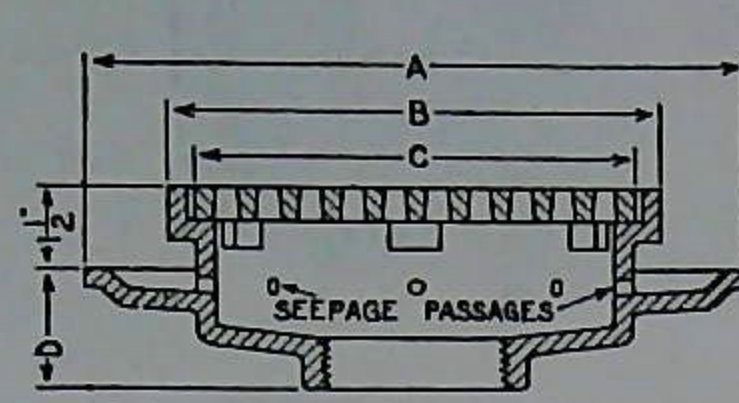
**EXTRA HEAVY
ANTI-TILTING LOOSE GRATE
Without Inside Strainer**

No. 1002 Shallow Pattern Round Top
1005 Deep Pattern Round Top
1006 Shallow Pattern Square Top
1007 Deep Pattern Square Top

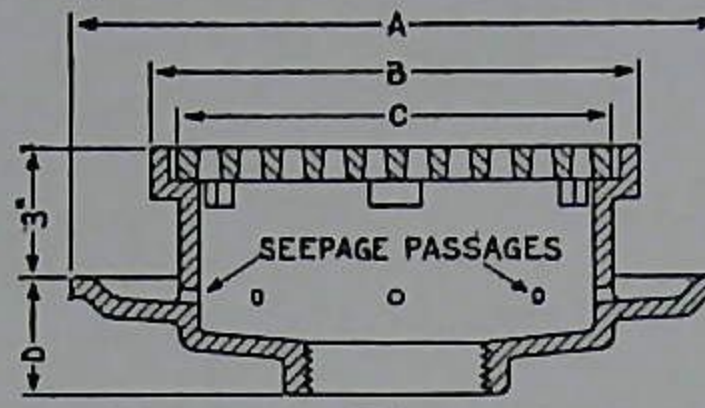


No. 1012
Dimensions

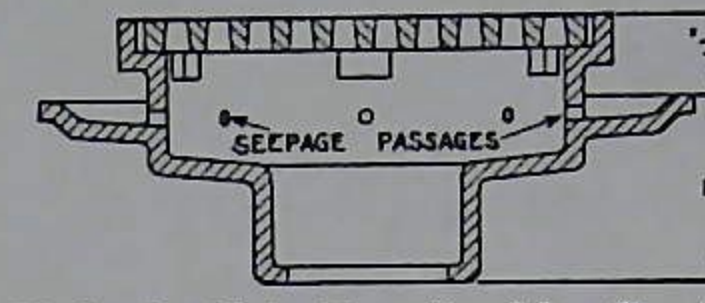
No. 1012 Round Top
1016 Square Top



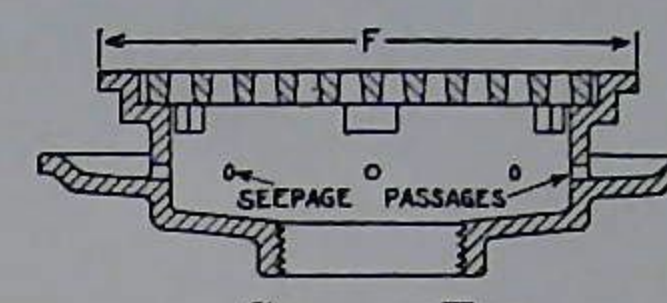
No. 1002 Dimensions



No. 1005 Dimensions



Hub Outlet For Inside Caulking



Square Top

Drains Equipped with Inside Strainer or Sediment Bucket at Additional Cost

Commercial Type—Bottom Outlet

Regularly furnished without Flashing Connection—Outlet Threaded Female Iron Pipe. Also furnished with Hub outlet inside Caulk when specified.

SPECIFICATIONS—Nos. 1002, 1005, 1006, 1007.
Dimensions are for Roughing In Only and may vary 1/4 inch.

State Size Outlet	State Size Grate	A Inches	B Inches	C Inches	D Inches	E Inches	F Inches	Round Top No. 1002 or 1005			Square Top No. 1006 or 1007		
								Black Cast Iron	Brass Top Black Body	Approx. Weight Pounds	Black Cast Iron	Brass Top Black Body	Approx. Weight Pounds
2"	*9 3/4"	14	10 1/2	9 3/4	2 1/2	4 1/2	11 1/2	\$7.00	\$13.50	34	\$ 7.35	\$14.20	34
3"	*9 3/4"	14	10 1/2	9 3/4	3	4 3/4	11 1/2	7.00	\$13.50	34	7.35	14.20	34
4"	*9 3/4"	14	10 1/2	9 3/4	3	5	11 1/2	7.00	13.50	34	7.35	14.20	34
4"	12 1/2"	16 1/2	13 1/4	12 1/2	3	5	14 1/4	13.00	24.00	43	13.65	25.20	43
5"	*12 1/2"	16 1/2	13 1/4	12 1/2	3 1/4	5	14 1/4	13.00	24.00	43	13.65	25.20	43
6"	*12 1/2"	16 1/2	13 1/4	12 1/2	3 1/4	5	14 1/4	13.00	24.00	43	13.65	25.20	43

Commercial Type—Side Outlet

Regularly furnished without Flashing Connection—Hub Outlet for Soil Pipe. Also furnished with Outlet Threaded Female Iron Pipe when specified.

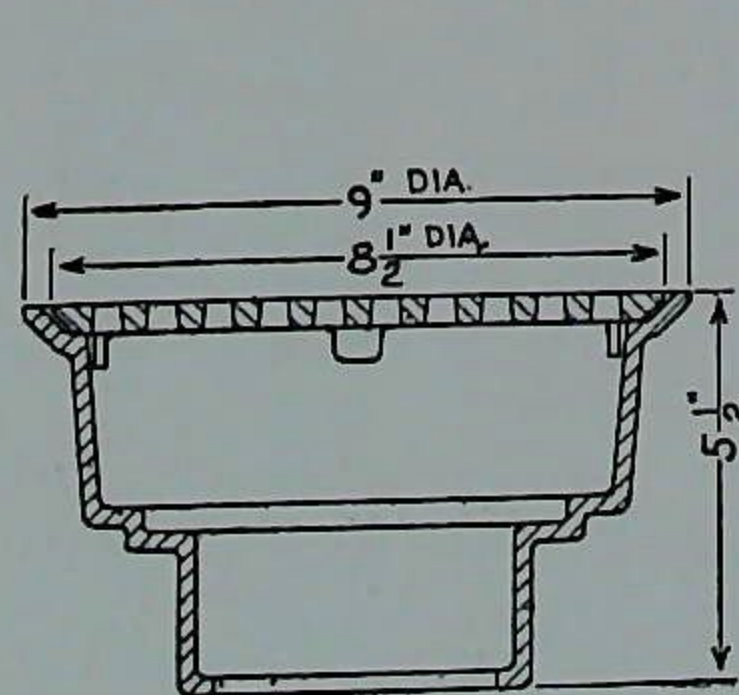
SPECIFICATIONS—Nos. 1012, 1016.
Dimensions are for Roughing In Only and may vary 1/4 inch.

State Size Outlet	State Size Grate	A Inches	B Inches	C Inches	H Inches	J Inches	K Inches	Round Top No. 1012			Square Top No. 1016		
								Black Cast Iron	Brass Top Black Body	Approx. Weight Pounds	Black Cast Iron	Brass Top Black Body	Approx. Weight Pounds
2"	*9 3/4"	14	10 1/2	9 3/4	7 1/4	3 1/4	5 1/2	\$10.00	\$16.50	36	\$10.35	\$17.20	36
3"	*9 3/4"	14	10 1/2	9 3/4	7 1/2	2 3/4	5 1/2	10.00	16.50	39	10.35	17.20	39
4"	*9 3/4"	14	10 1/2	9 3/4	7 3/4	3 1/4	6 1/2	12.00	18.00	44	12.35	18.70	44
4"	12 1/2"	16 1/2	13 1/4	12 1/2	9	3 1/4	6 1/2	22.00	33.00	56	22.65	34.20	56
5"	*12 1/2"	16 1/2	13 1/4	12 1/2	9	4 3/4	8 1/2	22.00	33.00	60	22.65	34.20	60
6"	*12 1/2"	16 1/2	13 1/4	12 1/2	9	4 1/4	8 1/2	22.00	33.00	65	22.65	34.20	65

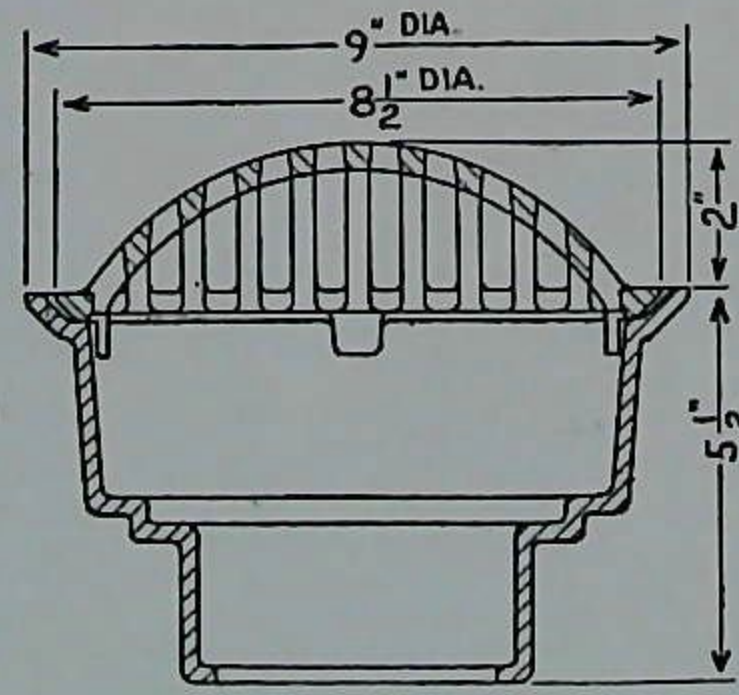
*Designates Diameter of Grate regularly furnished.

Drains equipped with Backwater Valve, Deep Seal P Trap, or Primer Connection, at additional cost.

List Prices given are for Painted Cast Iron and Combined Iron and Brass. Can be furnished Galvanized, or all Cast Brass, also Chrom. Plated Finish or White Metal Top, when specified, at additional cost.



No. 1082 Round Top
With Flat Grate



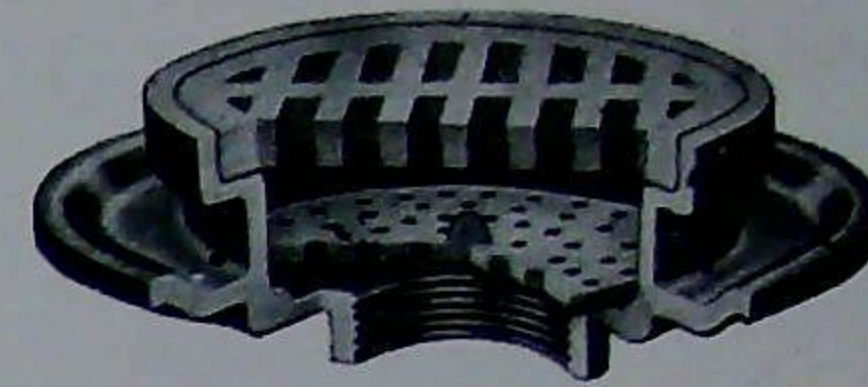
No. 1083 Round Top
With Convex Grate

Cesspool Type—Light Pattern WITH ANTI-TILTING LOOSE GRATE— HUB OUTLET INSIDE CAULK

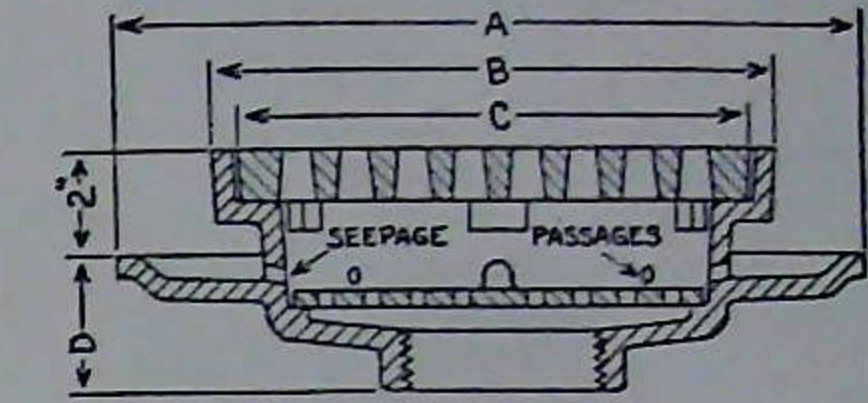
SPECIFICATIONS—Nos. 1082, 1083.

State Size Outlet	State Size Grate	Black Cast Iron	Brass Top Black Body	Approx. Weight Pounds
2"	8 1/2"	\$3.75	\$9.50	12
3"	8 1/2"	3.75	9.50	12
4"	8 1/2"	3.75	9.50	12

List Prices given are for Painted Cast Iron and Combined Iron and Brass. Can be furnished Galvanized or All Cast Brass, also Chrom. Plated Finish or White Metal Top, when specified, at additional cost.



No. 1022 Round Top Bottom Outlet
1024 Square Top Bottom Outlet
1032 Round Top Side Outlet
1036 Square Top Side Outlet



No. 1022 Dimensions

Industrial Type—Bottom

Regularly furnished without Flashing Connection—Hub Outlet inside Caulk when specified.

SPECIFICATIONS—Nos. 1022, 1024.
Dimensions are for Roughing In Only

State Size Outlet	State Size Grate	A Inches	B Inches
2"	*10 3/4"	15 1/4	11 3/4
3"	*10 3/4"	15 1/4	11 3/4
4"	*10 3/4"	15 1/4	11 3/4
4"	13"	17 1/2	14 1/4
5"	*13"	17 1/2	14 1/4
6"	*13"	17 1/2	14 1/4
8"	*13"	17 1/2	14 1/4

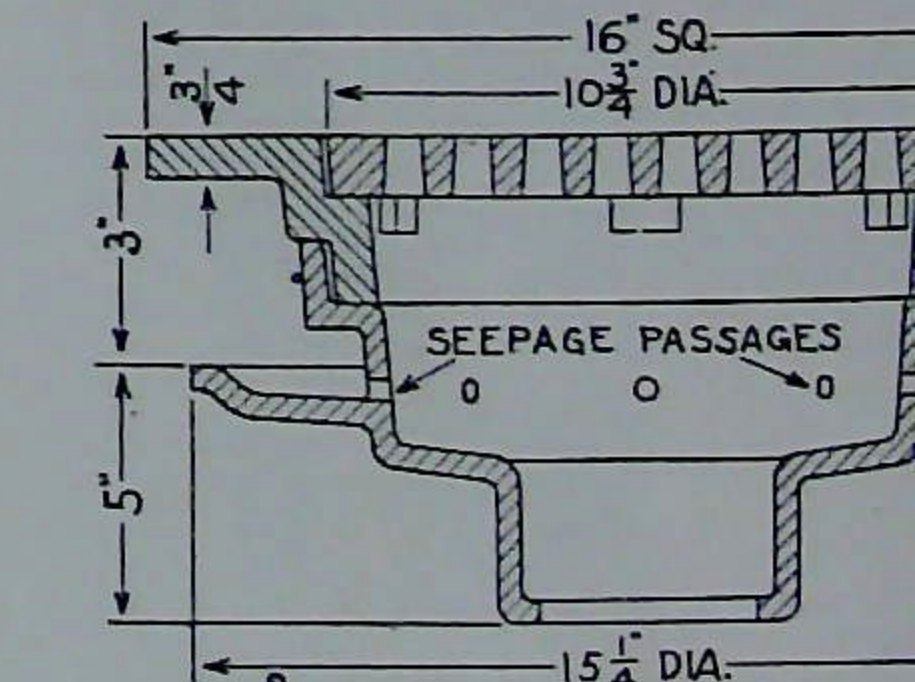
Industrial Type—Side Outlet

Regularly furnished without Flashing Connection—Hub Outlet for Soil Pipe when specified.

SPECIFICATIONS—Nos. 1032, 1036.
Dimensions are for Roughing In Only

State Size Outlet	State Size Grate	A Inches	B Inches
2"	*10 3/4"	15 1/4	11 3/4
3"	*10 3/4"	15 1/4	11 3/4
4"	*10 3/4"	15 1/4	11 3/4
4"	13"	17 1/2	14 1/4
5"	*13"	17 1/2	14 1/4
6"	*13"	17 1/2	14 1/4
8"	*13"	17 1/2	14 1/4

*Designates Diameter of Grate regularly furnished.
Drains Equipped with Backwater Valve, Deep Seal P Trap, or Primer Connection, at additional cost.
NOTE: Low Dome, High Dome, Furnished at Additional Cost.

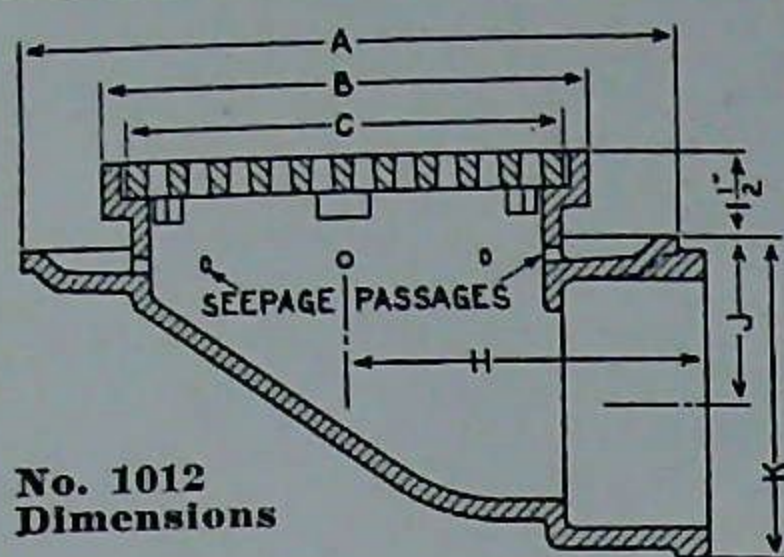


No. 1018
Without Inside Strainer

FLOOR DRAINS

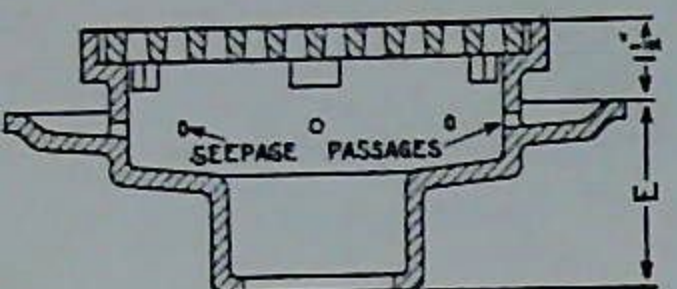
Mosaic, Terrazzo
Composition Floors

HEAVY
LOOSE GRATE
Hub Outlet
Sediment Strainer

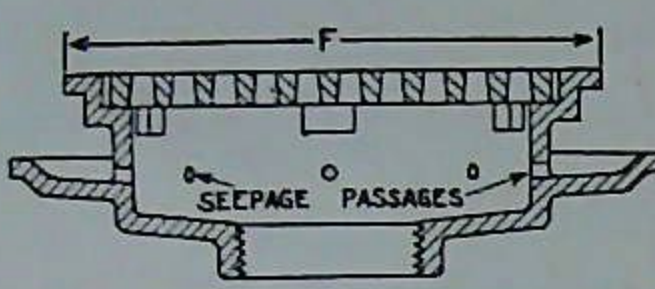


No. 1012
Dimensions

No. 1012 Round Top
1016 Square Top



Hub Outlet For Inside Caulking
Sediment Bucket at Additional Cost



Square Top

Threaded Female Iron Pipe. Also furnished with Hub outlet

F Inches	Round Top No. 1002 or 1005			Square Top No. 1006 or 1007		
	Black Cast Iron	Brass Top Black Body	Approx. Weight Pounds	Black Cast Iron	Brass Top Black Body	Approx. Weight Pounds
1 1/2	\$7.00	\$13.50	34	\$ 7.35	\$14.20	34
1 1/2	7.00	\$13.50	34	7.35	14.20	34
1 1/2	7.00	13.50	34	7.35	14.20	34
1 3/4	13.00	24.00	43	13.65	25.20	43
1 3/4	13.00	24.00	43	13.65	25.20	43
1 3/4	13.00	24.00	43	13.65	25.20	43

for Soil Pipe. Also furnished with Outlet Threaded Female

K Inches	Round Top No. 1012			Square Top No. 1016		
	Black Cast Iron	Brass Top Black Body	Approx. Weight Pounds	Black Cast Iron	Brass Top Black Body	Approx. Weight Pounds
5 1/2	\$10.00	\$16.50	36	\$10.35	\$17.20	36
5 1/2	10.00	16.50	39	10.35	17.20	39
6 1/2	12.00	18.00	44	12.35	18.70	44
6 1/2	22.00	33.00	56	22.65	34.20	56
8 1/2	22.00	33.00	60	22.65	34.20	60
8 1/2	22.00	33.00	65	22.65	34.20	65

List Prices given are for Painted Cast Iron and Combined
Iron and Brass. Can be furnished Galvanized, or all Cast
Iron, also Chrom. Plated Finish or White Metal Top, when
specified, at additional cost.

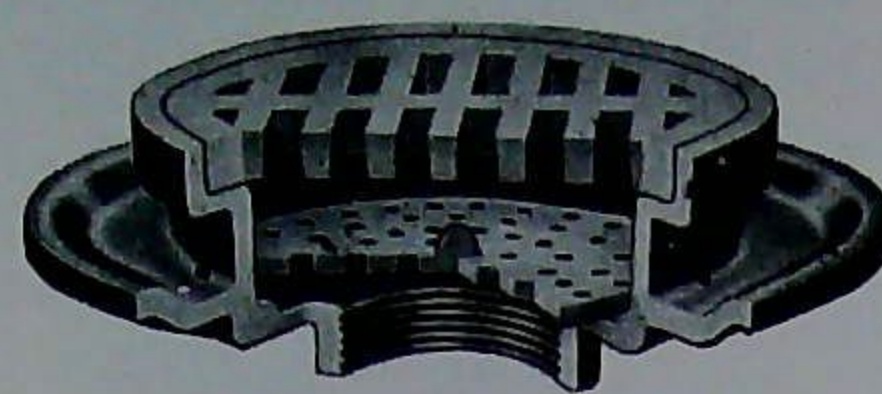
Swamp Type—Light Pattern WITH ANTI-TILTING LOOSE GRATE— HUB OUTLET INSIDE CAULK

SPECIFICATIONS—Nos. 1082, 1083.

State Size Outlet	State Size Grate	Black Cast Iron	Brass Top Black Body	Approx. Weight Pounds
2"	8 1/2"	\$3.75	\$9.50	12
3"	8 1/2"	3.75	9.50	12
4"	8 1/2"	3.75	9.50	12

List Prices given are for Painted Cast Iron and Combined
Iron and Brass. Can be furnished Galvanized or All Cast
Iron, also Chrom. Plated Finish or White Metal Top, when
specified, at additional cost.

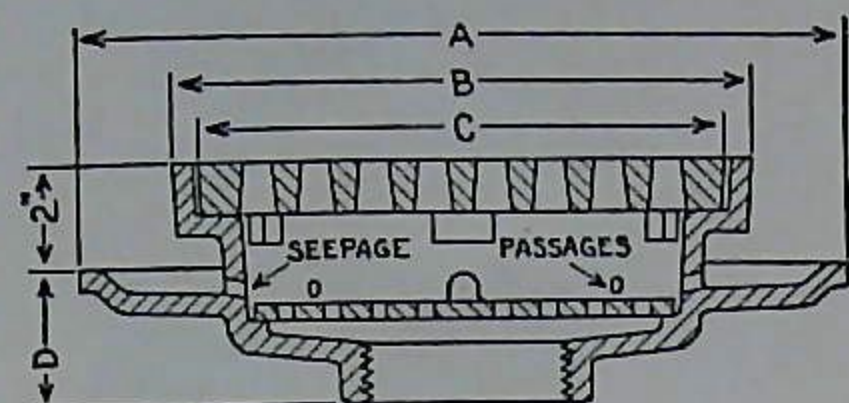
AMERICAN SEEP-PROOF AREA FLOOR DRAINS



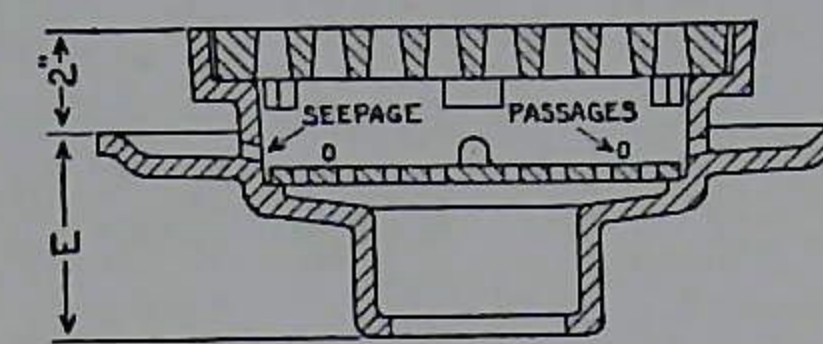
For Concrete, Tile, Mosaic, Terrazzo
Mastic and other Composition Floors

DOUBLE EXTRA HEAVY
ANTI-TILTING LOOSE GRATE
With Inside Strainer

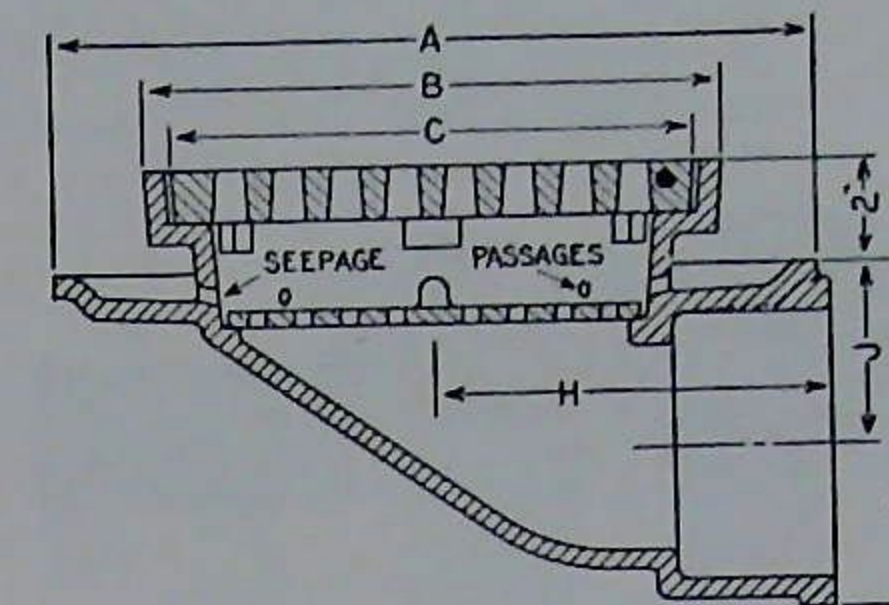
No. 1022 Round Top Bottom Outlet
1024 Square Top Bottom Outlet
1032 Round Top Side Outlet
1036 Square Top Side Outlet



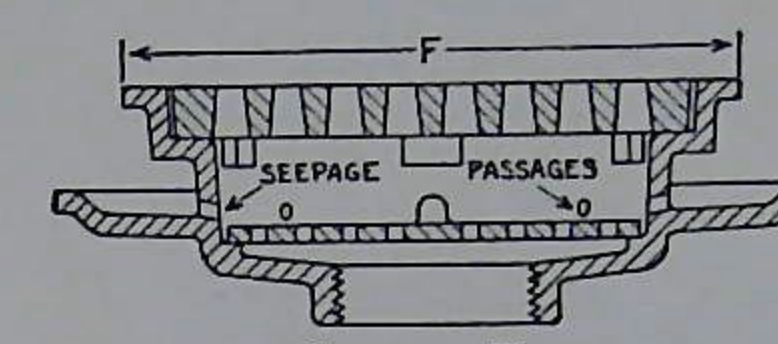
No. 1022 Dimensions



Hub Outlet for Inside Caulking



No. 1032 Dimensions



Square Top

Drains Equipped with Sediment Bucket at additional cost

Industrial Type—Bottom Outlet

Regularly furnished without Flashing Connection—Outlet Threaded Female Iron Pipe. Also furnished with Hub outlet
inside Caulk when specified.

SPECIFICATIONS—Nos. 1022, 1024.

Dimensions are for Roughing In only and may vary 1/4 inch.

State Size Outlet	State Size Grate	A Inches	B Inches	C Inches	D Inches	E Inches	F Inches	ROUND TOP No. 1022			SQUARE TOP No. 1024		
								Black Cast Iron	Brass Top Black Body	Approx. Weight Pounds	Black Cast Iron	Brass Top Black Body	Approx. Weight Pounds
2"	*10 3/4"	15 1/4	11 3/4	10 3/4	3	4 1/2	12 3/4	\$14.50	\$25.50	38	\$15.20	\$26.80	38
3"	*10 3/4"	15 1/4	11 3/4	10 3/4	3 1/4	4 3/4	12 3/4	14.50	25.50	38	15.20	26.80	38
4"	*10 3/4"	15 1/4	11 3/4	10 3/4	3 1/4	5	12 3/4	14.50	25.50	38	15.20	26.80	38
4"	13"	17 1/2	14 1/4	13	3 1/4	5	15 1/4	23.00	43.00	55	24.15	45.15	55
5"	*13"	17 1/2	14 1/4	13	3 1/4	5	15 1/4	24.00	44.00	55	25.15	46.15	55
6"	*13"	17 1/2	14 1/4	13	3 1/4	5	15 1/4	25.00	45.00	55	26.15	47.15	55
8"	*13"	17 1/2	14 1/4	13	3 1/4	5 1/4	15 1/4	28.00	48.00	55	29.15	50.15	55

Industrial Type—Side Outlet

Regularly furnished without Flashing Connection—Hub Outlet for Soil Pipe. Also furnished with Outlet Threaded Female
Iron Pipe when specified.

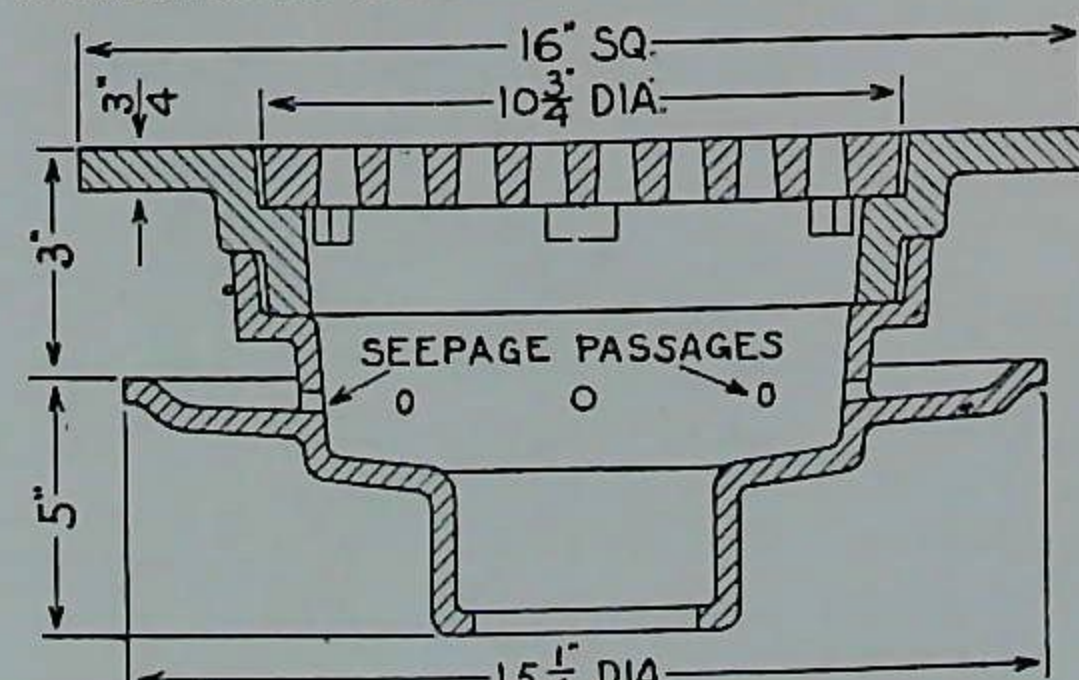
SPECIFICATIONS—Nos. 1032, 1036.

Dimensions are for Roughing In Only and may vary 1/4 inch.

State Size Outlet	State Size Grate	A Inches	B Inches	C Inches	F Inches	H Inches	J Inches	K Inches	ROUND TOP No. 1032			SQUARE TOP No. 1036		
									Black Cast Iron	Brass Top Black Body	Approx. Weight Pounds	Black Cast Iron	Brass Top Black Body	Approx. Weight Pounds
2"	*10 3/4"	15 1/4	11 3/4	10 3/4	12 3/4	7 1/2	3 3/4	6	\$18.10	\$31.85	40	\$18.80	\$33.15	40
3"	*10 3/4"	15 1/4	11 3/4	10 3/4	12 3/4	7 3/4	3 1/4	6	18.10	31.85	51	18.80	33.15	51
4"	*10 3/4"	15 1/4	11 3/4	10 3/4	12 3/4	8	3 3/4	7	18.10	31.85	56	18.80	33.15	56
4"	13"	17 1/2	14 1/4	13	15 1/4	8 1/2	3 3/4	7	28.75	53.75	68	29.90	55.90	68
5"	*13"	17 1/2	14 1/4	13	15 1/4	8 1/2	5 1/4	9	30.00	55.00	72	31.15	57.15	72
6"	*13"	17 1/2	14 1/4	13	15 1/4	8 1/2	4 3/4	9	31.25	56.25	77	32.40	58.40	77
8"	*13"	17 1/2	14 1/4	13	15 1/4	8 3/4	6	11 1/2	35.00	60.00	85	36.15	62.15	85

*Designates Diameter of Grate regularly furnished.
Drains Equipped with Backwater Valve, Deep Seal P Trap,
or Primer Connection, at additional cost.
NOTE: Low Dome, High Dome, Hinged and Locking Grate
Furnished at Additional Cost.

List Prices given are for Painted Cast Iron and Combined
Iron and Brass. Can be furnished Galvanized, or all Cast
Iron, also Chrom. Plated Finish or White Metal Top, when
specified, at additional cost.



No. 1018
Without Inside Strainer

Packing House Type—Without Inside Strainer

Square Top—For Brick Floors

Regularly furnished without Flashing Connection—Hub Outlet inside Caulk.
Also furnished with Outlet Threaded Female Iron Pipe when specified.

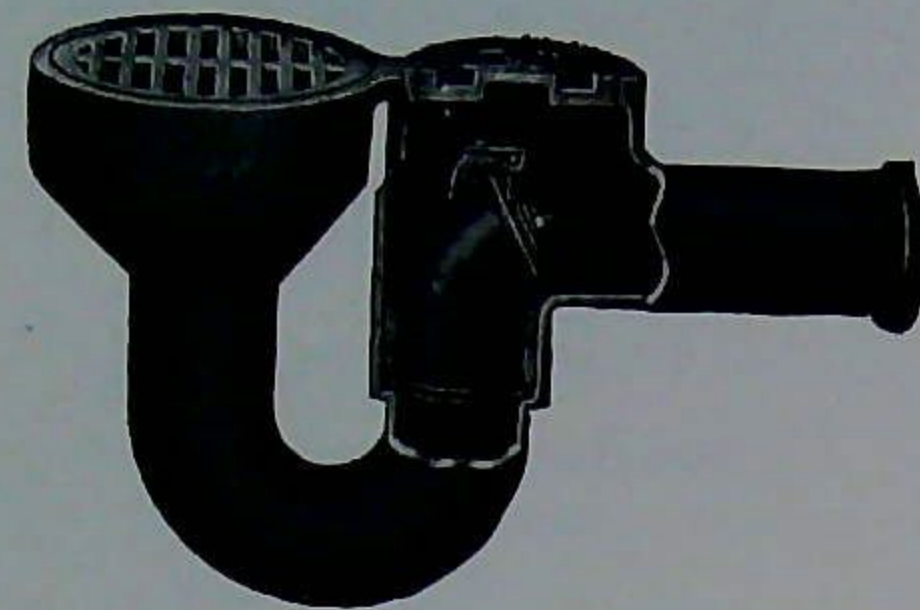
SPECIFICATIONS

State Size Outlet	State Size Grate	Black Cast Iron	Galv. Cast Iron	Approx. Weight Pounds
3"—4"	10 3/4"	\$18.50	\$28.00	90
6"	10 3/4"	19.50	29.00	90

AMERICAN SEEP-PROOF AREA FLOOR DRAINS

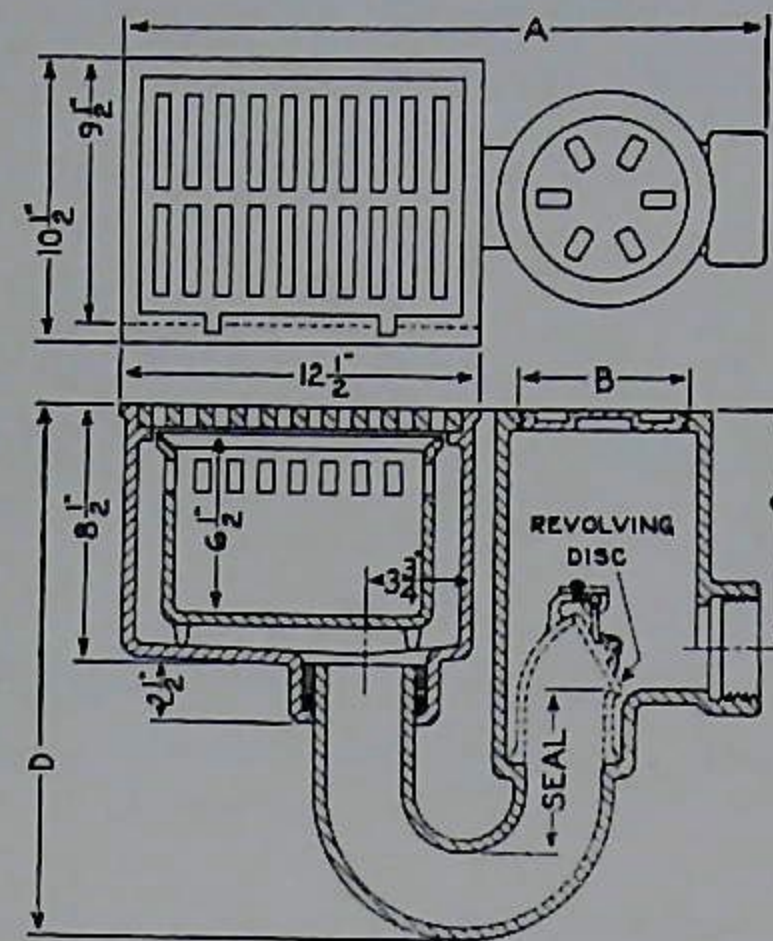
For Concrete, Tile, Mosaic, Terrazzo, Mastic and other Composition Floors

Self Cleansing Trap with or without Back Water Valve

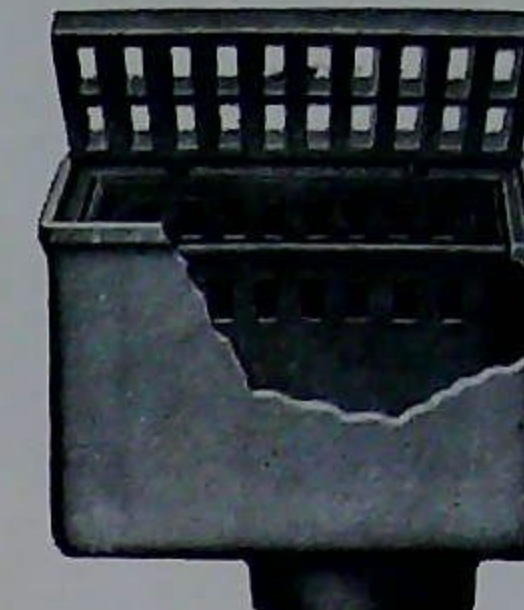


No. 1042 Round Top

Brass Screwed Cleanout Plug with Countersunk Socket Wrench Hole extends to Finished Floor Level.



No. 1052—No. 1054 Dimensions Removable Sediment Buckets



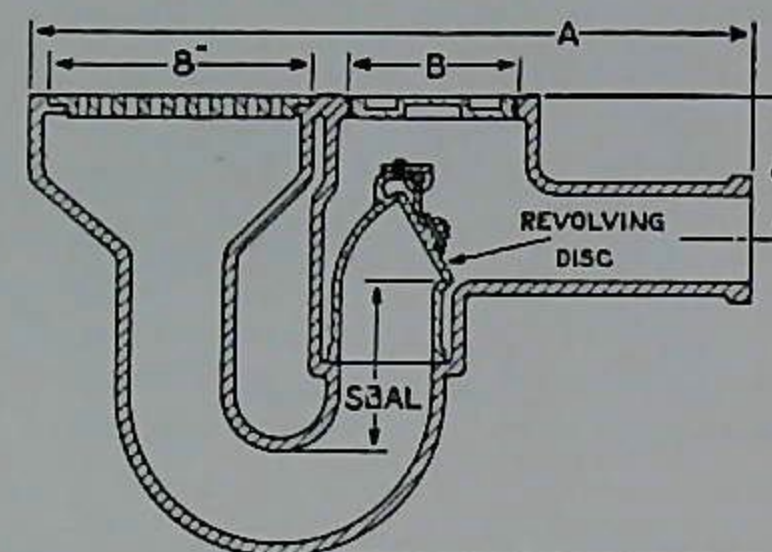
No. 1054 Rectangular Top



No. 1060 Round Top



No. 1065 Round Top



No. 1042 Dimensions

Combined Drain and Trap Type—Anti-Tilting Loose Grate

Regularly furnished with Brass Back Water Valve—Spigot Outlet for Soil Pipe. Also furnished with Hub outlet or Threaded Female Iron Pipe Outlet when specified.

SPECIFICATIONS—No. 1042.

Dimensions are for Roughing In Only and may vary 1/4 inch.

State Size Outlet	State Size Grate	A Inches	B Inches	C Inches	D Inches	Seal Inches	Without Safety Pan No. 1042		
							Black Cast Iron	Without B.W.V. Duct	App. Wt. Lbs.
2"	8"	20 3/4	4 1/2	4 1/4	11	4	\$14.00	\$4.00	45
3"	8"	21 3/4	5 1/2	4	13 3/4	5	19.00	6.00	57
4"	8"	23 3/4	6 1/2	4 1/2	16	5	26.50	8.00	70

Combined Drain and Trap Type—Extra Heavy Hinged Grate

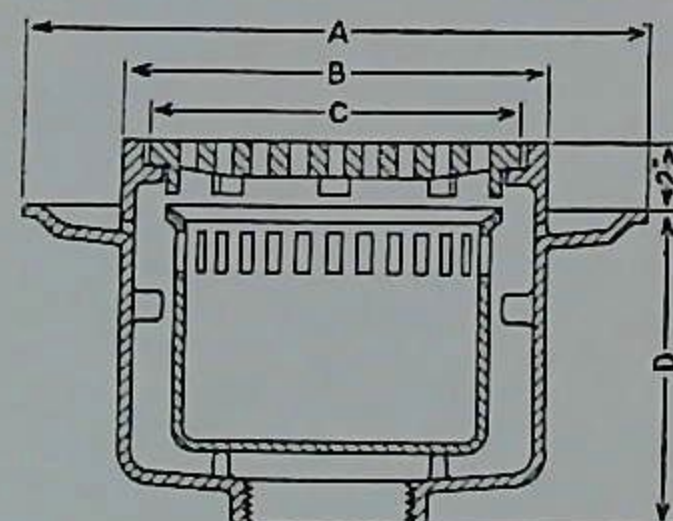
Regularly furnished Without Back Water Valve—Outlet Threaded Female Iron Pipe. Also furnished with Hub or Spigot Outlet when specified.

SPECIFICATIONS—Nos. 1052, 1054.

Dimensions are for Roughing In Only and may vary 1/4 inch.

State Size Outlet	State Size Top	A Inches	B Inches	C Inches	D Inches	Seal Inches	With Trap No. 1052 Threaded Outlet			Without Trap No. 1054 Hub Outlet		
							Black Cast Iron	With B.W.V. Add Lbs.	App. Wt. Lbs.	Black Cast Iron	App. Wt. Lbs.	
2"	9"x12"	20	4 1/2	7 1/4	14 1/2	4	\$32.50	\$4.00	82	\$19.00	57	
3"	9"x12"	21	5 1/2	7	17	5	35.00	6.00	90	19.00	57	
4"	9"x12"	22	6 1/2	6 3/4	18	5	38.50	8.00	102	19.00	57	
6"	9"x12"	28	8 3/4	6 1/2	21 1/2	6	70.00	12.00	130	22.00	57	

Non-Freezing Sediment Buckets furnished when Specified.



No. 1060—No. 1065 Dimensions

Deep Pattern Commercial Type—Extra Heavy Loose Grate

Regularly furnished Without Flashing Connection—Outlet Threaded Female Iron Pipe. Also furnished with Hub outlet inside Caulk when specified.

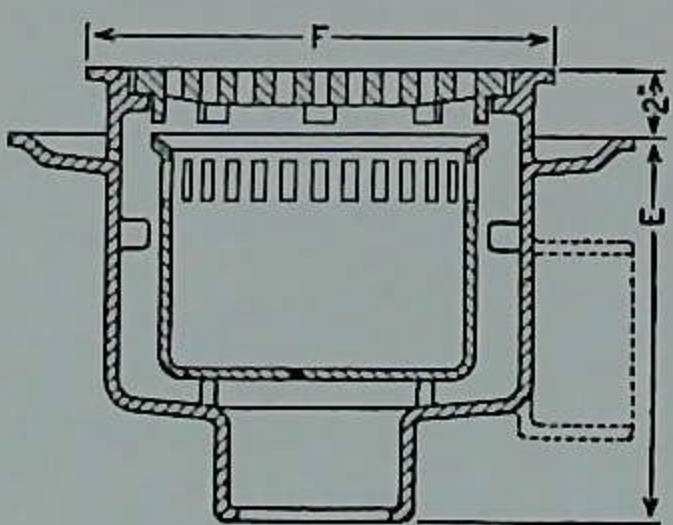
SPECIFICATIONS—Nos. 1060, 1065.

Dimensions are for Roughing In Only and may vary 1/4 inch.

State Size Outlet	State Size Grate	A Inches	B Inches	C Inches	D Inches	E Inches	F Inches	With Safety Pan No. 1060		Without Safety Pan No. 1065	
								Black Cast Iron	App. Wt. Lbs.	Black Cast Iron	App. Wt. Lbs.
2"	*10"	16	11	10	8	9 1/4	12	\$21.50	59	\$17.50	45
3"	*10"	16	11	10	8	9 1/2	12	21.50	59	17.50	45
4"	*10"	16	11	10	8	9 3/4	12	21.50	59	17.50	45
4"	14"	20	15	14	11	12 1/2	16	43.50	129
5"	*14"	20	15	14	11	12 1/2	16	43.50	129
6"	*14"	20	15	14	11	12 1/2	16	43.50	129

*Designate Size of Loose Grate regularly furnished unless otherwise specified. Non-Freezing Sediment Buckets furnished when specified.

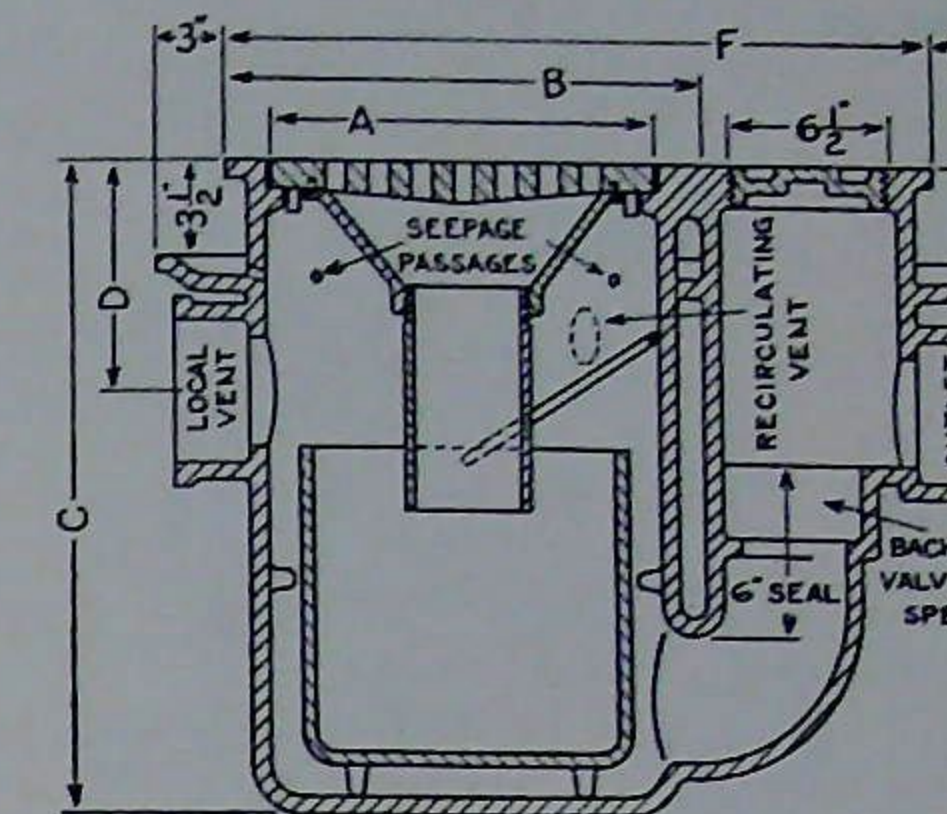
List Prices given are for Painted Cast Iron. Can be furnished Galvanized, All Cast Brass, Iron Body Brass Top, Chrom. Plated Finish or White Metal Top, when specified, at additional cost.



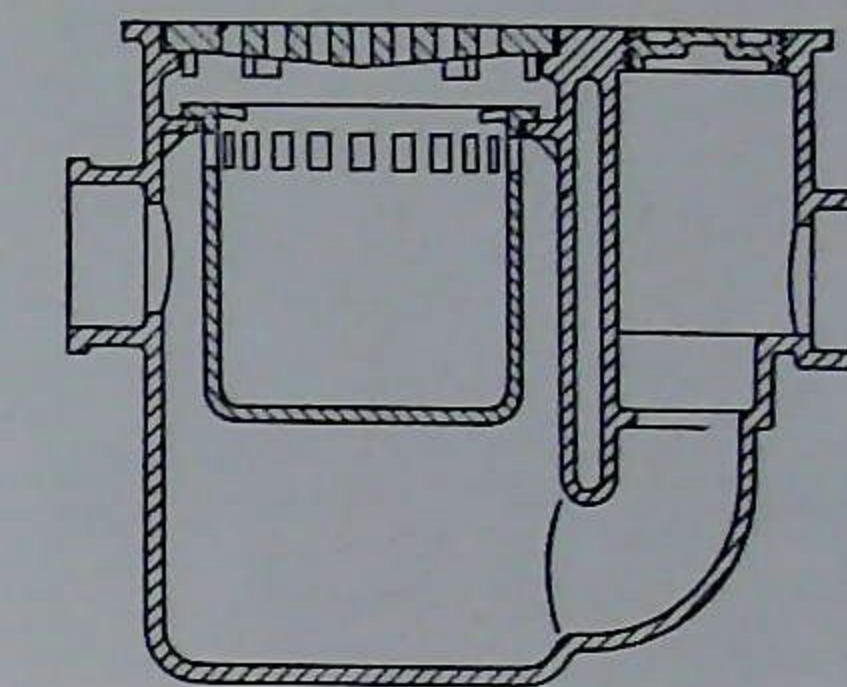
Square Top—Side Outlet—Inside Caulk

Note: Square Top—Side Outlet at Added Cost.

Garage Type—Cast Iron



No. 1087 with Sediment Bucket and Gas Seal Cone Deflector With Safety Pan



No. 1094 With Sediment Bucket

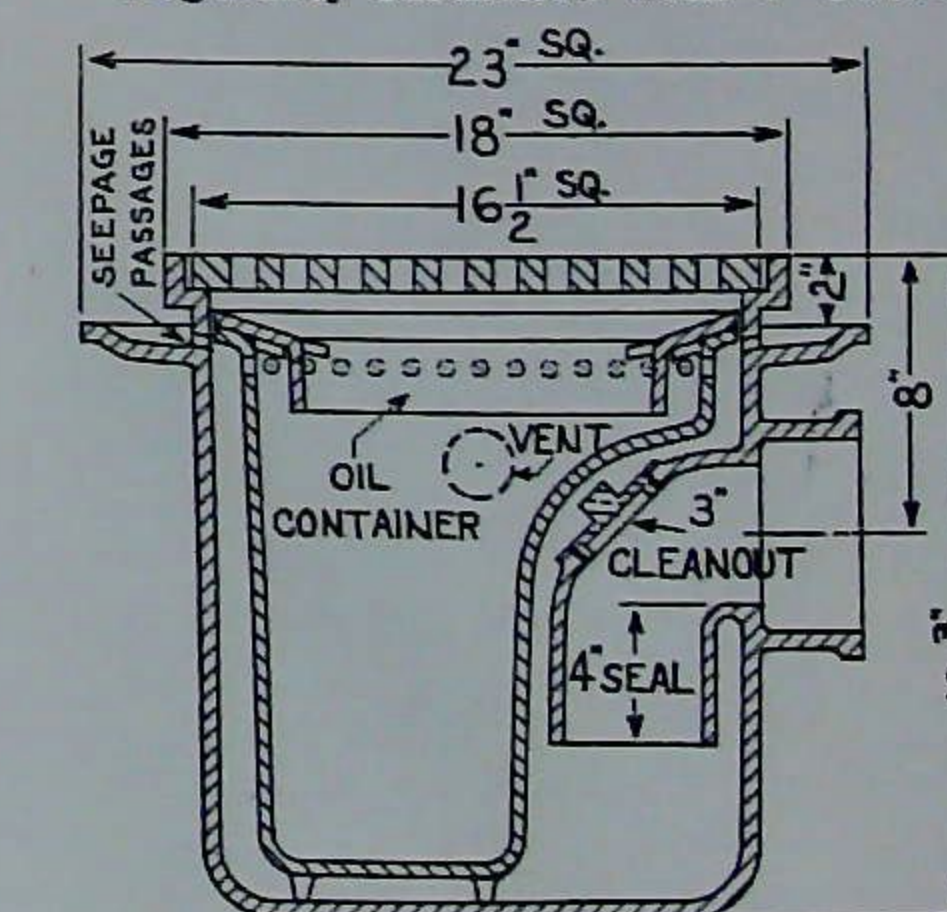
Diam. Grate Overall In.	Height In.	A In.	B In.	C In.	D In.	E In.	F In.	Without Safety Pan No. 1042				
								Black Cast Iron	Without B.W.V. Duct	App. Wt. Lbs.		
14	24	14	16	24	8 1/2	9	24	14	26	10 1/2	11	24
14	26	14	16	26	10 1/2	11	24	14	28	12 1/2	13	24
14	28	14	16	28	12 1/2	13	24	14	30	14 1/2	15	24
14	30	14	16	30	14 1/2	15	24	14	32	16 1/2	17	24
18	24	18	20	24	8 1/2	9	28	18	26	10 1/2	11	28
18	26	18	20	26	10 1/2	11	28	18	28	12 1/2	13	28
18	28	18	20	28	12 1/2	13	28	18	30	14 1/2	15	28
18	30	18	20	30	14 1/2	15	28	18	32	16 1/2	17	28

Dimensions are for Roughing In Only

Garage Type—Cast Iron

Extra Heavy Bar Pattern Square L

Regularly furnished with 4" Outlet



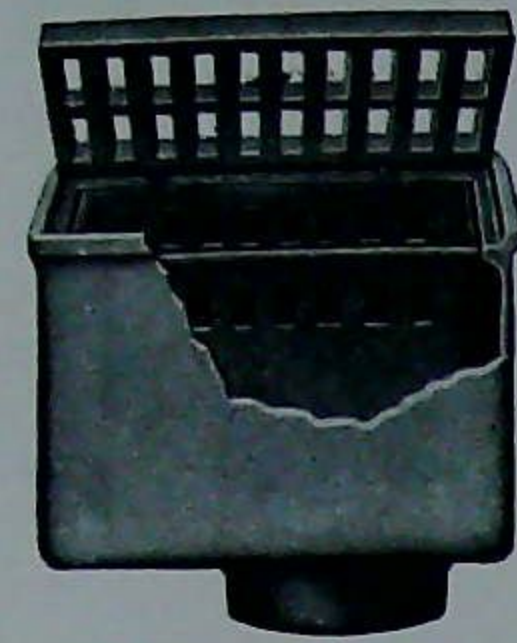
No. 1047 with Safety Pan

List Prices given are for Plain Cast Iron Finish or White Metal Top, when specified.

FLOOR DRAINS

and other Composition Floors
Back Water Valve

Plug
Wrench
Floor



No. 1054 Rectangular Top



No. 1065 Round Top

Dimensions
Buckets

Trap Type—Anti-Tilting Loose Grate

Back Water Valve—Spigot Outlet for Soil Pipe. Also furnished with Male Iron Pipe Outlet when specified.

Dimensions may vary 1/4 inch.

Without Safety Pan No. 1042			Black Cast Iron	Without B.W.V. Deduct	App. Wt. Lbs.
C Inches	D Inches	Seal Inches			
4 1/4	11	4	\$14.00	\$4.00	45
4	13 3/4	5	19.00	6.00	57
4 1/2	16	5	26.50	8.00	70

Trap Type—Extra Heavy Hinged Grate

Back Water Valve—Outlet Threaded Female Iron Pipe. Also furnished with Male Iron Pipe Outlet when specified.

Dimensions may vary 1/4 inch.

With Trap No. 1052 Threaded Outlet		Without Trap No. 1054 Hub Outlet	
D Inches	Seal Inches	Black Cast Iron	App. Wt. Lbs.
14 1/2	4	\$32.50	\$4.00 82
17	5	35.00	6.00 90
18	5	38.50	8.00 102
21 1/2	6	70.00	12.00 130

Dimensions when specified.

Trap Type—Extra Heavy Loose Grate

Back Water Valve—Outlet Threaded Female Iron Pipe. Also furnished with Male Iron Pipe Outlet when specified.

Dimensions may vary 1/4 inch.

With Safety Pan No. 1060			Without Safety Pan No. 1065			
D Inches	E Inches	F Inches	Black Cast Iron	App. Wt. Lbs.	Black Cast Iron	App. Wt. Lbs.
8	9 1/4	12	\$21.50	59	\$17.50	45
8	9 1/2	12	21.50	59	17.50	45
8	9 3/4	12	21.50	59	17.50	45
11	12 1/2	16	43.50	129
11	12 1/2	16	43.50	129
11	12 1/2	16	43.50	129

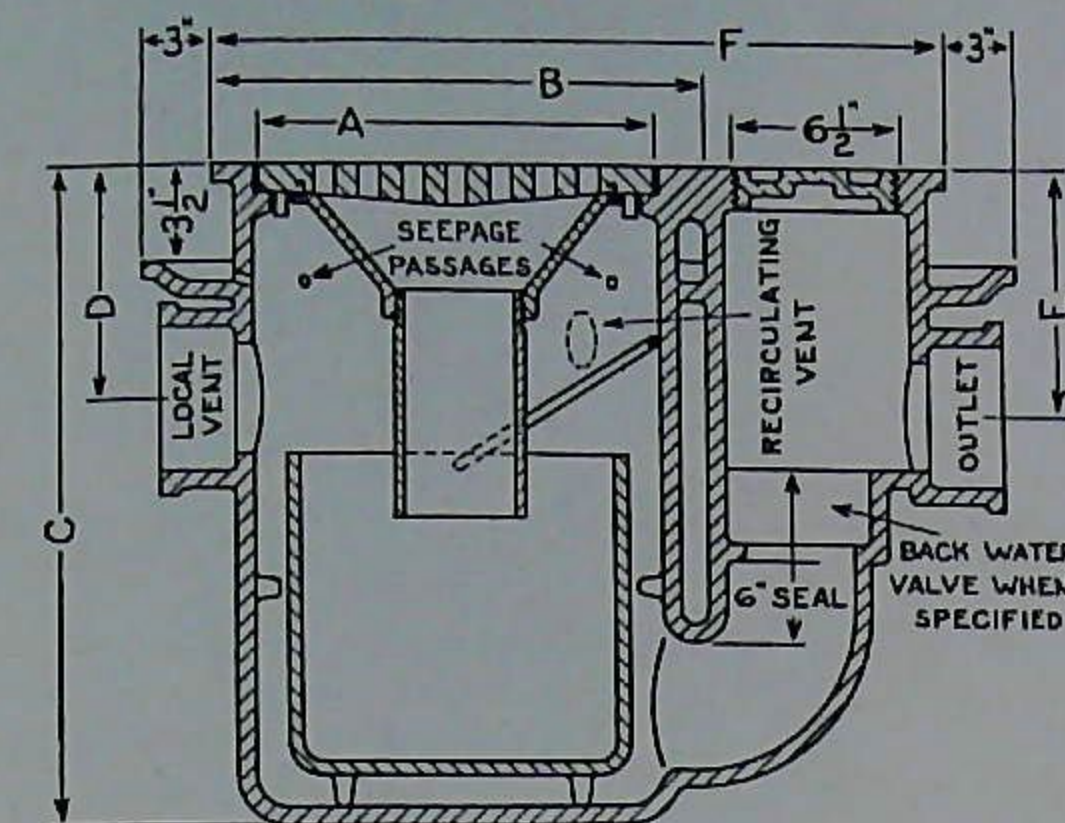
Dimensions furnished unless otherwise specified.

Dimensions when specified.

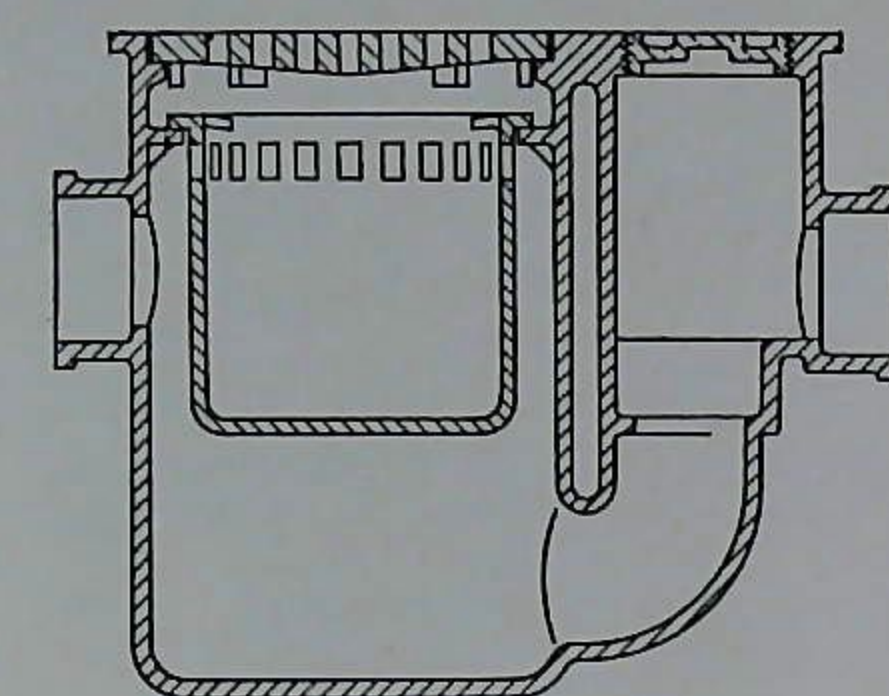
Can be furnished Galvanized. All Cast Brass, Iron or White Metal Top, when specified, at additional cost.

AMERICAN SEEP-PROOF FLOOR DRAINS

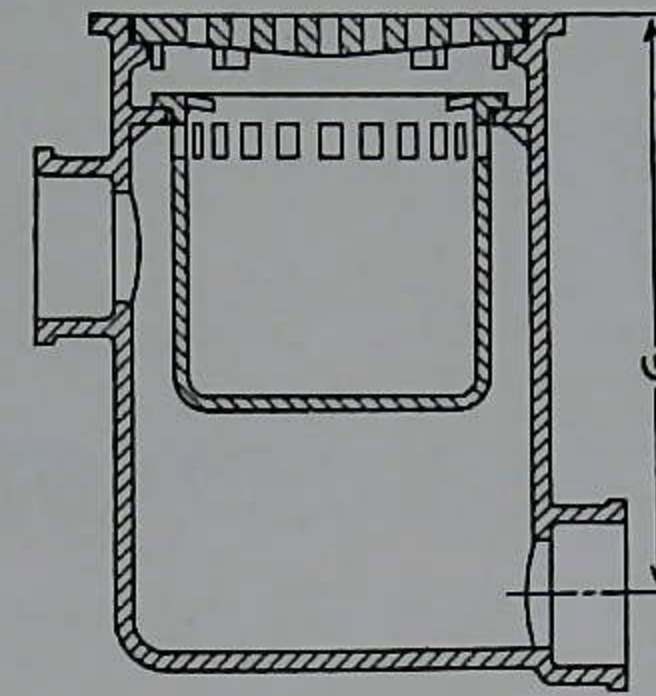
Garage Type—Cast Iron



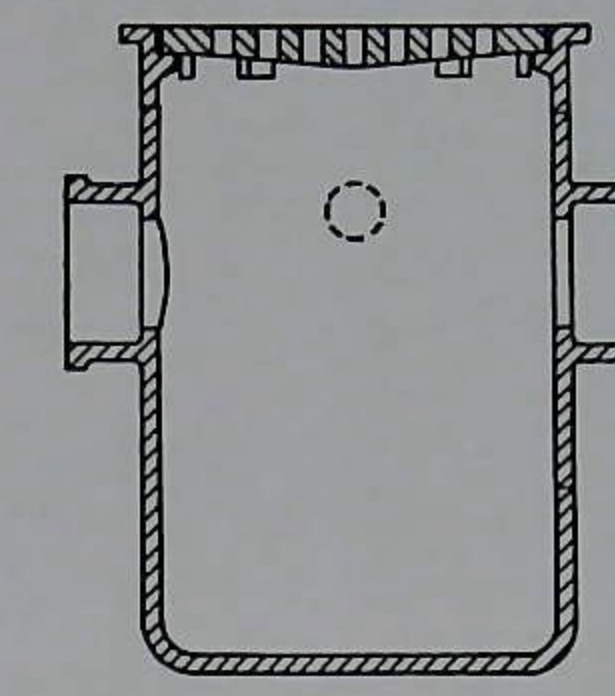
No. 1087 with Sediment Bucket and Gas Seal Cone Deflector With Safety Pan



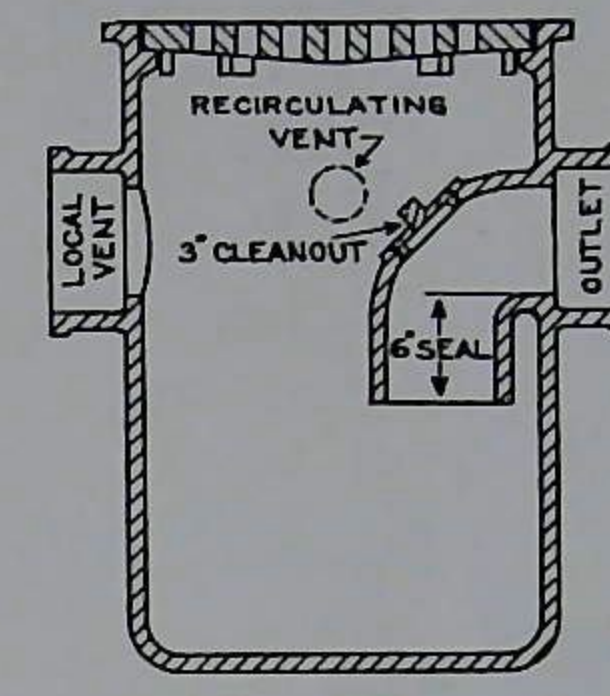
No. 1094 With Sediment Bucket



No. 1097 With Sediment Bucket



No. 1098 Without Sediment Bucket



No. 1095 Without Sediment Bucket

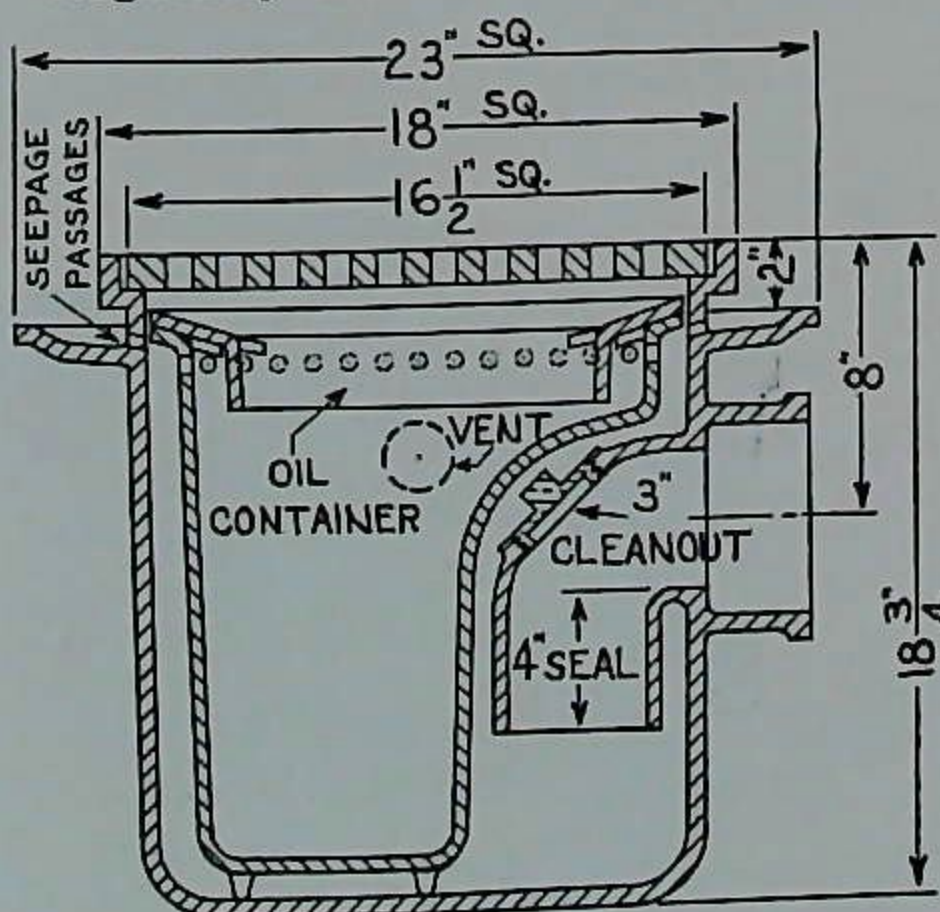
Diam. Overall In.	Height In.	A In.	B In.	C In.	D In.	E In.	F In.	G In.	Slab Thick-ness	Outlet and Vent	Number 1087 List Prices	Wt. Lbs.	Number 1093 List Prices	Wt. Lbs.
14	24	14	16	24	8 1/2	9	24	22	4"	4"	\$ 76.50	272	\$ 60.00	257
14	26	14	16	26	10 1/2	11	24	24	6"	4"	83.00	284	66.50	269
14	28	14	16	28	12 1/2	13	24	26	8"	4"	89.50	296	73.00	281
14	30	14	16	30	14 1/2	15	24	28	10"	4"	96.00	308	79.50	293
14	32	14	16	32	16 1/2	17	24	30	12"	4"	102.50	320	86.00	305
18	24	18	20	24	8 1/2	9	28	22	4"	4"	100.50	354	80.00	334
18	26	18	20	26	10 1/2	11	28	24	6"	4"	107.50	368	87.00	348
18	28	18	20	28	12 1/2	13	28	26	8"	4"	114.50	382	94.00	362
18	30	18	20	30	14 1/2	15	28	28	10"	4"	121.50	396	101.00	376
18	32	18	20	32	16 1/2	17	28	30	12"	4"	128.50	410	108.00	390

Dimensions are for Roughing In Only and may vary 1/4 inch.

GARAGE DRAIN WITH DOUBLE WALL TRAP

Extra Heavy Bar Pattern Square Loose Grate Hub Outlet for Soil Pipe Brass Screwed Cleanout Plug Removable Sediment Bucket and Oil Retainer Ring

Regularly furnished with 4" Outlet, 2" Right Hand Vent. Also furnished with Vent in any Desired Position when specified.



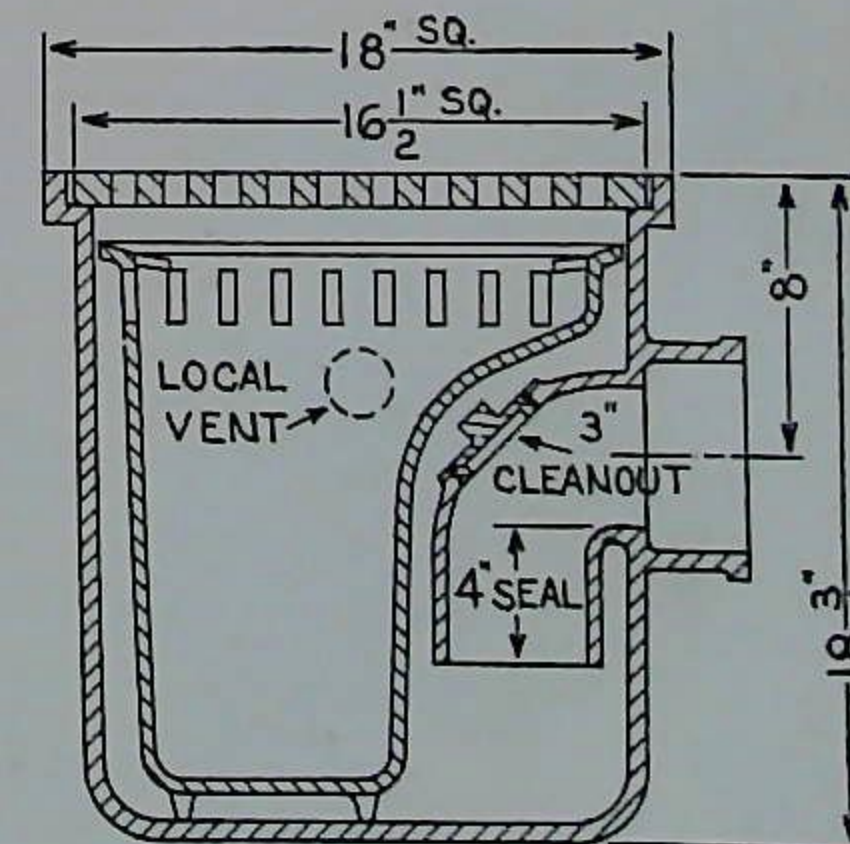
No. 1047 with Safety Pan

Always specify size of Outlet, size of Vent and position Right or Left Hand. Unless otherwise specified Outlet and Vent will always be furnished for Soil Pipe Connection.

Outlet can be furnished with Hub for 3" or 2" Soil Pipe; also 4", 3" or 2" Iron Pipe Female Thread when specified. Vent can be furnished with Hub for 3" or 4" Soil Pipe; also 2", 3" or 4" Iron Pipe Female Thread when specified.

State	Size	Outlet	Without Oil Retainer Ring No. 1046	With Oil Retainer Ring No. 1047
4"	16 1/2" x 16 1/2"		\$45.00*	\$52.00**
Hinged Grate..	Add		1.50	1.50
Sediment Bucket			14.00	14.00
Deduct				
Oil Retainer Ring			3.00	3.00
Add or Deduct...				

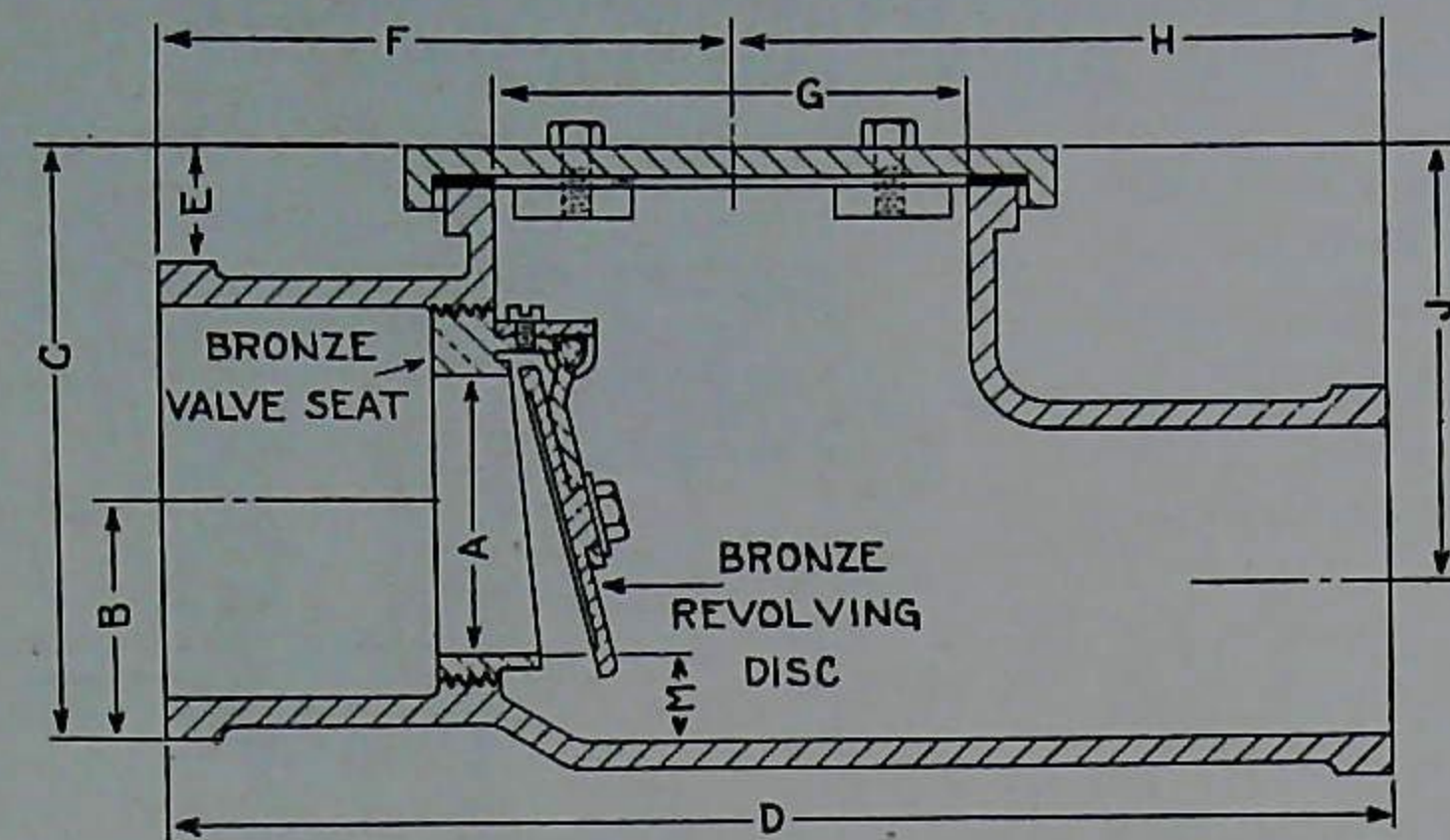
*App. weight, 275 lbs.
**App. weight, 300 lbs.



No. 1046 without Safety Pan

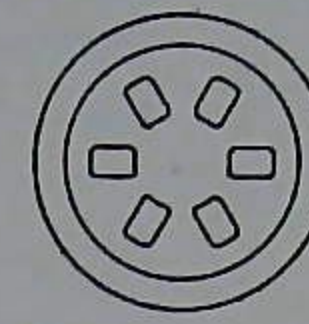
List Prices given are for Plain Cast Iron. Can be furnished Galvanized or Combined Iron and Brass, also Chrom. Plated Finish or White Metal Top, when specified, at additional cost.

AMERICAN BACKWATER TRAPS

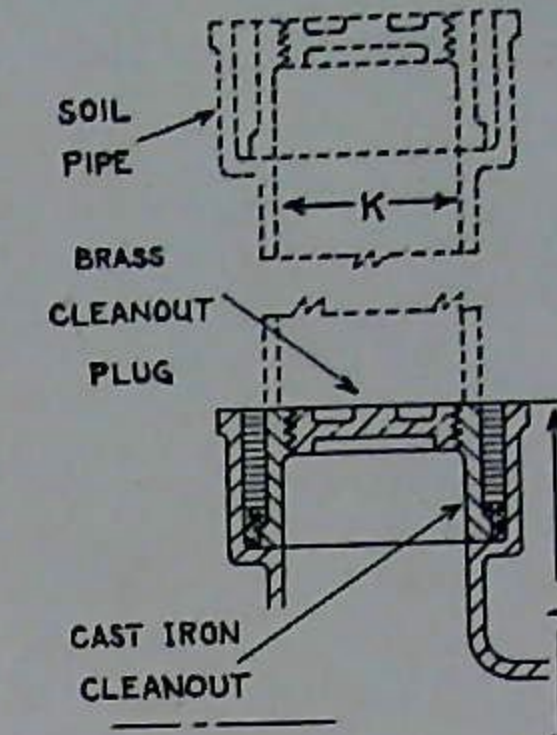


No. 583 American Backwater Trap with Bolted Cover, Heavy Cast Iron Body, with Bronze Bearings, Free Revolving Disc and Bronze Seat.

Open Flap Type



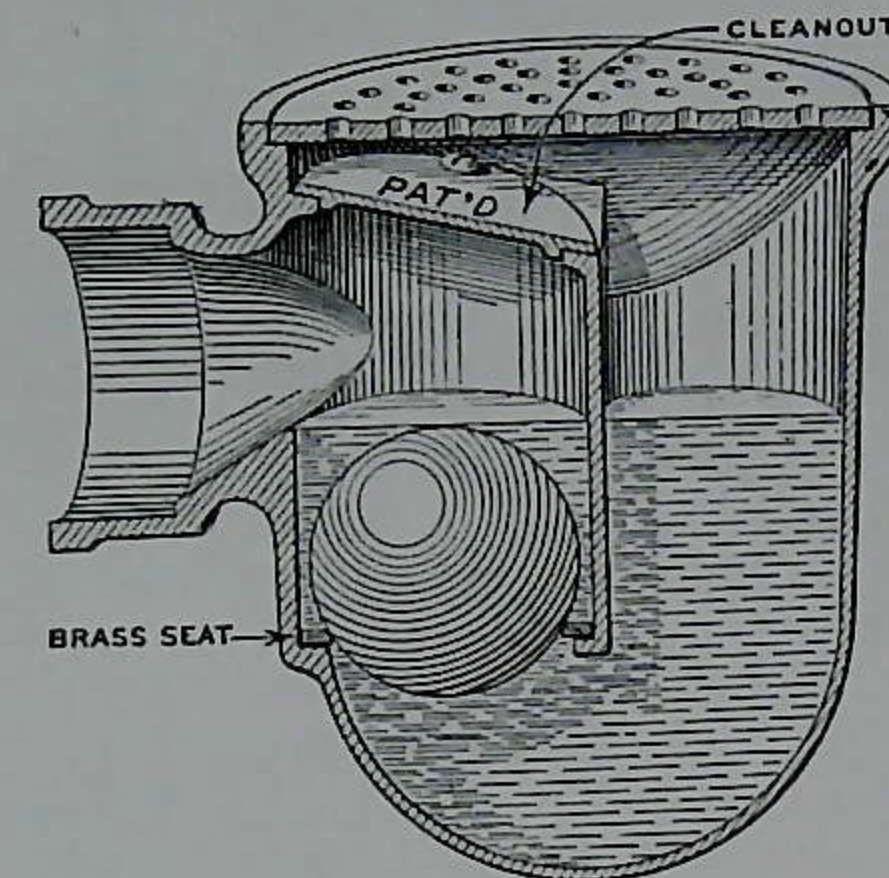
No. 585 With Threaded Brass Cleanout Cover



No. 587 With Hub for Caulking, Complete with Iron Cleanout and Brass Threaded Cover

Size Inches	No. 583	No. 585	No. 587	Weight Pounds	A Inches	B Inches	C Inches	D Inches	E Inches	F Inches	G Inches	H Inches	J Inches	K Inches	L Inches	M Inches
2	\$10.00	\$16.50	\$16.50	19	2	1 7/8	5 1/8	14 1/4	1 3/8	6	4	8 1/4	4 5/8	4	7 5/8	1 1/4
3	12.50	19.50	19.50	29	3	2 5/8	6 3/8	13 3/4	1 1/2	6 1/2	5	7 1/4	5	5	8 1/8	1 1/4
4	17.50	24.00	24.00	30	4	3	7 1/8	14 3/4	1 1/8	7	6	7 3/4	5 3/8	6	8 1/2	1 1/4
5	24.10	29.90	29.90	50	5	3 5/8	8 1/8	16	7/8	7 3/8	6 5/8	8 3/8	6 1/4	6	8 3/4	1 1/2
6	28.70	34.50	34.50	65	6	4 1/8	9 1/8	17 3/8	7/8	8	7 3/4	9 3/8	6 1/2	8	9 1/2	1 1/2
8	38.00	43.70	43.70	120	8	5 1/8	11	24	3/4	11	11	13	7 3/8	10	10 3/8	1 1/2

Larger Sizes, Prices on Application. These Dimensions are for Roughing In Only and may vary 1/4 of an inch.



HUNT'S COMBINED FLOOR DRAIN

With Back Water Trap

PREVENTS SEWER GAS FROM ENTERING BUILDING SHOULD WATER SEAL BE BROKEN

THE ONLY DRAIN WITH AUTOMATIC BALL VALVE ON SEWER SIDE OF TRAP

Back Water Valve—Consists of a Large Copper Ball, which rests on a Brass Seat.

Operation—The Ball Valve operates automatically, allowing the waste water to flow freely through the outlet of the drain, but immediately after each discharge the ball seats itself on the brass seat and maintains a closed position against back water.

Seal—The back water valve being on the Sewer Side of the Trap, will maintain a Seal against sewer gas should the water evaporate from the basin of the drain.

With Back Water Trap
 Fig. A—Hub Outlet
 Fig. E—Spigot Outlet, 3/4" "S" Pattern
 Fig. F—Spigot Outlet Straight Pattern

Size Outlet Inches	Painted Cast Iron	Iron Body Polished Brass Top and Strainer	Approx. Weight Pounds	Dimensions Diam. Top Inches	Depth Overall Inches	Length Overall Inches
2	\$ 8.00	\$12.00	20	8	9	11 1/2
3	12.00	18.00	30	9 1/2	11	13 1/4
4	18.00	26.00	45	11	13	15

STOLTZ SANITARY BACK WATER VALVE AND DRAIN

To Caulk into Hub of Cast Iron Soil Pipe

Manually Controlled

When Valve is in a Closed Position a Positive Seal is Maintained against Back Water, Sewer Gas, Vermin and other objectionable Insects.

Countersunk Head Can Also Be Furnished

Easily Installed—Simple in Operation—Nothing to get out of order.

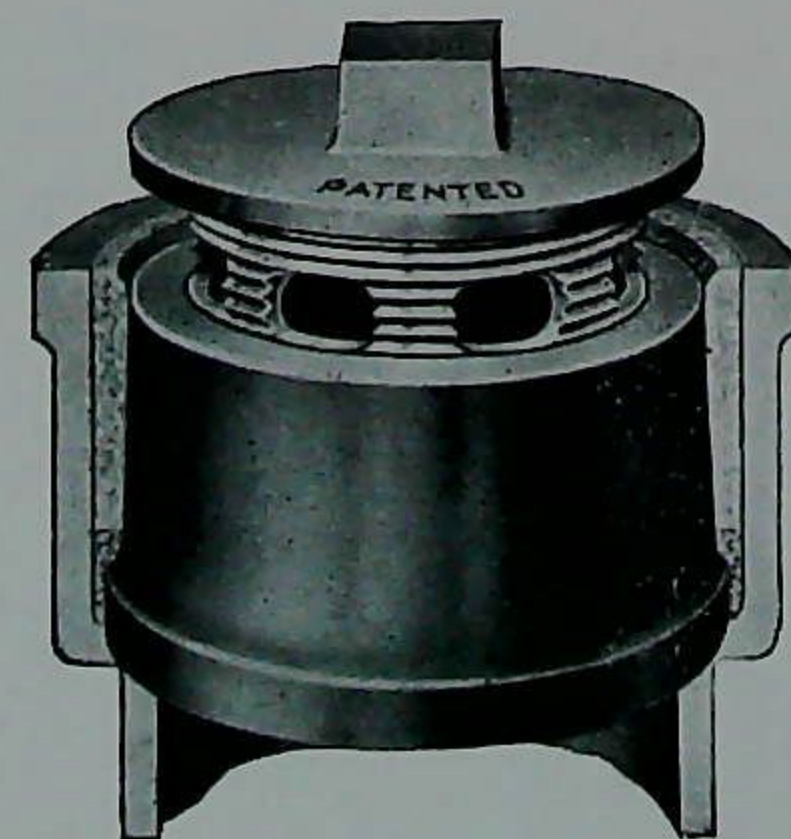


Fig. 1—Open Position For Drainage Purposes

CAST IRON BODY
 CAST BRASS COMBINATION VALVE
 Regularly furnished with Square Raised Head.

Number	For	Soil Pipe	Each	Approx. Weight
2	For 2-inch	Soil Pipe	\$ 1.25	2 lbs.
3	For 3-inch	Soil Pipe	1.75	3 lbs.
4	For 4-inch	Soil Pipe	2.25	4 lbs.
5	For 5-inch	Soil Pipe	5.00	6 lbs.
6	For 6-inch	Soil Pipe	6.50	8 lbs.
8	For 8-inch	Soil Pipe	15.00	15 lbs.
		Iron Key	.30	

Furnished with Countersunk Head when specified.

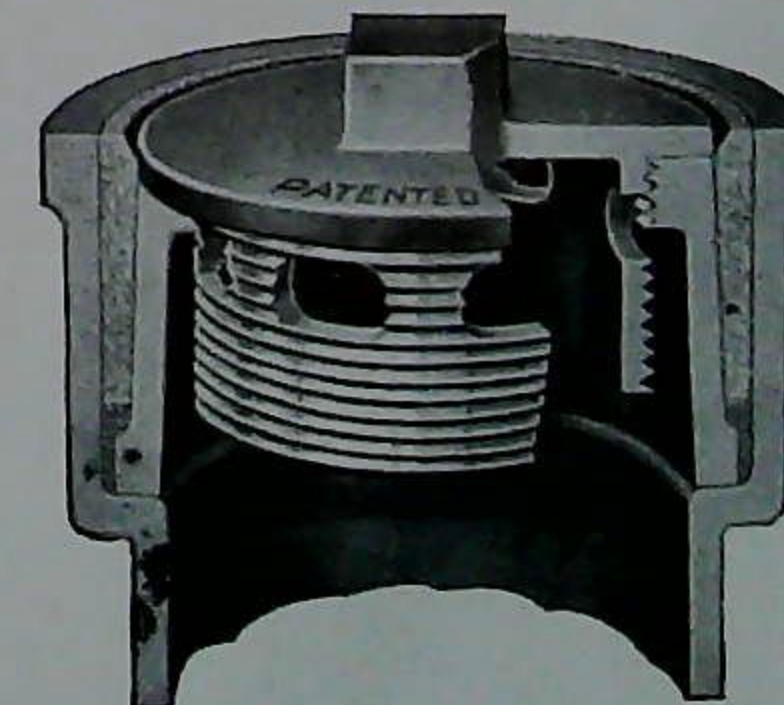


Fig. 2—Closed Position Check Against Back Water

STOLTZ SANITARY BACK WATER VALVES ARE ALSO ADAPTABLE TO OTHER TYPES OF DRAINS



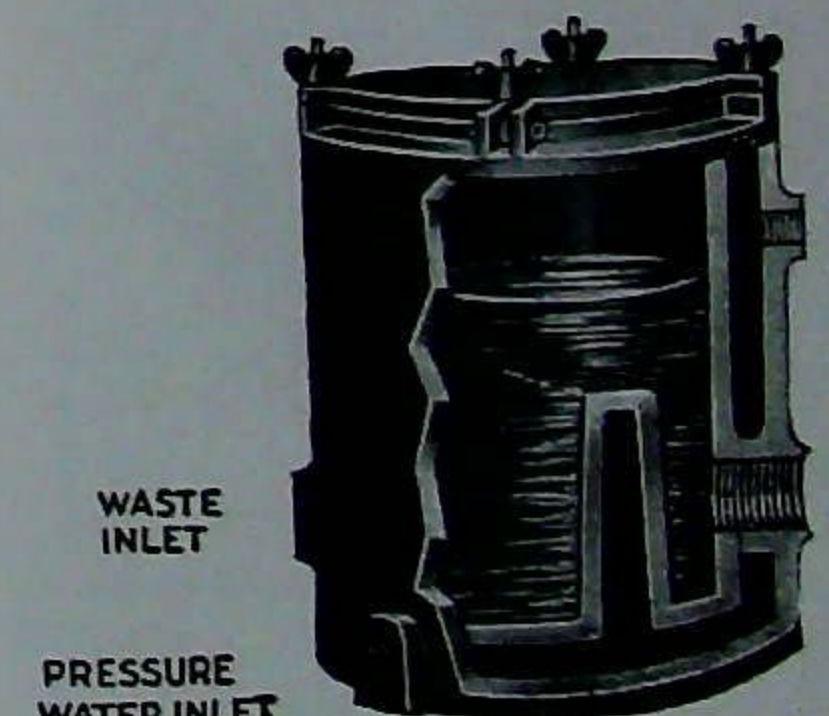
No. 321 6-Inch Threaded Cover
 No. 321-A Bolted Cover



No. 322 6-Inch Threaded Cover
 No. 322-A Bolted Cover
 No. 323 6-Inch Threaded Cover
 No. 323-A Bolted Cover



Fig. 175

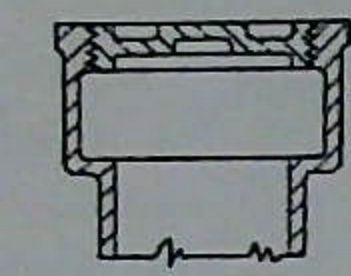
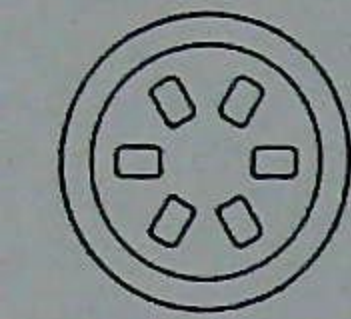


WASTE INLET
 PRESSURE WATER INLET

Fig. 335

AMERICAN GREASE TRAPS

Open Flap Type



No. 585
With Threaded Brass
Cleanout Cover

E Inches	F Inches	G Inches	H Inches	J Inches	K Inches	L Inches	M Inches
1 3/8	6	4	8 1/4	4 5/8	4	7 5/8	1 1/4
1 1/2	6 1/2	5	7 1/4	5	5	8 1/8	1 1/4
1 1/8	7	6	7 3/4	5 3/8	6	8 1/2	1 1/4
7/8	7 3/8	6 5/8	8 5/8	6 1/4	6	8 3/4	1 1/2
7/8	8	7 3/4	9 3/8	6 1/2	8	9 1/2	1 1/2
3/4	11	11	13	7 3/8	10	10 3/8	1 1/2

In Only and may vary 1/4 of an inch.

SEWER FLOOR DRAIN With Back Water Trap

PREVENTS GAS FROM ENTERING BUILDING
AND WATER SEAL BE BROKEN

OPERATES WITH AUTOMATIC BALL VALVE
ON SEWER SIDE OF TRAP

Consists of a Large Copper Ball, which rests on a Brass Seat. Operates automatically, allowing the waste water to pass through the drain, but immediately after each discharge the ball rises to the brass seat and maintains a closed position against the sewer side of the trap.

The cover, being on the Sewer Side of the Trap, will maintain a water seal and prevent the water evaporate from the basin of the drain.

Body Height Top Inches	Approx. Weight Pounds	Dimensions Diam. Top Inches	Depth Overall Inches	Length Overall Inches
10.00	20	8	9	11 1/2
13.00	30	9 1/2	11	13 1/4
16.00	45	11	13	15

VALVE AND DRAIN

Manually Controlled

Positive Seal is Main-
tenance, Vermin and other

Countersunk Head Can
Also Be Furnished

Nothing to get

VALVE

Raised Head.

Each	Approx. Weight
1.25	2 lbs.
1.75	3 lbs.
2.25	4 lbs.
5.00	6 lbs.
6.50	8 lbs.
15.00	15 lbs.

.30

when specified.

ADAPTABLE TO OTHER TYPES OF DRAINS

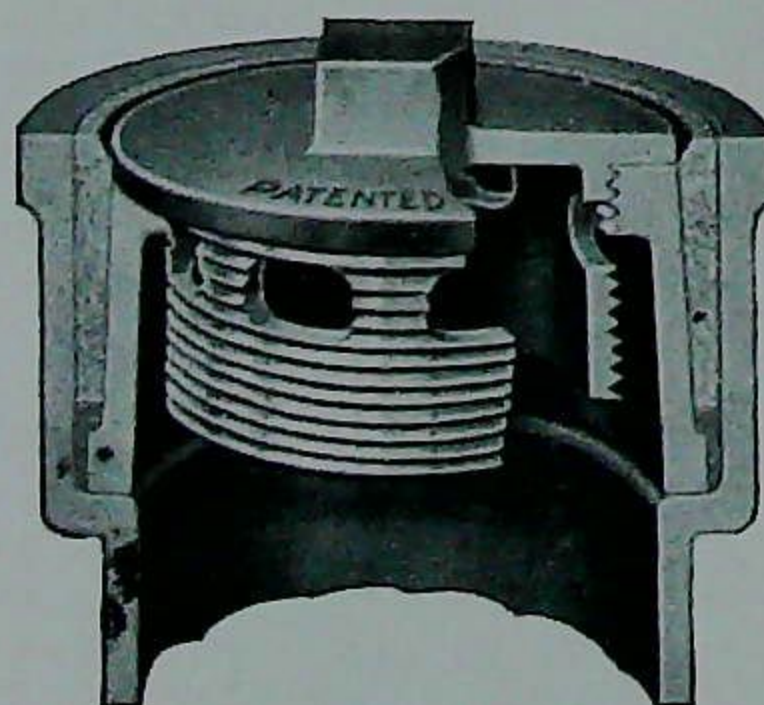
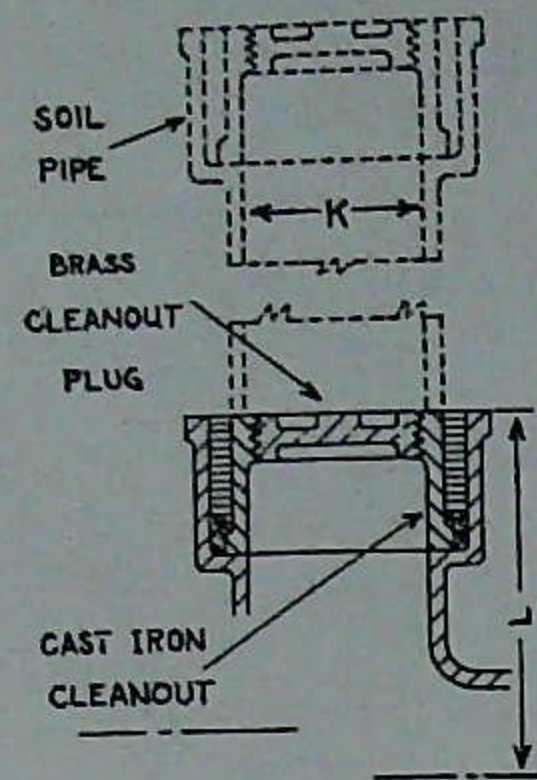
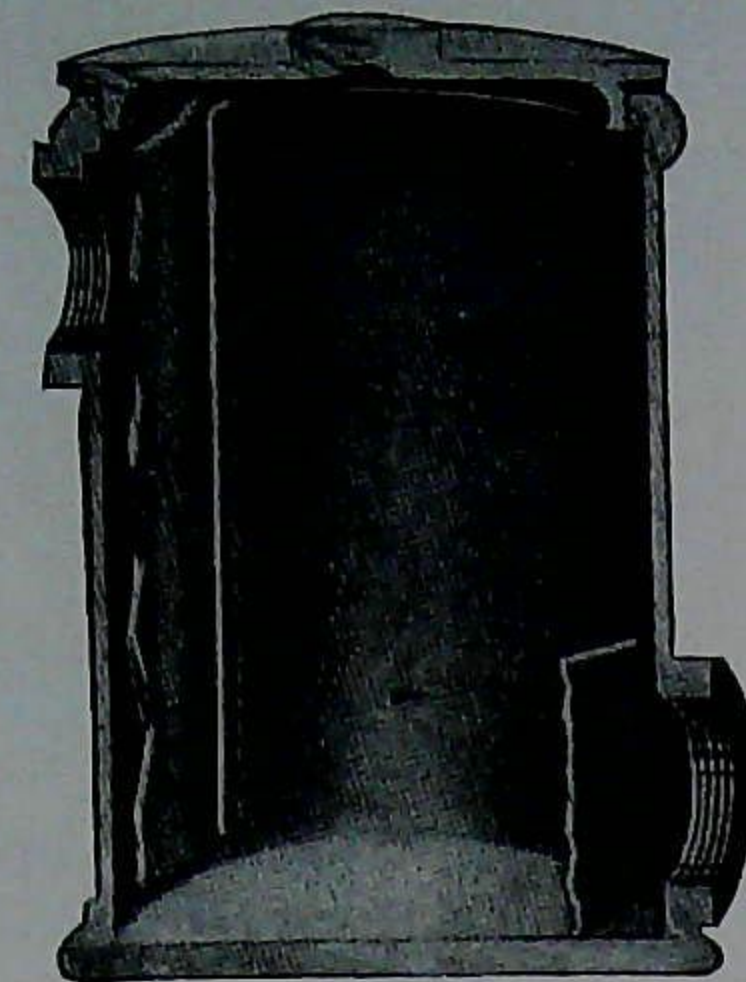


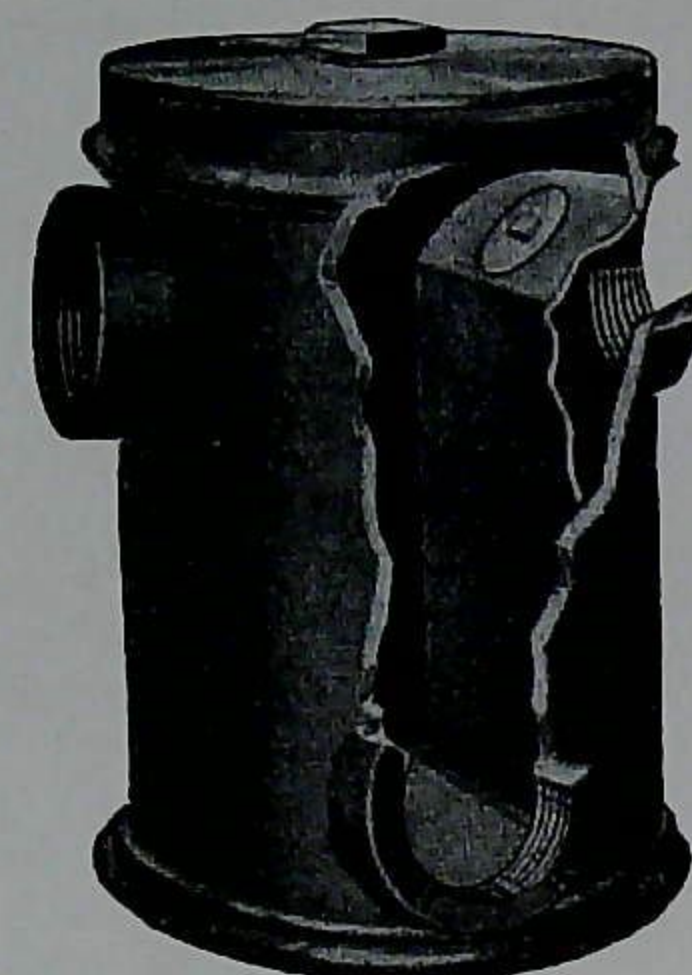
Fig. 2—Closed Position
Check Against Back Water



No. 587
With Hub for Caulking,
Complete with Iron
Cleanout and Brass
Threaded Cover



No. 321 6-Inch Threaded Cover
No. 321-A Bolted Cover



No. 322 6-Inch Threaded Cover
No. 322-A Bolted Cover
No. 323 6-Inch Threaded Cover
No. 323-A Bolted Cover

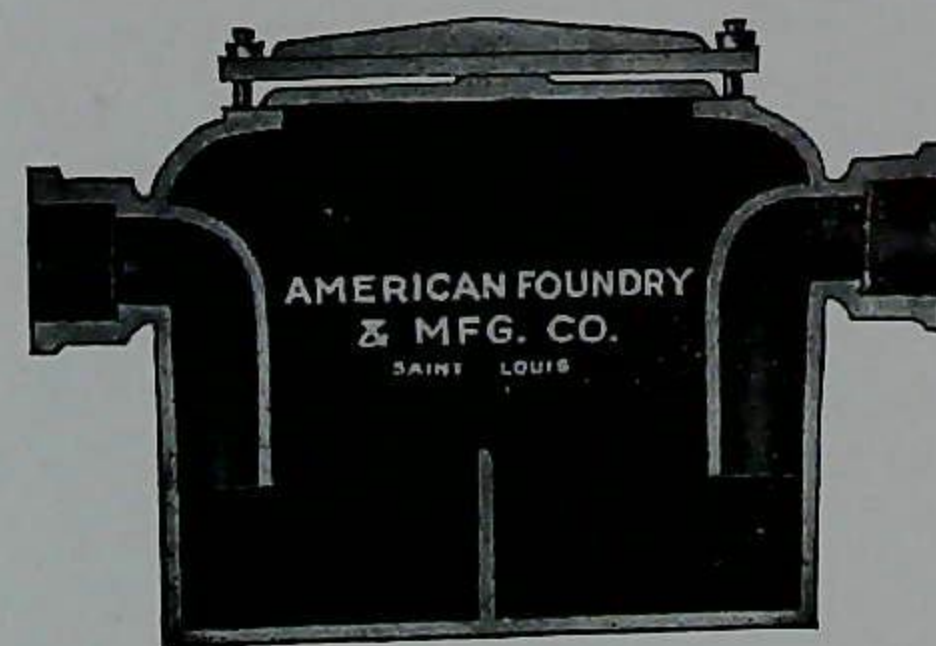
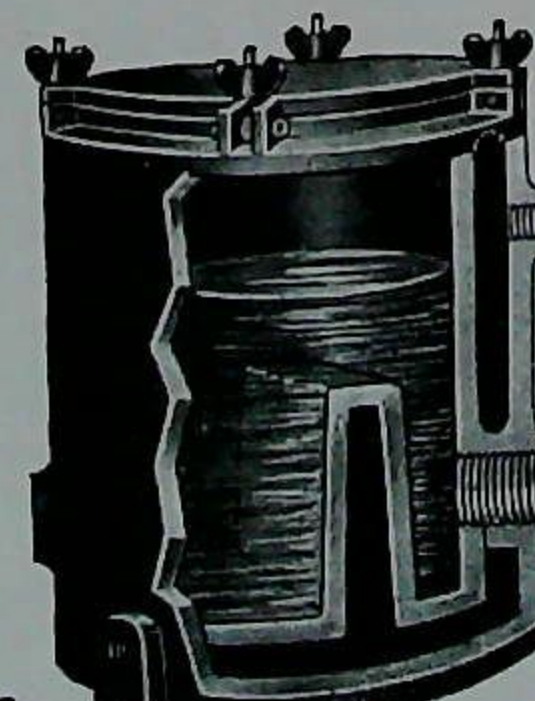


Fig. 175



WASTE
INLET

PRESSURE
WATER INLET

PRESSURE
WATER
OUTLET

WASTE
OUTLET

Fig. 335

Cast Iron Body—Cast Brass Removable Cover

No. 321. Traps have a baffleplate cast integral with the trap, placed immediately in front of the lower opening, which is the inlet. Another large baffleplate prevents the grease from flowing out through the outlet opening.

No. 322—No. 323. The interceptor in these traps is cast integral with the trap, placed immediately in front of the outlet as shown and has a 1 1/4-inch brass trap screw in the web so that the outer space and waste pipe may be reached for cleaning.

Specifications Number	Height	Diameter	Inlet and Outlet	Painted	Weight Pounds
321 or 321A	10 1/2"	7"	1 1/2" I.P.	\$10.00	28
322 or 322A	10 1/2"	7"	2" I.P.	13.00	32
323 or 323A	10 1/2"	12"	2" I.P.	18.00	70

List Prices given are for Painted Cast Iron Body with Polished Brass Cover. Can be furnished Galvanized or Painted White Enamel Body, Nickel Plated or Chrom. Plated Finish Covers, when specified, at additional cost.

Cast Iron Body with Removable Cover

No. 175. Traps have a baffleplate cast integral in the center of the trap as shown, thus causing the water to ascend after entering the trap, the grease naturally collecting and remaining at the top as the water must first go down and come up over the baffleplate in seeking the outlet.

Specifications Number	Height	Width	Length	Inlet and Outlet	Painted	Weight Pounds
0	9"	8"	12"	2" Hub	\$ 14.00	45
0A	9"	8"	12"	1 1/2" I.P.	15.00	45
1	10"	11 1/2"	19"	2" Hub	16.00	85
1A	10"	11 1/2"	19"	2" I.P.	17.00	85
326	18 1/2"	19 1/4"	22 1/4"	3" Hub	82.50	260
326A	18 1/2"	19 1/4"	22 1/4"	3" I.P.	85.50	260
327	19 1/2"	23 1/4"	33 1/4"	4" Hub	134.00	400
327A	19 1/2"	23 1/4"	33 1/4"	4" I.P.	138.00	400

List Prices given are for Painted Cast Iron. Can be furnished Porcelain Enameled In and Out or Inside Only, when specified, at additional cost.

AMERICAN WATER JACKET GREASE TRAPS

Cast Iron Body with Removable Cover

Fig. 335. Water Jacket Grease Traps are tested to withstand 60-pound pressure, yet we suggest and recommend that when water supply comes from roof tanks on high buildings or in cities where a heavy pressure is sustained, that pressure be reduced by water relief valve to 30 pounds or less to relieve excessive pressure on water jacket basins.

Regularly furnished with Iron Pipe Thread Connections. Waste Inlet and Outlet can be furnished for Soil Pipe Connection when specified.

No.	Height	Depth Inside	Diam. at Top Inside	Waste Inlet and Outlet	Supply Cold Water	Grease in Pounds	Gals. Water per Hour	List Price Painted	Weight Pounds
10	15"	12"	10"	2"	3/4"	25	75-100	\$48.00	137
11	18"	15"	10 1/2"	2"	3/4"	35	100-150	58.00	193
12	19"	16"	13 3/4"	2"	1 1/4"	50	150-250	98.00	295
13	21"	18"	16 3/4"	3"	2"	80	250-350	140.00	407

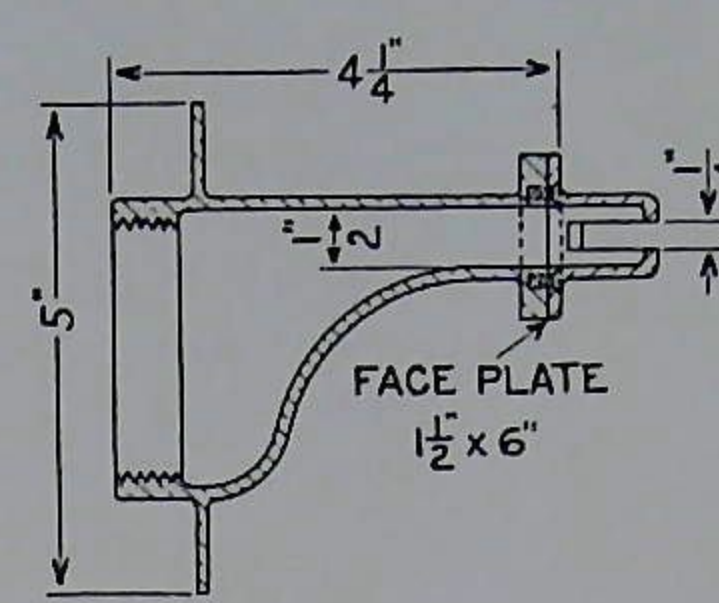
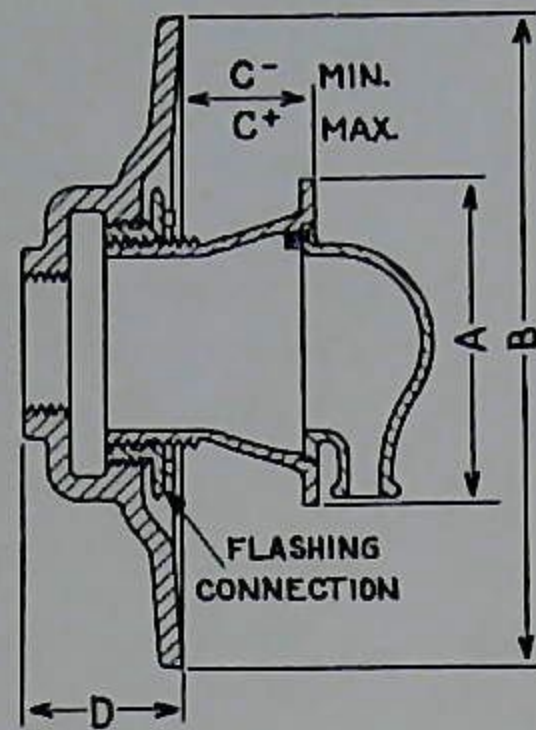
AMERICAN SWIMMING POOL DRAINS AND FITTINGS

No. 1204 FRESH WATER INLET CONNECTION WITH CAST BRASS ADJUSTABLE HEAD REMOVABLE FAN SHAPE FACE PLATE



Regularly furnished with Flashing Connection — Inlet Female Iron Pipe.

No. 1204 Dimensions



No. 1208 Dimensions



No. 1208

SPECIFICATIONS—No. 1204

State Inlet Size	State Outlet Size	A In.	B In.	C- In.	C+ In.	D In.	Cast Iron Body, Pol. Br. or N.P. Face Plate	Approx. Wt., Lbs.
1 1/2"	1 1/2"	5 1/4	10	1 1/4	2 1/4	2 1/2	\$11.00	10
2"	2"	5 1/4	10	1 1/4	2 1/4	2 1/2	11.00	10
2 1/2"	2 1/2"	5 1/4	10	1 1/4	2 1/4	2 3/4	12.00	13 1/2
3"	3"	5 1/4	10	1 1/4	2 1/4	2 3/4	12.00	13 1/2
4"	4"	5 1/4	11	1 1/4	2 1/4	3	13.00	16 1/2

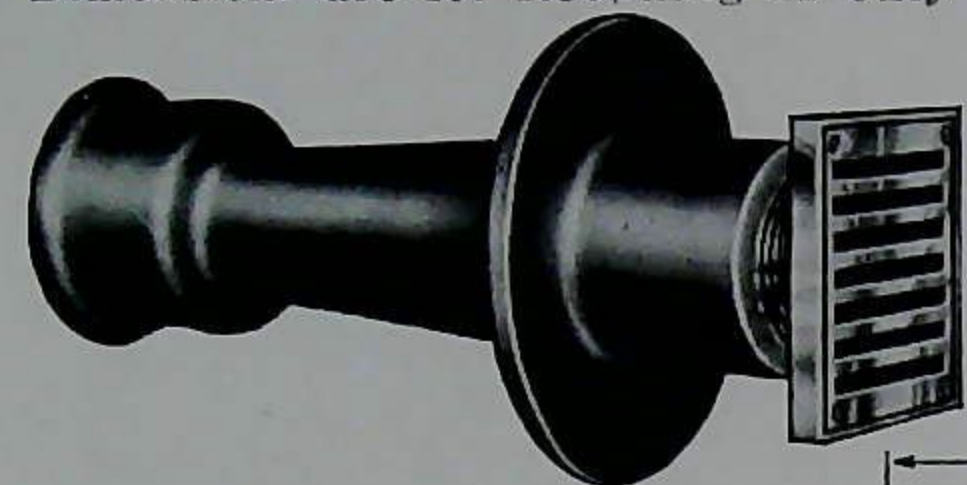
Dimensions are for Roughing In Only and may vary 1/4 inch.

No. 1208 FRESH WATER INLET OR SKIMMER SPRAY WITH REMOVABLE FAN SHAPE FACE PLATE

Regularly furnished with Slotted Fan Shape Spray—Inlet Threaded Female Iron Pipe. Also furnished with Straight Face Plate, Slotted, or Round Hole Spray when specified.

SPECIFICATIONS

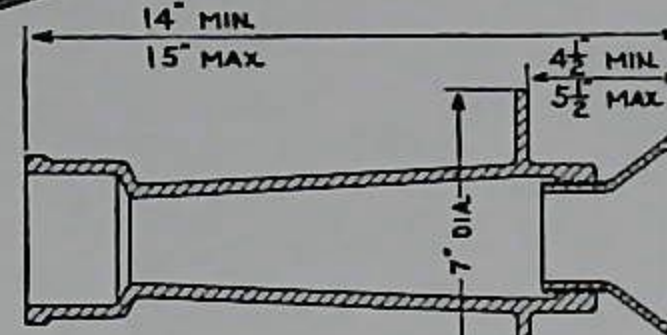
State Inlet Size	State Face Plate Inlet	Cast Brass Body, Pol. Br. or N.P. Face	Approx. Weight Pounds
2"	1 1/2" x 6"	\$9.50	4
2 1/2"	1 1/2" x 6"	9.50	4 1/2



No. 1220

No. 1220 INLET AND OUTLET CONNECTION (CIRCULATING) WITH CAST BRASS ADJUSTABLE HEAD—REMOVABLE STRAINER

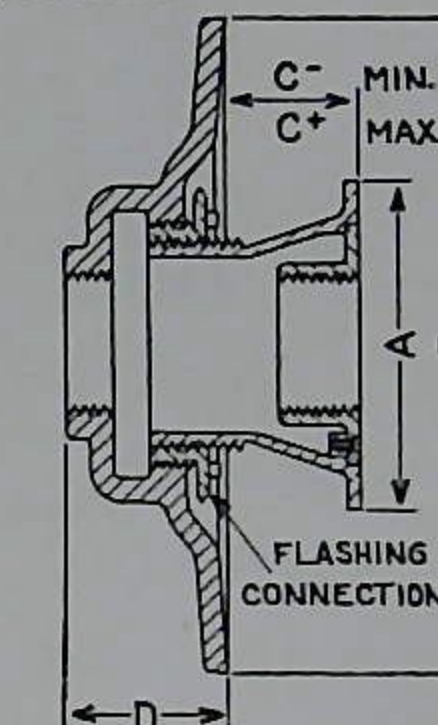
Regularly furnished—Hub Outlet for Soil Pipe. Also furnished with Female Threaded Outlet when specified.



No. 1220 Dimensions

SPECIFICATIONS

State Pipe Size	State Strainer Size	Cast Iron Body, Pol. Br. or N.P. Strainer	Approx. Weight Pounds
2"	4" x 4"	\$ 8.50	10 1/2
2"	5" x 5"	9.75	11
3"	5" x 5"	11.60	12 1/2
2"	3" x 9"	9.75	11
3"	3" x 9"	11.60	12 1/2
3"	6" x 6"	13.50	13
4"	6" x 6"	16.00	15



No. 1224 Dimensions



No. 1224

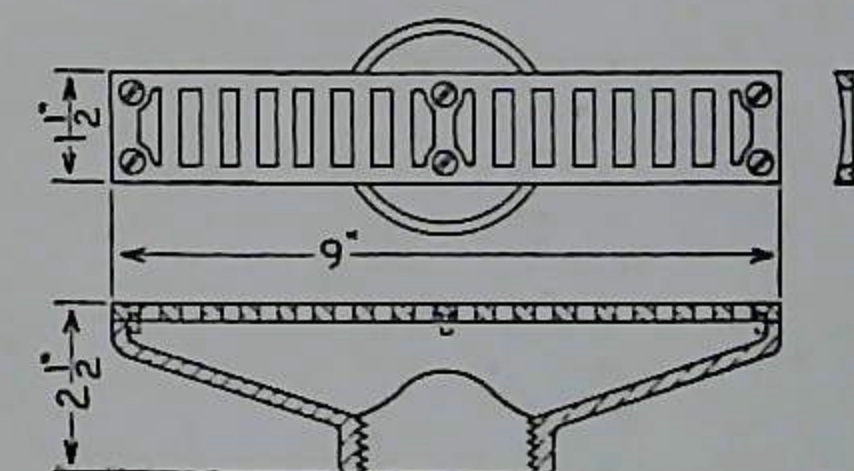
No. 1224 VACUUM ATTACHMENT—WITH CAST BRASS ADJUSTABLE INLET CONNECTION

Regularly furnished with Flashing Connection—Outlet Threaded Female Iron Pipe. Vacuum Connection 2-inch Iron Pipe Thread. Also furnished with Brass Plug to fit flush with top of Vacuum Connection when specified.

SPECIFICATIONS

State Outlet Size	State Inlet Size	A Inches	B Inches	C- Inches	C+ Inches	D Inches	Cast Iron Body, Pol. Br. or N.P. Face Plate	Approx. Weight Pounds
1 1/2"	2"	5 1/4	10	1 1/4	2 1/4	2 1/2	\$10.50	9
2"	2"	5 1/4	10	1 1/4	2 1/4	2 1/2	10.50	9
2 1/2"	2"	5 1/4	10	1 1/4	2 1/4	2 3/4	11.50	12 1/2
3"	2"	5 1/4	10	1 1/4	2 1/4	2 3/4	11.50	12 1/2
4"	2"	5 1/4	11	1 1/4	2 1/4	3	12.50	15 1/2

Dimensions are for Roughing In Only and may vary 1/4 inch.



No. 1234



No. 1230

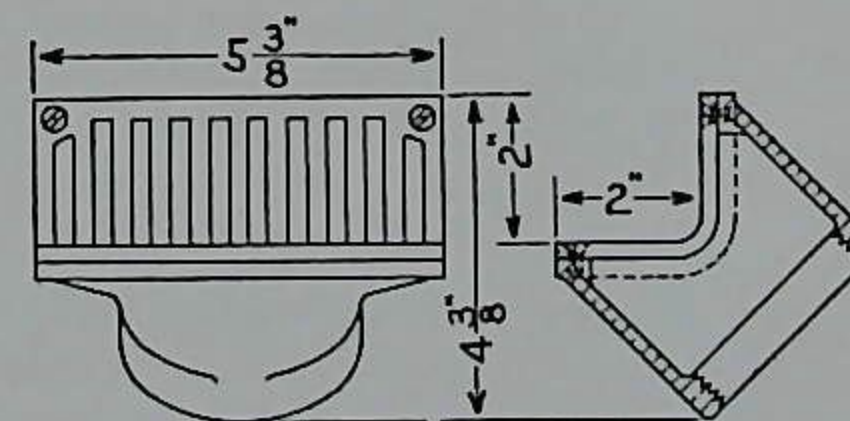
No. 1230 SCUM GUTTER DRAIN WITH FLAT TOP—REMOVABLE STRAINER

Regularly furnished with Flat Strainer — Outlet Threaded Female Iron Pipe. Also furnished with Concave Top when specified.

SPECIFICATIONS

State Outlet Size	State Top Size	Cast Brass Body, P.B. or N.P. Top	Approx. Weight Pounds
1 1/2"	3 3/4" x 2 1/4"	\$4.50	2
2"	3 3/4" x 2 1/4"	4.50	2
2 1/2"	5 3/8" x 2 1/2"	7.00	3 1/2
3"	5 3/8" x 2 1/2"	7.00	3 1/2

Always Specify whether Nickel Plated or Polished Finish



No. 1232

SCUM GUTTER DRAIN (ANGLE PATTERN) WITH REMOVABLE STRAINER

Regularly furnished—Outlet Threaded Female Iron Pipe.

State Outlet Size	State Top Size	Cast Brass Body, P.B. or N.P. Top	Approx. Weight Pounds
1 1/2"	5 3/8" x 2"	\$6.50	2
2"	5 3/8" x 2"	6.50	2
2 1/2"	5 3/8" x 2"	6.50	2

SCUM GUTTER DRAIN WITH CONCAVE TOP—REMOVABLE STRAINER

Regularly furnished with Concave Top — Outlet Threaded Female Iron Pipe. Also furnished with Flat Top when specified.

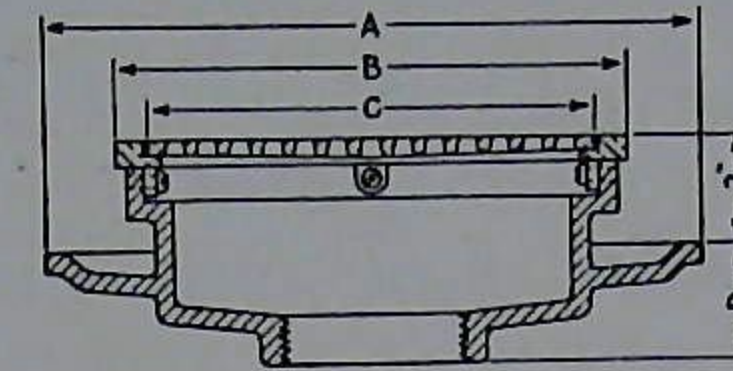
State Outlet Size	State Top Size	Cast Brass Body, P.B. or N.P. Top	Approx. Weight Pounds
1 1/2"	1 1/2" x 9"	\$7.00	2 1/2
2"	1 1/2" x 9"	7.00	2 1/2

List Prices given are for Nickel Plated or Polished Finish. Can be furnished Chrom. Plated or White Metal Finish. All Cast Brass or Galvanized Iron Body, when specified, at additional cost.

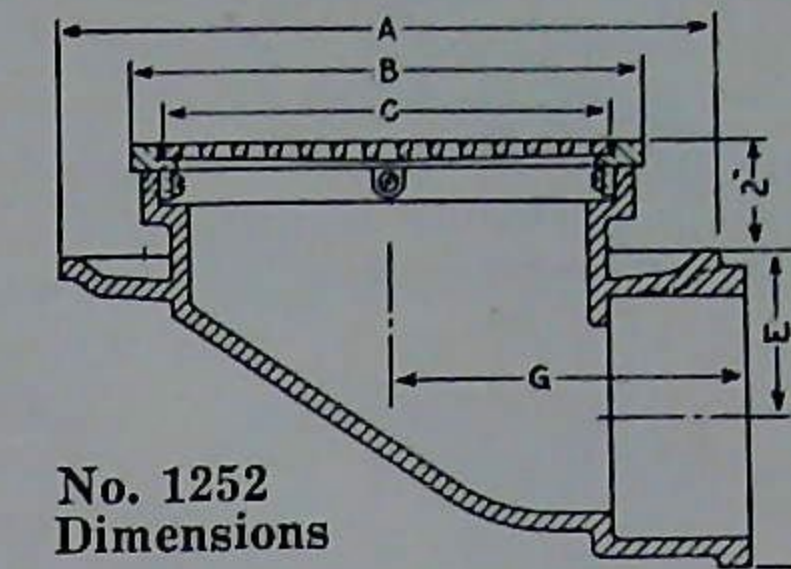
AMERICAN SWIMMING POOL DRAINS AND FITTINGS



No. 1250



No. 1250 Dimensions



No. 1252 Dimensions

MAIN POOL OUTLET DRAIN WITH REMOVABLE STRAINER (With Safety Pan—No Seep Holes)

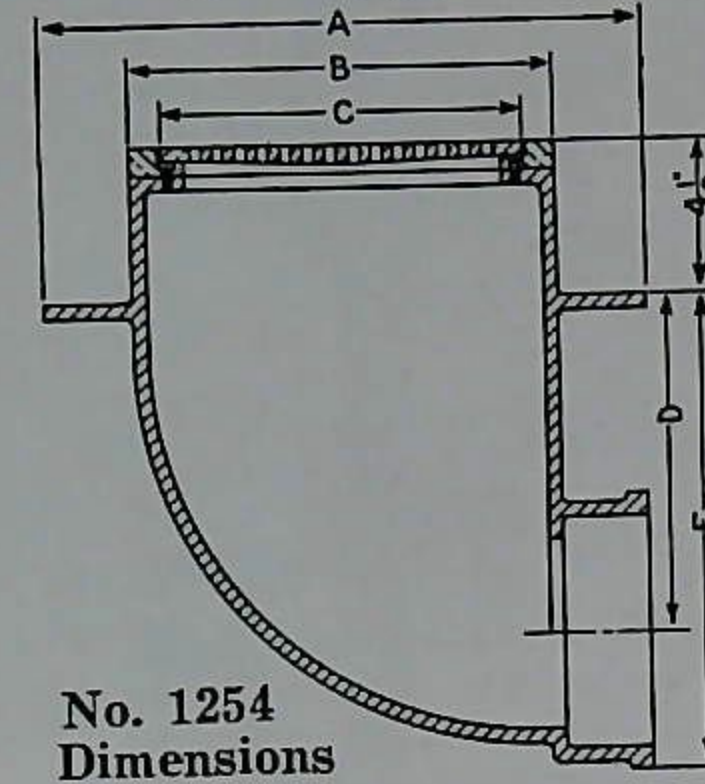
Square Top with Slotted Strainer. Can be Furnished with Round Hole Strainer when specified

Regularly furnished without Flashing Connection—Outlet Threaded Female Iron Pipe. Also furnished with Hub Outlet Inside Caulk when specified.

SPECIFICATIONS—Nos. 1250, 1252.

Dimensions are for Roughing In Only and may vary 1/4 inch.

State Size Outlet Inches	State Size Strainer Inches	A In.	B In.	C In.	D In.	E In.	F In.	G In.	Threaded Outlet No. 1250		Hub Outlet No. 1252	
									Cast Iron Body, Pol. Br. or N. P. Top	Approx. Weight Pounds	Cast Iron Body, Pol. Br. or N. P. Top	Approx. Weight Pounds
3	9 3/4	14	11	9 3/4	3	2 3/4	5 1/2	7 1/2	\$14.20	34	\$18.70	44
4	9 3/4	14	11	9 3/4	3	3 1/4	6 1/2	7 3/4	14.20	34	18.70	44
5	12 1/2	16 1/2	13 3/4	12 1/2	3 1/4	4 3/4	8 1/2	9	25.20	43	34.20	60
6	12 1/2	16 1/2	13 3/4	12 1/2	3 1/4	4 1/4	8 1/2	9	25.20	43	34.20	65



No. 1254 Dimensions

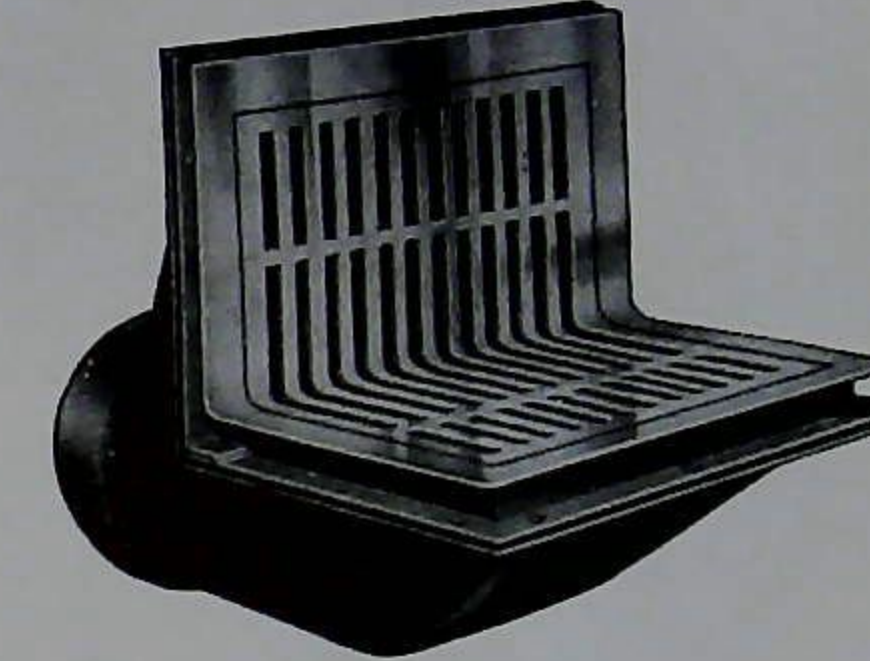
No. 1254 MAIN POOL OUTLET DRAIN WITH REMOVABLE STRAINER

Square Top with Slotted Strainer

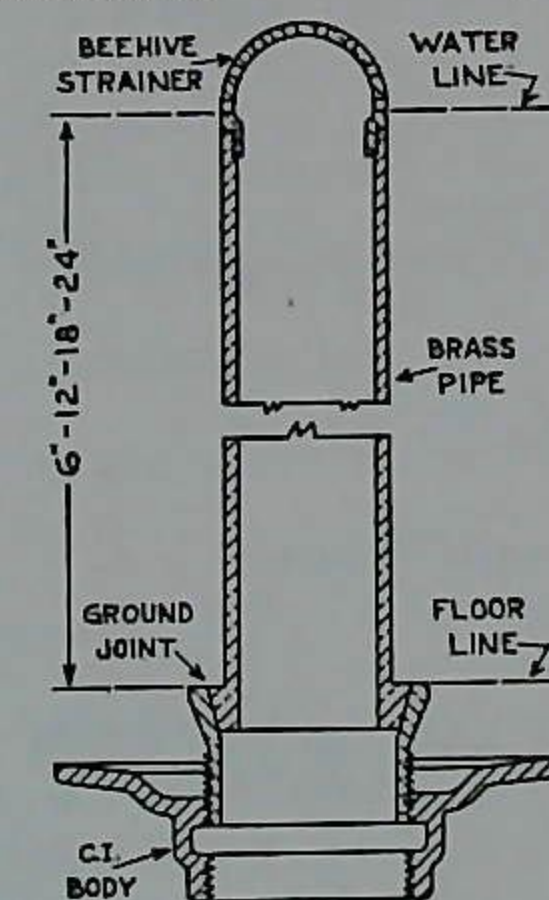
Can be Furnished with Round Hole Strainer when specified Regularly furnished with Hub Outlet for Soil Pipe. Also furnished with Female Threaded Outlet when specified.

Specifications—Dimensions are for Roughing In Only and may vary 1/4 inch.

State Size Outlet Inches	State Size Top Inches	A In.	B In.	C In.	D In.	E In.	F In.	G In.	H In.	I In.	J In.	K In.	L In.	M In.	N In.	O In.	P In.	Q In.	R In.	S In.	T In.	U In.	V In.	W In.	X In.	Y In.	Z In.	Cast Iron Body, Pol. Br. or N. P. Top	App. Wt. Lbs.
5	12x12	17 1/4	12	11	9 3/4	13 1/4	13 1/4	43.00	84																				
6	12x12	17 1/4	12	11	9 1/4	13 1/4	13 1/4	43.00	84																				
8	15 1/4 x 15 1/4	23 1/4	15 1/4	14	18 1/4	24	17 1/4	70.00	175																				
10	15 1/4 x 15 1/4	23 1/4	15 1/4	14	17 1/4	24	17 1/4	70.00	175																				



No. 1256



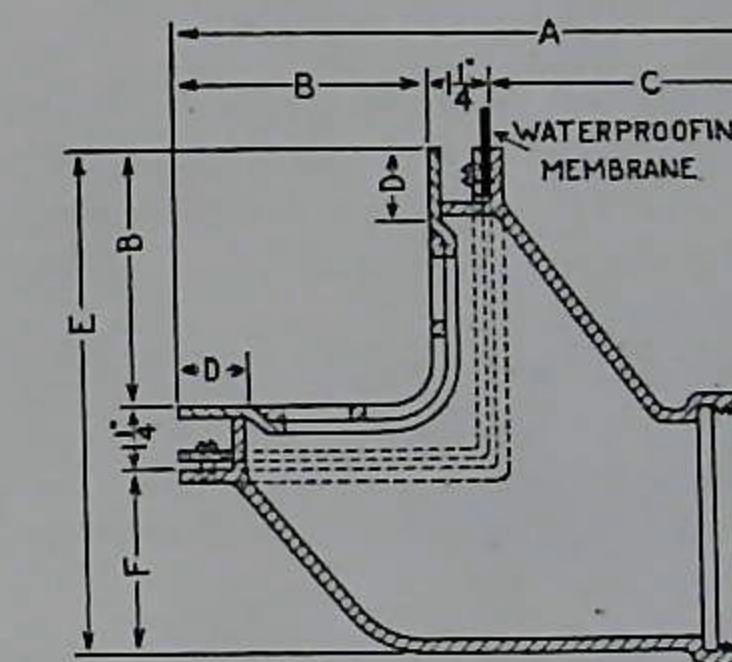
No. 1266

No. 1256 MAIN POOL OUTLET DRAIN WITH REMOVABLE STRAINER (Angle Pattern Reversible)

Regularly furnished with Flashing Connection—Outlet Threaded Female Iron Pipe. Also furnished with Hub Outlet when specified.

Specifications—Dimensions are for Roughing In Only and may vary 1/4 inch.

State Size Outlet Inches	State Size Grate Surface Inches	A In.	B In.	C In.	D In.	E In.	F In.	G In.	H In.	I In.	J In.	K In.	L In.	M In.	N In.	O In.	P In.	Q In.	R In.	S In.	T In.	U In.	V In.	W In.	X In.	Y In.	Z In.	Cast Iron Body, Pol. Br. or N. P. Top	App. Wt. Lbs.
3	*5x8	8 3/4	5	2 1/2	1	8 1/4	2	26.75	30																				
4	*5x8	8 3/4	5	2 1/2	1	8 1/4	2	26.75	30																				
4	*9x10 1/2	16 3/4	7	8 1/2	1 3/4	13 1/4	5	40.00	55																				
5	*9x10 1/2	16 3/4	7	8 1/2	1 3/4	13 1/4	5	40.00	55																				
6	*9x10 1/2	16 3/4	7	8 1/2	1 3/4	13 1/4	5	40.00	55																				



No. 1256 Dimensions

No. 1266 POOL OR FOUNTAIN DRAIN WITH REMOVABLE OVERFLOW CONNECTION (With Safety Pan—No Seep Holes)

State Size Outlet	State Height Standpipe	Cast Iron Body, Pol. Br. or N. P.	Approx. Weight Pounds
2"	6"	\$12.80	9 3/4
2"	12"	14.60	11 3/4
2"	12"	16.40	13 3/4
2"	18"	18.20	15 3/4
3"	6"	16.10	15 1/2
3"	12"	19.70	19 3/4
3"	18"	23.30	24
3"	24"	26.90	28 1/4

Specify whether Nickel Plated or Polished Finish

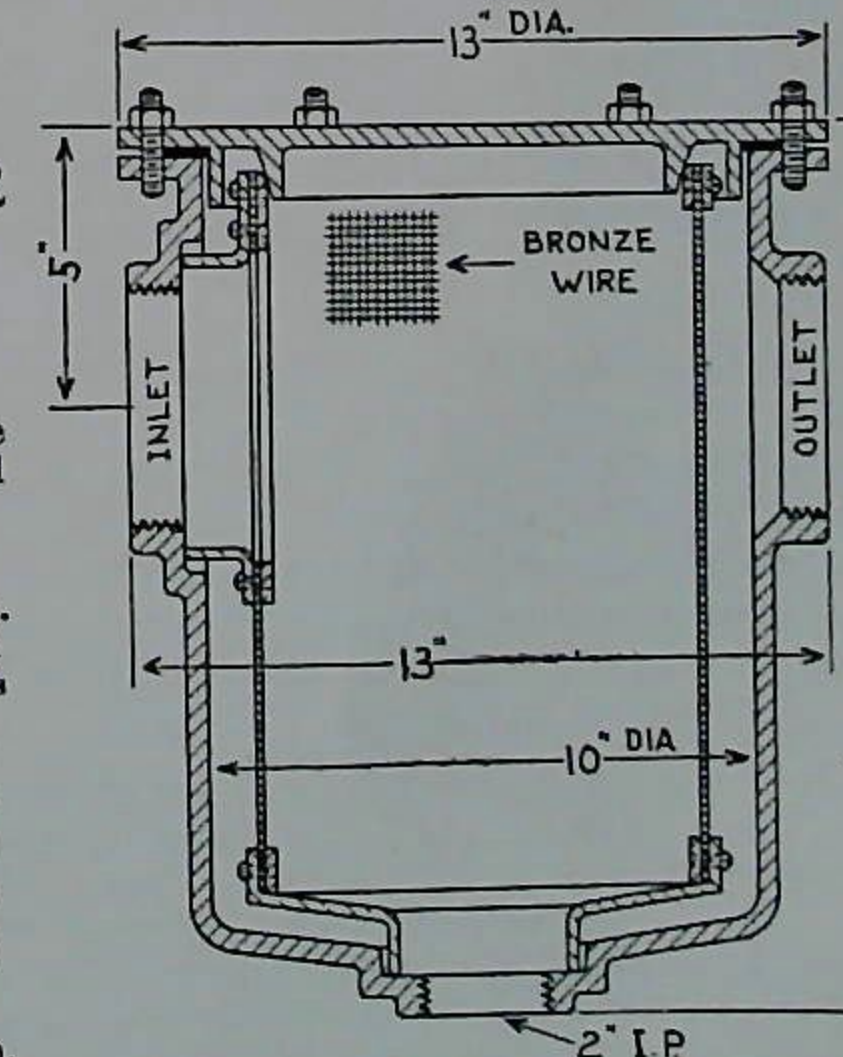
List Prices given are for Nickel Plated or Polished Finish. Can be furnished Chrom. Plated or White Metal Finish, All Cast Brass or Galvanized Iron Body, when specified, at additional cost.

No. 1270 HAIR INTERCEPTOR FOR CIRCULATING LINES

Extra Heavy Cast Iron Body with Removable Cover and Brass Basket

Regularly furnished—Threaded Female Iron Pipe Connections. Can be furnished with Flange Connections at added cost.

State Size Inlet	State Size Outlet	Painted Enameled Cast Iron Body	Approx. Weight Pounds
2"	2"	\$73.00	110
3"	3"	73.00	110
4"	4"	75.50	110
5"	5"	76.50	110
6"	6"	77.50	110



No. 1270

AMERICAN OUTDOOR DRINKING FOUNTAINS

Anti-Freezing

American Type "D" Cast Iron Bubble Fountain is Sanitary, Self-Closing, Anti-Freezing and Self-Draining. The Bubbler is set at an angle from the vertical and opening is above the edge of the receptor so that bubbler opening will not be flooded in case the drain from the bowl of the fountain becomes clogged. Bubbler furnished with Mouth Guard when required. Inside Working Parts can be repaired without digging up and we recommend this fountain for durability and low cost of maintenance. See sectional illustration showing simplicity in construction.



Type "D"

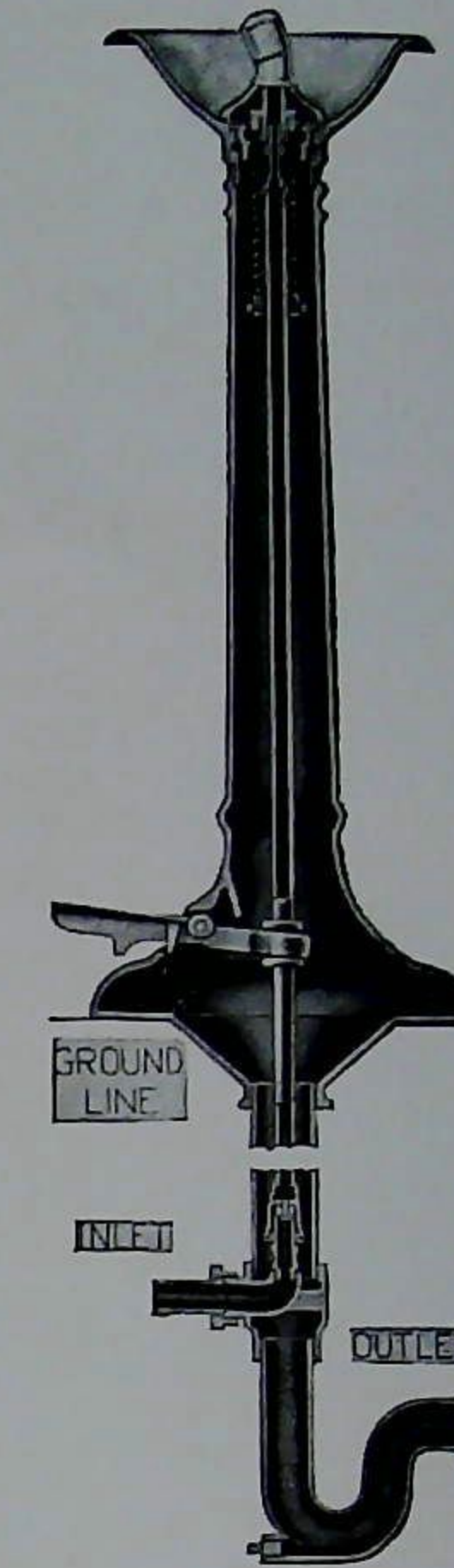
FURNISHED IN THE FOLLOWING FINISHES

Length in Ground	Alum. Ptd. Cast Iron Receptor Painted Pedestal	Porc. Enmld. Cast Iron Receptor Painted Pedestal	Chrom. Pltd. Bronze Receptor Painted Pedestal	Chrom. Pltd. Bronze Receptor Porc. Enmld. Pedestal	Porcelain Enameled All Over
1½ or 2 feet	\$58.00	\$63.00	\$68.00	\$ 98.00	\$103.00
2½ or 3 feet	60.00	65.00	70.00	100.00	105.00
3½ or 4 feet	62.00	67.00	72.00	102.00	107.00
4½ or 5 feet	64.00	69.00	74.00	104.00	109.00
5½ or 6 feet	66.00	71.00	76.00	106.00	111.00

WEIGHT—Approximately 120 pounds for length 2 feet in ground. Add 5 pounds for each additional foot in length.

DESCRIPTION

Receptor—Cast Iron Aluminized painted or Porcelain Enameled—Cast Bronze, Chromium Plated.
Bubbling Nozzle—Bronze, Chromium Plated, Anti-Squirt Type, Concealed regulating screw in head to adjust flow of water.
Pedestal—Cast Iron, strong and durable. Painted Green in color. Other finishes furnished when desired.
Inner Working Parts—All Brass, simple in construction, no complicated or intricate parts to get out of order.
Valve Spring—Phosphor Bronze, rust proof, insures long life.
Supply Pipe—Brass, iron pipe size.
Pedal—Foot Operated, positive shutting off of valve after each operation.
Self-Closing—A slight pressure on the foot pedal supplies a refreshing flow of water which stops instantly when foot is removed.
Self-Draining—No water remains within fountain to freeze in winter or become stagnant in summer.
Anti-Freezing—Inlet Connection and Control Valve buried below frost line.
Trap—Brass Cleanout Plug permits, if necessary, the removal of any foreign matter Without Disconnecting or Removing Fountain from ground.



Sanitary—Clean Sweep Trap, at waste outlet, maintains an absolute water seal, prevents Sewer Gas from rising to drinking point or coming in contact with the supply.
Tested—Each fountain is thoroughly tested before leaving factory.
Repairing—Simplicity of construction permits renewing of valve packings without digging up fountain. By removing pedal, bubble nozzle and spring gland, all inner working parts can then be withdrawn.



No. 75 With Polished Brass Face

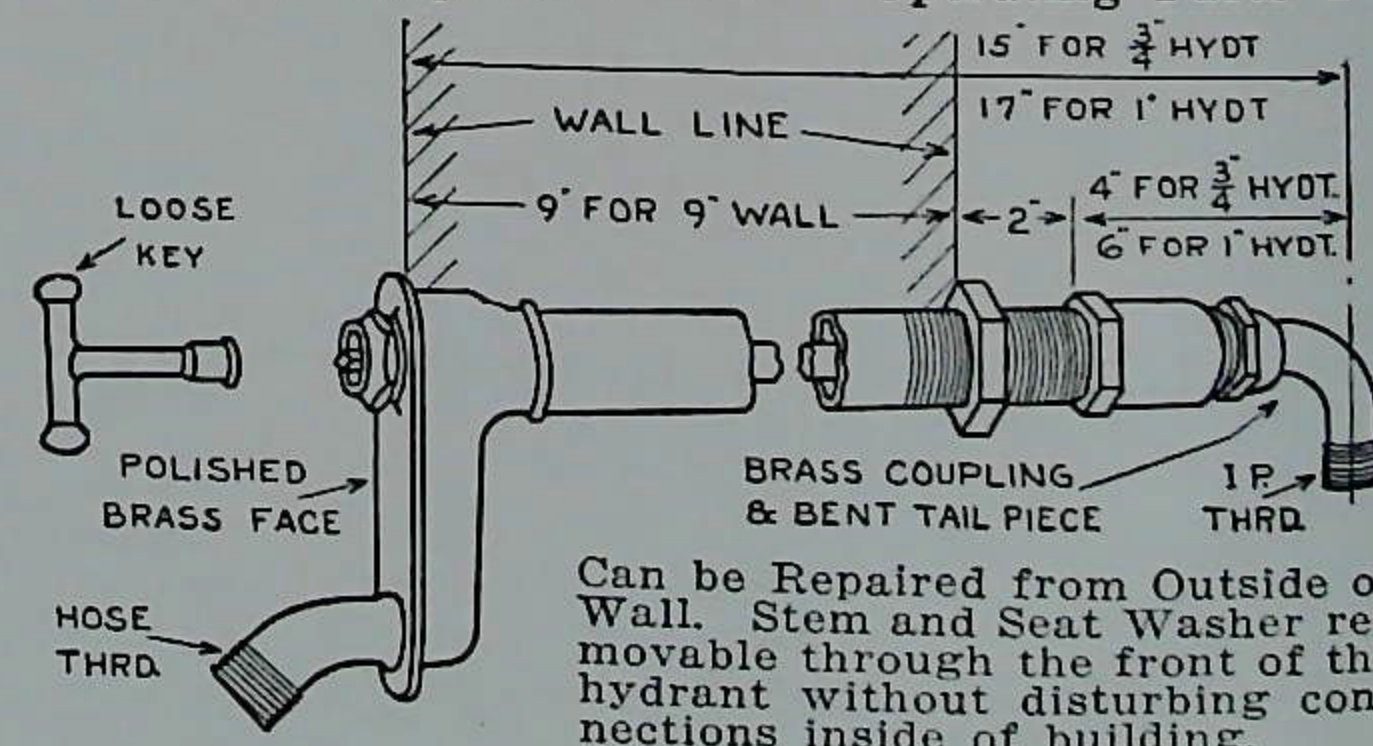
Length—Illustration shows dimensions applying to a hydrant for a 9-inch wall. For other length hydrants to go through wall, these dimensions will be in proportion.
Outer Casing Pipe—Is always 2 inches longer than thickness of wall (allowing for unevenness).
Overall Dimension—For ¾-inch hydrant is always 6 inches longer than thickness of wall, for 1-inch hydrant, 8 inches longer than thickness of wall.

Wall Thickness Inches	9	11	13	15	16	18	20	22	24	26	28	30	32	34	36
*¾-inch Size Each	5.00	5.25	5.50	5.65	5.75	6.00	6.25	6.50	6.75	7.00	7.25	7.50	7.75	8.00	8.25
**1-inch Size Each	9.00	9.30	9.60	9.90	10.05	10.35	10.65	10.95	11.25	11.55	11.85	12.15	12.45	12.75	13.05

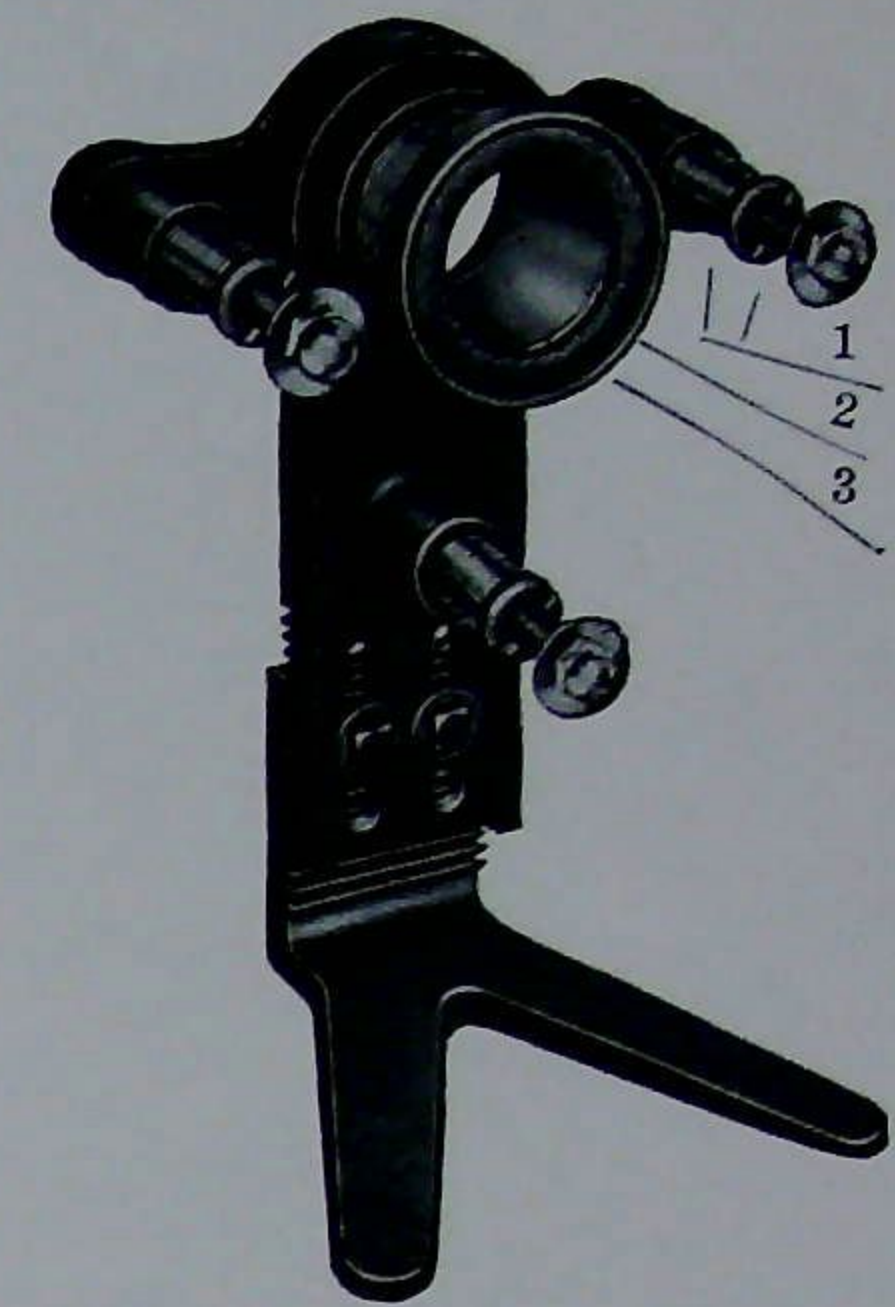
Add for Nickel Plated Face, each \$0.50
 Add for Chromium Plated Face, each \$0.90
 *Size ¾-inch regularly furnished with Nozzle Outlet for ¾-inch Hose Thread, Inlet Connection ½-inch I. P. Thread. Can be furnished with ¾-inch Inlet Connection when specified at same price.
 **Size 1-inch regularly furnished with Nozzle Outlet for 1-inch Hose Thread, Inlet Connection ¾-inch I. P. Thread. Can be furnished with 1-inch Inlet Connection when specified at same price.

AMERICAN WALL HYDRANT

Anti-Freezing Compression Valve—Operating Parts Brass



Can be Repaired from Outside of Wall. Stem and Seat Washer removable through the front of the hydrant without disturbing connections inside of building.



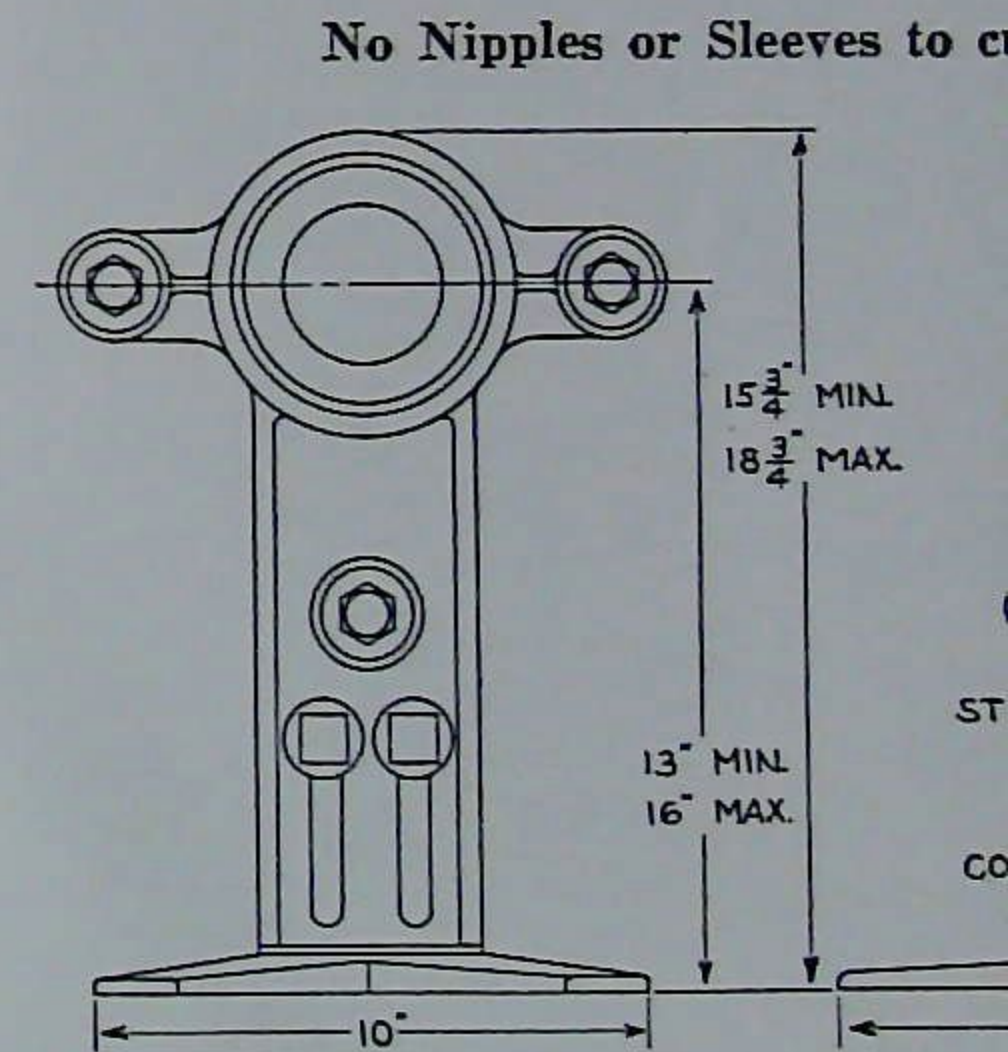
1. Independent Adjustment
2. Adjustable Closet Flange
3. Graphited Asbestos Gasket

Outlet Connection—Can be furnished for Soil Pipe, Lead Pipe or Copper Tubing

Bearing Device—Consists of several bearing sleeves, internally threaded, which screw into holes in the carrier chair; these sleeves have enlarged heads, to support bowl.

Retaining Device—Consists of several retaining sleeves, mounted in carrier chair and provided with washers that engage the bowl and control against the bearing sleeves.

Independent Adjustment—The stud bearing sleeve is turned through the bearing sleeve without contact with the bowl, though the stud bolts turn during the operation of the cap nuts, there is no possibility of sleeve turning and getting out of adjustment.



No. 1 For Blowout B

Complete with Bearing Sleeve, Brass Closet Flange, Graphited Asbestos Gasket, Bolts, Chromium Plated Brass Cap and Washers and Test Plug
 Approximate Weight, Pounds

Regularly furnished with Outlet for Iron Pipe.

ING FOUNTAINS

Anti-Freezing

Self-Closing, Anti-Freezing and Self-Draining. Above the edge of the receptor so that bubbler opening will become clogged. Bubbler furnished with Mouth Guard when opening up and we recommend this fountain for durability and low complexity in construction.

FOLLOWING FINISHES

Enmld. Iron	Chrom. Pltd. Bronze Receptor Painted Pedestal	Chrom. Pltd. Bronze Receptor Porc. Enmld. Pedestal	Porcelain Enameled All Over
\$68.00	\$98.00	\$103.00	
70.00	100.00	105.00	
72.00	102.00	107.00	
74.00	104.00	109.00	
76.00	106.00	111.00	

Additional pounds for length 2 feet in ground. Add 1 pound for each foot in length.

DESCRIPTION

Cast iron painted or Porcelain Enameled—Cast Chromium Plated, Anti-Squirt Type, Control Valve to adjust flow of water. Durable. Painted Green in color. Rust proof, insures long life.

Control Valve buried below frost line. Shutting off of valve after each operation. Foot pedal supplies a refreshing stream of water when foot is removed. Inlet and Control Valve buried below frost line. Permits, if necessary, the removal of any fountain or Removing Fountain from ground.

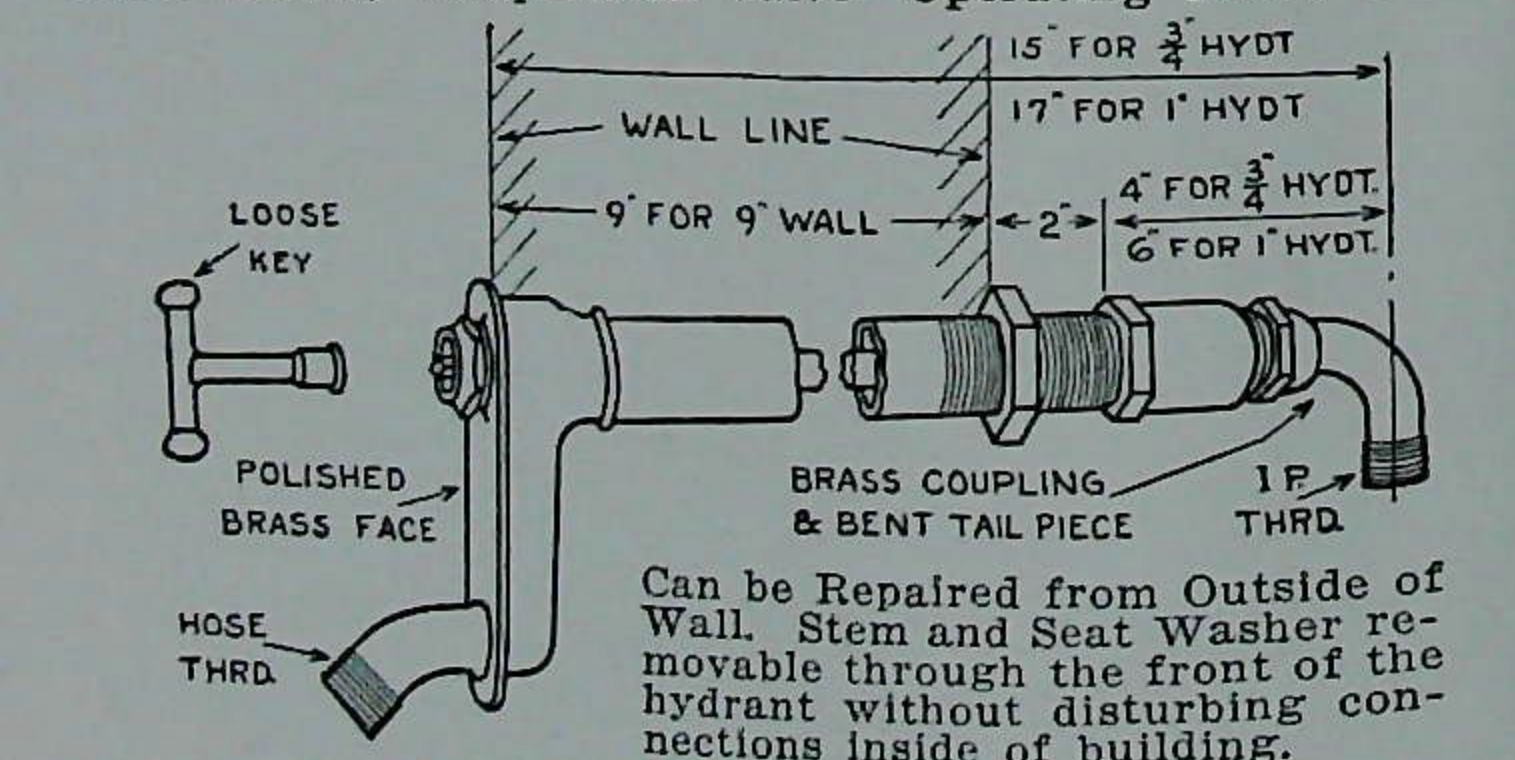


DIMENSIONS

Receptor—12" diameter. Base—14" diameter. Height Above Ground—34". Furnished 30 inches high where required. Length in Ground—1 1/2' from ground line to inlet connection. Longer Lengths—Furnished in multiples of 6". Inlet Connection—3/4" I. P. male thread tailpiece with heavy brass union coupling. Waste Outlet Connection—1 1/2" I. P. female thread. Center of Inlet to Center of Waste Outlet—3 1/2".

AMERICAN WALL HYDRANT

Anti-Freezing Compression Valve—Operating Parts Brass



Can be Repaired from Outside of Wall. Stem and Seat Washer removable through the front of the hydrant without disturbing connections inside of building.

18	20	22	24	26	28	30	32	34	36
6.00	6.25	6.50	6.75	7.00	7.25	7.50	7.75	8.00	8.25
10.35	10.65	10.95	11.25	11.55	11.85	12.15	12.45	12.75	13.05

Add for Chromium Plated Face, each \$0.90

1/4-inch Hose Thread, Inlet Connection 1/2-inch I. P. Thread. Can be furnished at same price.

3/4-inch Hose Thread, Inlet Connection 3/4-inch I. P. Thread. Can be furnished at same price.

AMERICAN ADJUSTABLE CLOSET SUPPORTS

Type 1935

A SUPERIOR SUPPORTING STRUCTURE FOR WALL HUNG CLOSET BOWLS

All Adjustments Made from Front Side of Wall Carrier Chair—Cast Iron, Extra Heavy, Plain or Galvanized, Adjustable in Height. Can be furnished to fit any make of Blowout or Syphon Jet Bowl.

Foot—Cast Iron, Extra Heavy, V-shaped, Non-Slip Adjustment. Can be furnished in reversed position, solid foot and other arrangements when required.

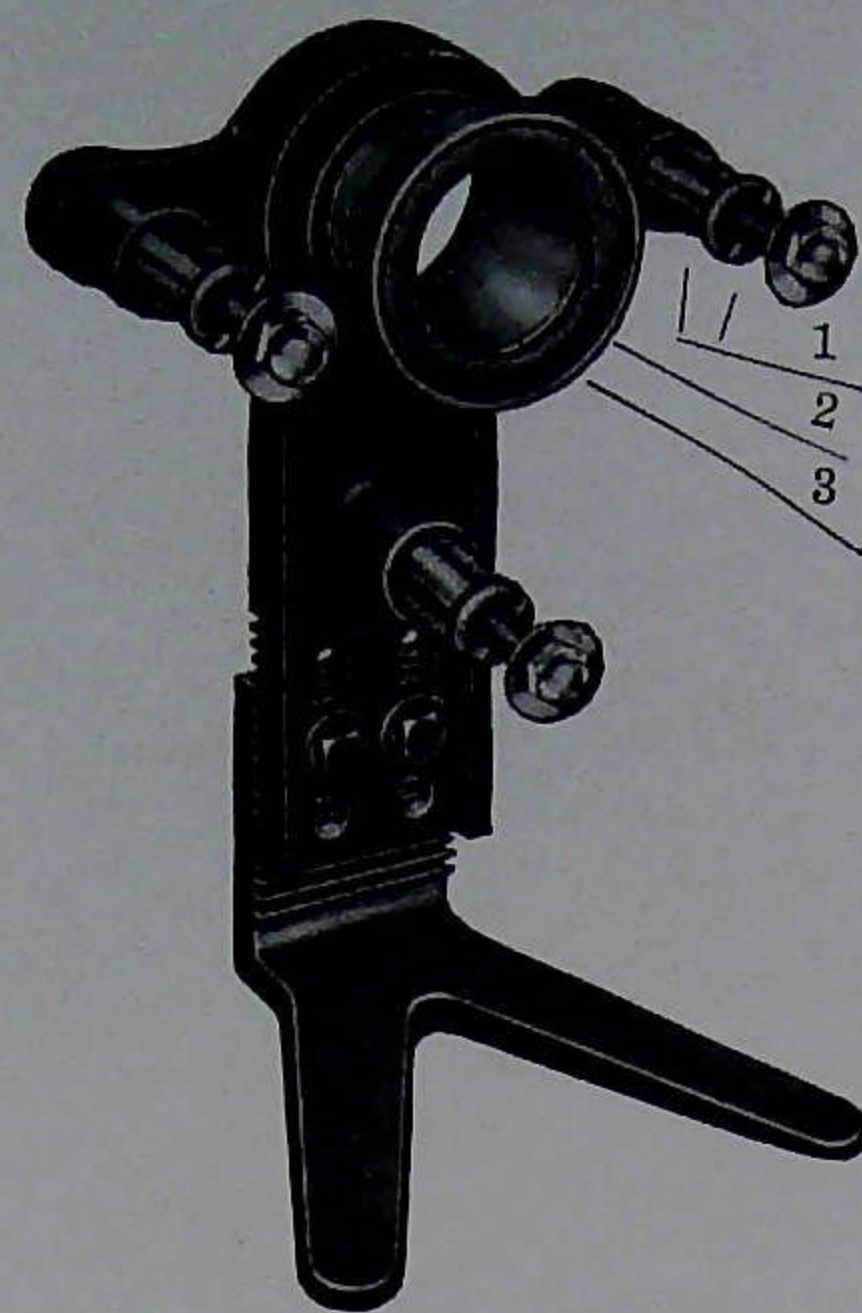
Bearing Sleeves—Cast Iron, externally threaded, screw into internally threaded holes in the carrier chair.

Stud Bolts—Cold Roll Steel, Extra Long, are so threaded that they can be adjusted without cutting them off.

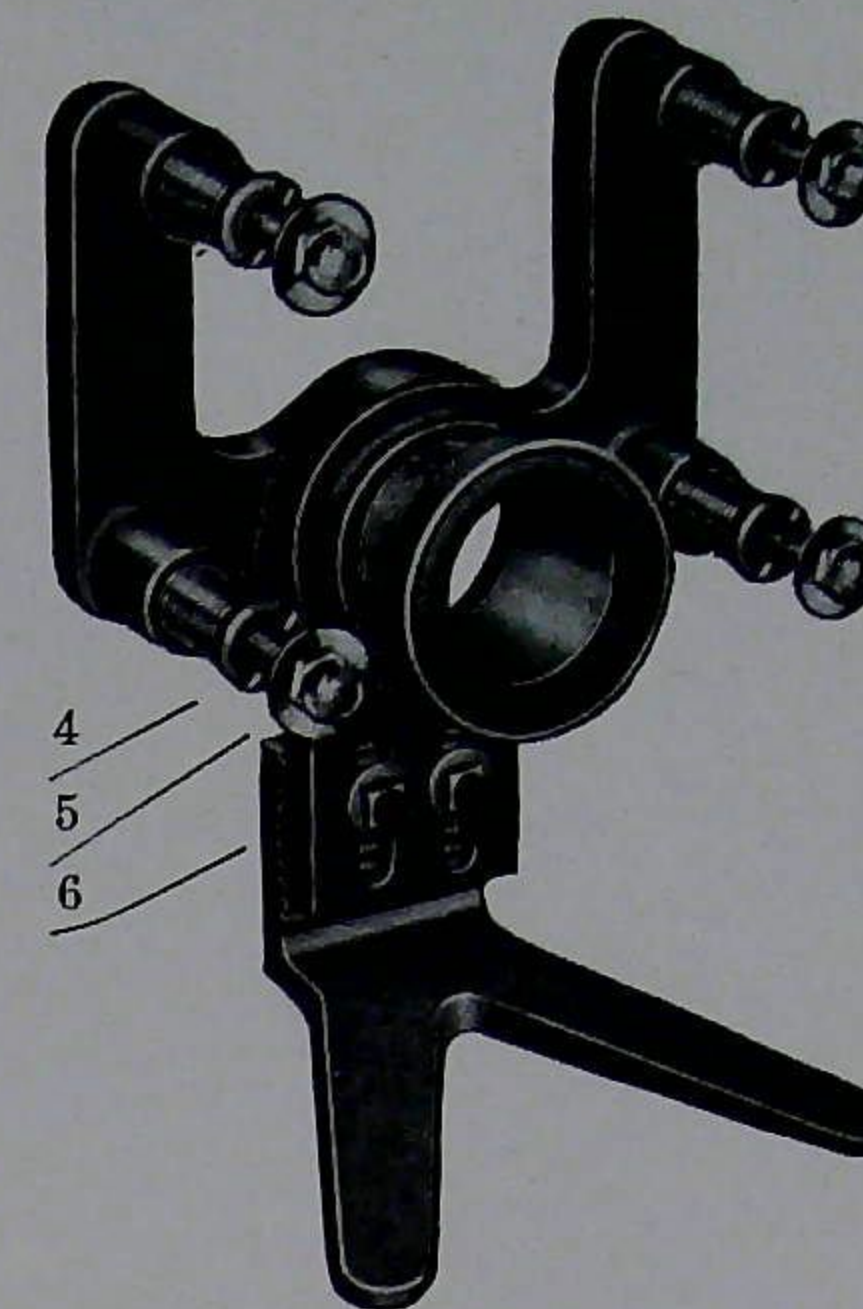
Cap Nuts and Washers—Cast Brass or White Metal with Nickel Plated or Chromium Plated finish.

Closet Flange—Cast Brass, Adjustable, furnished to fit any style of bowl.

Gasket—Graphited Asbestos, furnished to fit any style of bowl.



1. Independent Adjustment
2. Adjustable Closet Flange
3. Graphited Asbestos Gasket



4. Bearing Device
5. Retaining Device
6. Non-Slip Adjustment

Outlet Connection—Can be furnished for Threaded Iron Pipe, Soil Pipe, Lead Pipe or Copper Tubing Soldered Joint.

Bearing Device—Consists of several bearing sleeves externally threaded, which screw into internally threaded holes in the carrier chair; these sleeves are provided with enlarged heads, to support bowl.

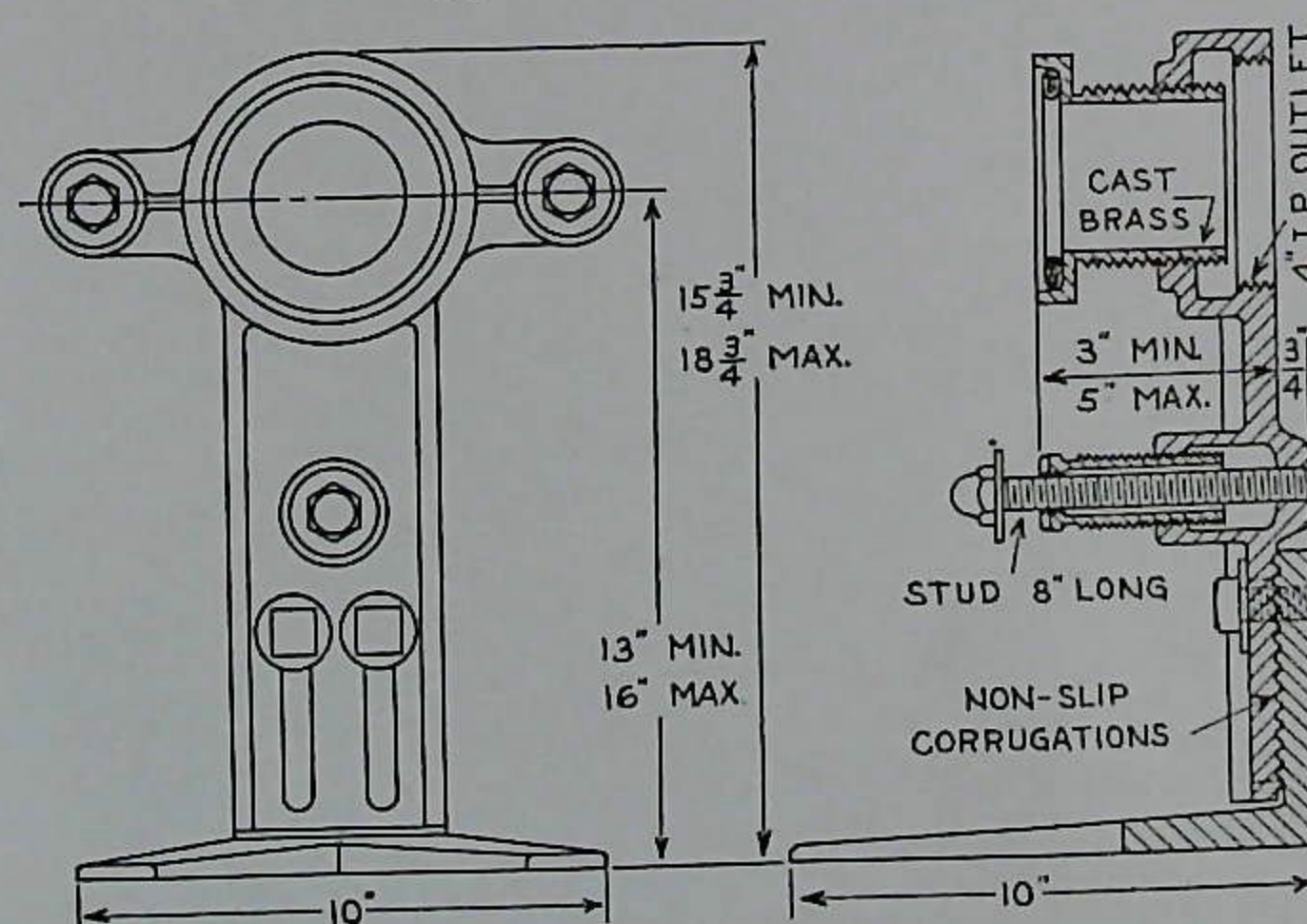
Retaining Device—Consists of several stud bolts adjustably mounted in carrier chair and provided with cap nuts and washers that engage the bowl and clamp same tightly against the bearing sleeves.

Independent Adjustment—The stud bolts pass inwardly through the bearing sleeve without contact, therefore, even though the stud bolts turn during the operation of tightening the cap nuts, there is no possibility of the bearing sleeve turning and getting out of adjustment.

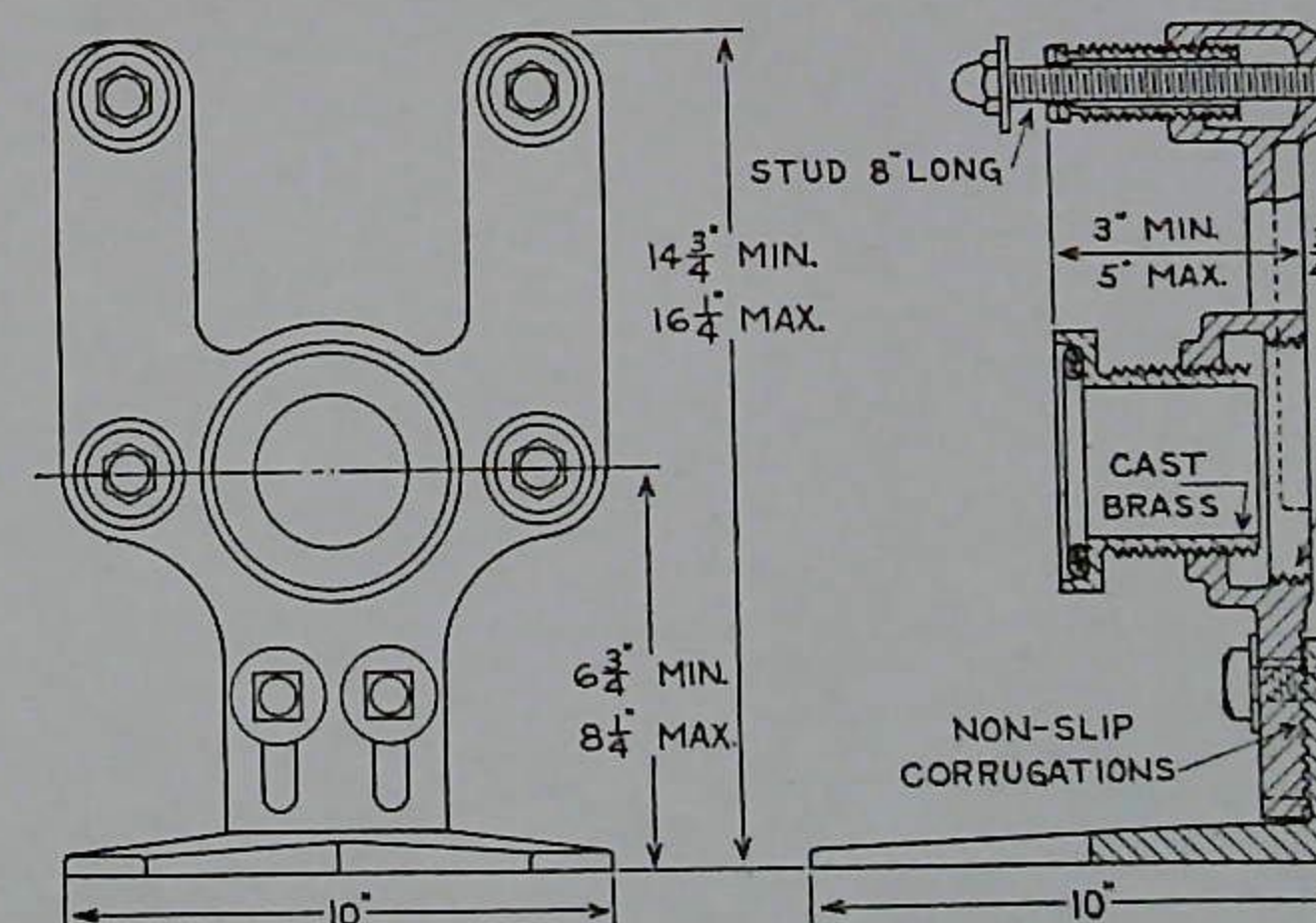
Installation—The carrier chair is embedded in the wall prior to finishing the front face of the wall. If the wall is provided with a facing of tile, marble or the like, the carrier chair is set inwardly some distance from the rough or unfinished face of the wall and after the finished surface is applied, the bearing sleeve pieces are screwed into the carrier chair and set or adjusted so that front ends will project about 1/16 of an inch beyond the finished front face of the wall.

Irregularity or Unevenness—If there is any irregularity or unevenness in the portions of the bowl that come in contact with the wall, or if the finished face of the wall is wavy or irregular, such conditions are taken care of, due to the fact that the bearing sleeves and closet flange are accessible from the front side of the wall and can be easily adjusted so as to set them in proper position.

No Nipples or Sleeves to cut, Lock Nuts to set or other Intricate Parts to get out of adjustment



No. 1 For Blowout Bowl



No. 5 For Syphon Jet Bowl

Complete with Bearing Sleeve, Brass Closet Flange, Graphited Asbestos Gasket, Stud Bolts, Chromium Plated Brass Cap Nuts and Washers and Test Plug.....

List Prices	No. 1	No. 5
	\$15.00	\$16.00
Approximate Weight, Pounds.....	32	37

Regularly furnished with Outlet Threaded Female for Iron Pipe.

Chair Carrier furnished with Solid Foot at No Extra Cost. Specify Style when ordering. Adjustable Foot can be furnished in Reverse Position at No Extra Cost. Longer Foot furnished at Extra Cost. Longer Length Bearing Sleeves, Closet Flanges and Stud Bolts furnished at Extra Cost. Also furnished with Outlet for Soil Pipe.

American Foundry & Mfg. Co.

