

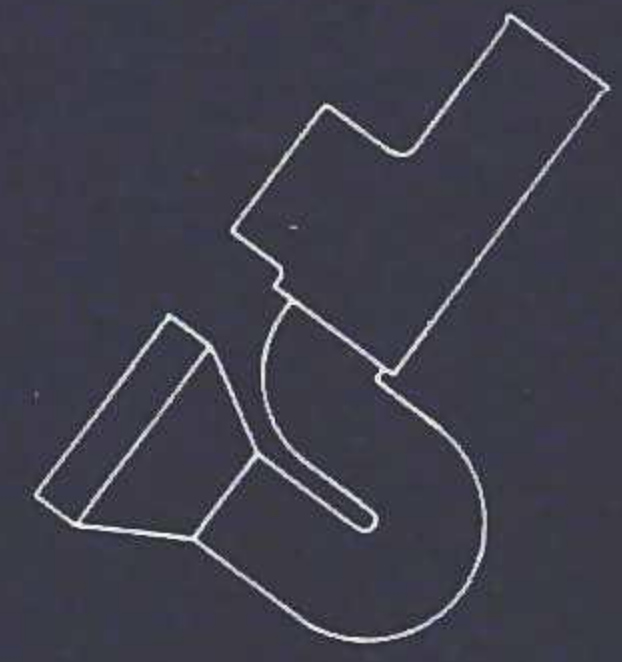
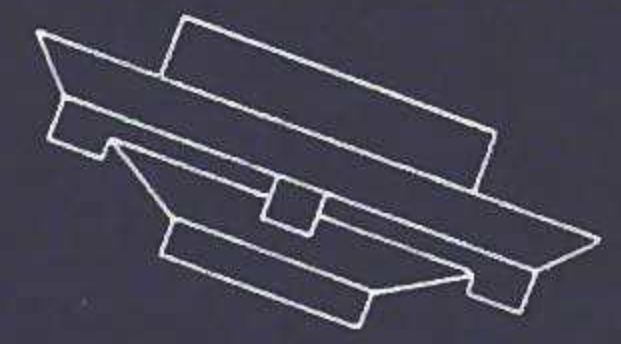
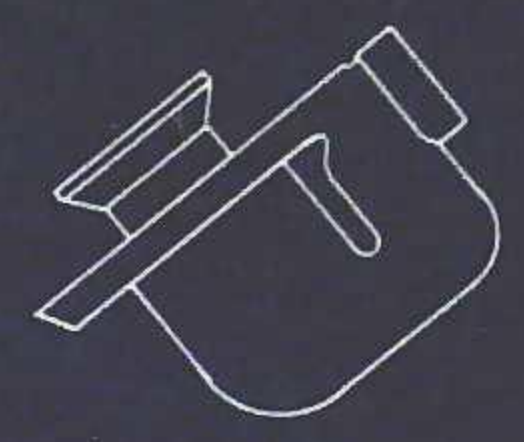
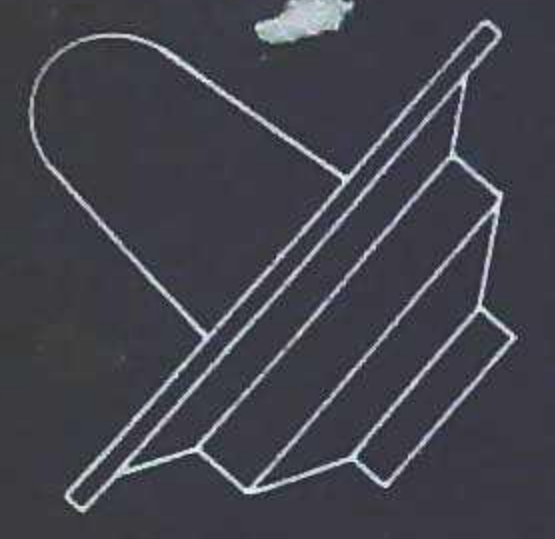
DRAINS

PLUMBING EQUIPMENT SPECIALTIES

CATALOG W-44

WADE MANUFACTURING CO.
DIVISION OF WOODRUFF & EDWARDS, INC.

General Offices and Plant, Elgin, Illinois
REPRESENTATIVES IN PRINCIPAL CITIES



A. I. A. 29c

THE WADE LINE
of
DRAINS
and
PLUMBING EQUIPMENT SPECIALTIES

ADJUSTABLE FLOOR AND SHOWER DRAINS
INDUSTRIAL, PACKING HOUSE AND GARAGE DRAINS
SWIMMING POOL EQUIPMENT
ROOF, DECK AND BALCONY DRAINS
EXPANSION JOINTS—ROOF AND FLOOR SLEEVES
AUTOMATIC AND ELECTRIC BACKWATER VALVES
“SELF-SKIM” GREASE AND OIL INTERCEPTORS
CAST IRON BASINS FOR ALL PURPOSES
ELECTRIC CELLAR DRAINERS
MANHOLE FRAMES AND COVERS AND MUNICIPAL CASTINGS
U. S. GOVERNMENT SPECIFICATION SPECIALTIES

CATALOG W-44



REPRESENTED BY
IRWIN E. SCHMITT
4208 CALIFORNIA AVE.
FL 5373 ST. LOUIS 11, MO

WADE MANUFACTURING COMPANY
DIVISION OF WOODRUFF & EDWARDS, INC.
General Offices and Plant, Elgin, Illinois
REPRESENTATIVES IN PRINCIPAL CITIES

TERMS

This catalog supersedes all previous issues of catalogs or bulletins.
All prices and designs subject to change without notice.
2% cash discount allowed for payment made within ten days from date of invoice.
Net thirty days under other conditions.

Any sales or manufacturers tax imposed under existing or future statutes shall be added to the price herewith effective and shall be paid by the buyer.
All products are guaranteed against defects of workmanship, and if defective will be replaced free of charge, but under no circumstances will we assume liability of any kind for labor charges or damages resulting therefrom.

All weights shown in our catalog are approximate, and are not guaranteed.
No material is to be returned without our permission, and then only on a basis of a 10% handling charge, all transportation charges being prepaid. Any re-conditioning costs that may be necessary will be deducted by us. Claims must be made within ten days of receipt of goods.

Credit for returned material will be given as merchandise credit only to apply on future purchases. No cash refunds will be made.

All shipments are made f. o. b. cars Chicago, Ill., unless otherwise agreed upon.
Cancellation or changes in specifications of special material made on order will be honored only on written notice, and any charges incurred will be chargeable to purchaser.

Material made on special order and not shown by us remains the property of the purchaser and must be paid for.

All agreements or contracts are contingent upon strikes, accidents, and other delays which are unavoidable or are beyond our control.

This Company is strictly an independent concern, and is not in any manner affiliated with any other firm using the name of WADE either as part of its name or to designate its products.

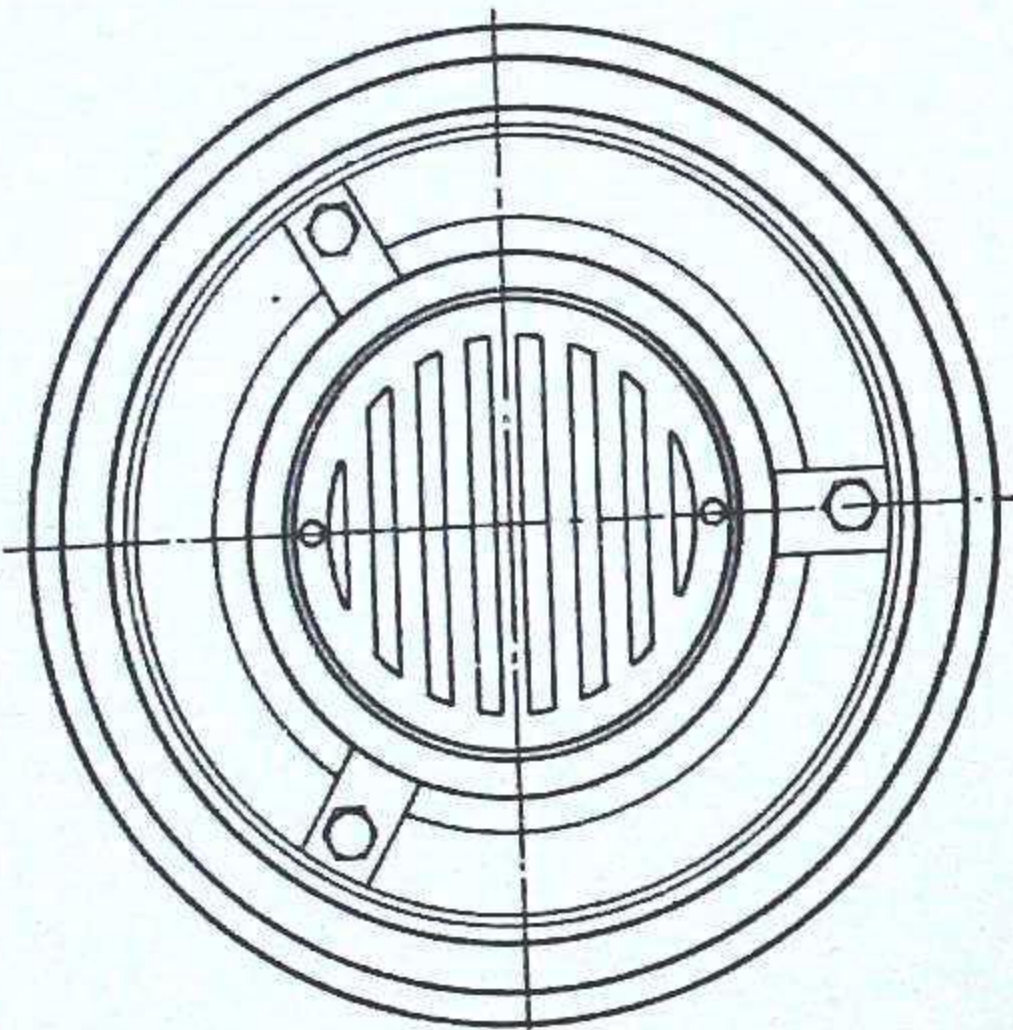
SPECIFICATION AND NUMERICAL INDEX

Description	Series No.	Page No.	Description	Series No.	Page No.	
Adjustable Brass Top, Floor and Shower Drains.....	W-912 to W-934	9	Floor Drains with Buckets	W-1700	16	
	W-1100	4		W-1710	16	
	W-1120	5		W-1720	16	
	W-1140	5		W-1750	17	
	W-1160	6		W-1760	17	
	W-1180	6		W-1780	17	
	W-1210	7		W-1790	17	
	W-1220	7		Heavy Duty Floor Drains Less Flange...	W-1810	18
	W-1240	7			W-1820	18
	W-1260	8			W-1830	18
	W-1270	8			W-1860	18
					W-1870	18
					W-1900	19
					W-1930	19
Extra Heavy and Medium Duty Floor Drains.....	W-1400	10	Floor Drains with Traps and Cleanouts..	W-2030	20	
	W-1410	10		W-2050	20	
	W-1430	11		W-2080	21	
	W-1440	11		W-2090	21	
	W-1460	11		W-2210	22	
	W-1470	11		W-2220	22	
	W-1480-S	12		W-2230	22	
	W-1480-T	12		W-2250	22	
	W-1491	12		Cesspool Area Drains.....	W-2310	23
	W-1492	12			W-2320	23
	W-1493	12			W-2330	23
	W-1500	13			W-2340	23
	W-1510	13			W-2360	23
	W-1540	13			W-2370	23
	W-1550	14			W-2380	23
	W-1560	14			W-2390	23
	W-1570	14				
	W-1580	14				
	W-1600	15				
	W-1620	15				
W-1630	15					
W-1640	15					

SPECIFICATION AND NUMERICAL INDEX (Continued)

Description	Series No.	Page No.	Description	Series No.	Page No.		
Swimming Pool Drains and Equipment.....	W-2700-R	24	Garage, Steam and Ejector Basins.....	W-6300	49		
	W-2700-S	24		W-6320	49		
	W-2710-F	24		W-6340	49		
	W-2710-V	24		W-6400	50		
	W-2740-S	25		W-6500	51		
	W-2740-T	25	Cellar Drainers.....	W-6600	52		
	W-2750-K	25		Medium Weight Manhole Frames and Covers.....	W-7210	53	
	W-2750-L	25			W-7220	53	
	W-2750-M	25			W-7230	53	
	W-2750-P	25			W-7250	53	
	W-2800	26			W-7260	53	
	W-2810	26			W-7270	53	
	W-2830	26			W-7300	54	
	W-2840	26			W-7350	54	
	W-2850	27			W-7360	54	
	W-2860	27	W-7380		54		
	W-2870	27	Extra Heavy Street Manholes.....	W-7400	55		
W-2880	27	W-7510		56			
		W-7530		56			
Roof and Deck Drains.....	W-3100	28		Meter and Coal Hole Covers.....	W-7550	56	
	W-3110	28			W-7560	56	
	W-3130	29			W-7600	57	
	W-3150	29			Rectangular Covers.....	W-7630	57
	W-3170	30				W-7650	57
	W-3190	30				W-7660	57
	W-3200	31				Municipal and Government Manhole Covers.....	W-7710
	W-3210	31	W-7720				58
	W-3220	31	W-7750				58
	Balcony, Cornice and Parapet Drains.....	W-3230	32				W-7770
W-3230-S		32	W-7780	58			
W-3240		32	W-7800	59			
W-3260		33	W-7810	59			
W-3270		33	W-7820	59			
W-3280		33	W-7850	59			
Expansion Joints and Leader Connectors.....		W-3300	34	Cleanouts and Grates.....	W-7900		60
	W-3340	34	W-7910		60		
	W-3350	34	W-7930		60		
	W-3360	34	W-7940		60		
	W-3370	34	W-7960		60		
	W-3380	34	W-7970		60		
			W-7980		60		
Roof and Floor Sleeves.....	W-3400	35	Seals, Traps and Specialties.....		W-8010	61	
	W-3600	35			W-8050	61	
	Automatic and Electric Back Water Valves.....	W-4200			36	W-8110	61
		W-4230		37	W-8120	61	
		W-4250		37	W-8200	62	
		W-4500		39	W-8300	62	
		W-4550		38	W-8400	62	
		W-4600		40	U. S. Government Specification Specialties	W-8610	62
		W-4650		40		W-8620	62
		W-4840		41		W-8630	63
W-4850		41	W-8640	63			
W-4880-G		41	W-8650	63			
W-4880-H	41	W-8660	63				
Grease, Oil and Hair Interceptors.....	W-5000	42	W-8670	63			
	W-5020	44	W-8680	63			
	W-5030	44	W-8690	63			
	W-5900	44					
Grease, Gravel and Drainage Basins.....	W-6000	45					
	W-6020	45					
	W-6100	46					
	W-6200	47					
	W-6250	48					
	W-6280	48					

FLOOR AND SHOWER DRAIN WITH SEEPAGE FLANGE AND ADJUSTABLE STRAINER
SERIES W-1100



● **RECOMMENDED USES:**

- (1) All types of floor construction, shower receptors, urinals, gutters, etc.
- (2) Construction not requiring drain with integral trap.

● **STANDARD CONSTRUCTION:**

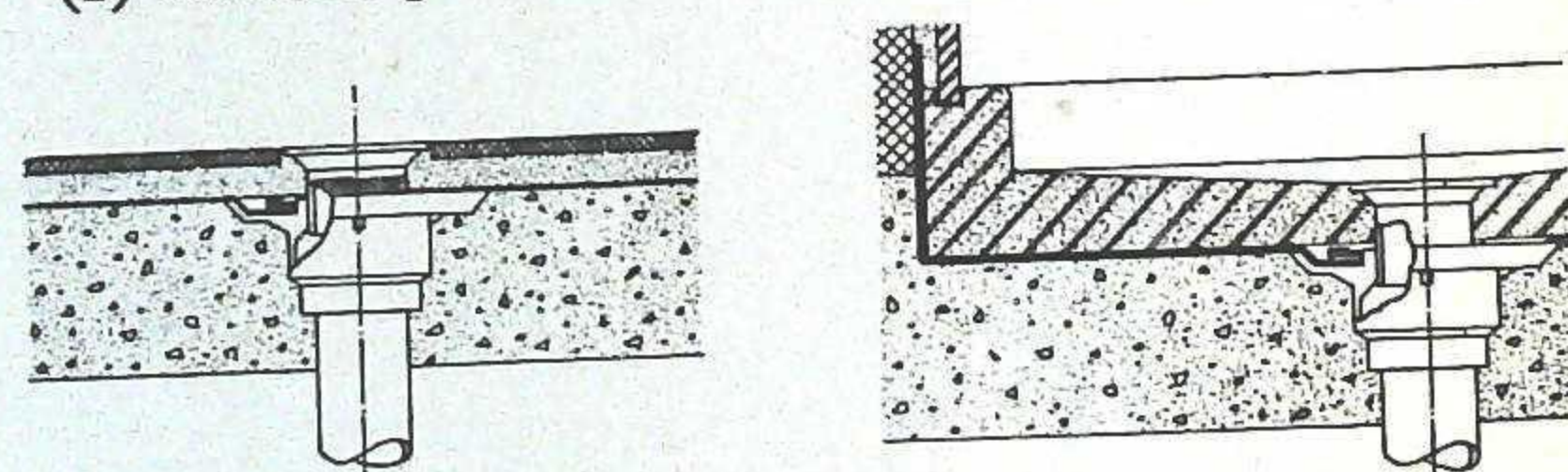
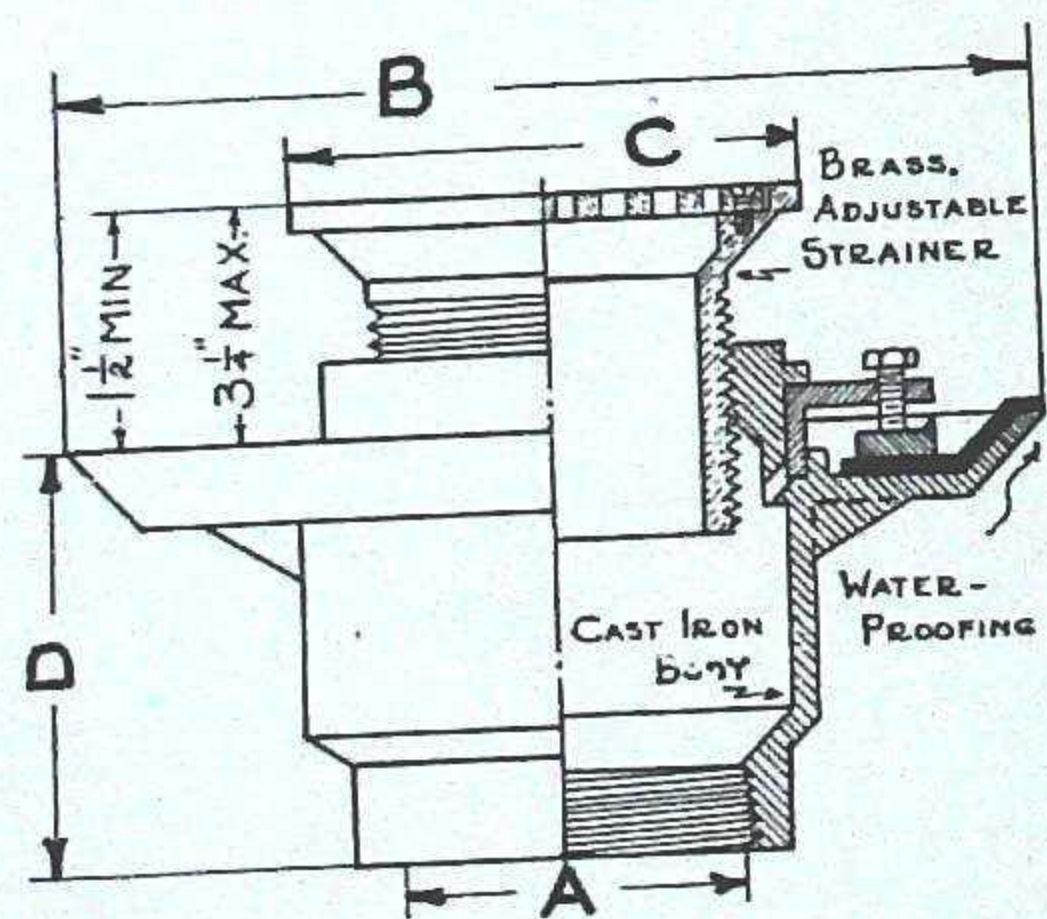
- (1) Cast iron body with adjustable brass strainer for any floor construction.
- (2) Strainer furnished with polished brass or nickel plated finish. See table below for other finishes.
- (3) Female threaded outlet; hub outlet optional.
- (4) Conforms to Government Specification WW-P-541, Fig. 74, and paragraph E-10p (2).

● **SPECIAL CONSTRUCTION:**

- (1) Strainers furnished in many sizes, shapes, and finishes; see page 9 for details.
- (2) Clamping device furnished at extra cost.

● **FEATURES:**

- (1) Body of drain threaded for standard iron pipe testing plugs, simplifying installation, and reducing labor costs.
- (2) Anchors prevent turning of drain in floor.

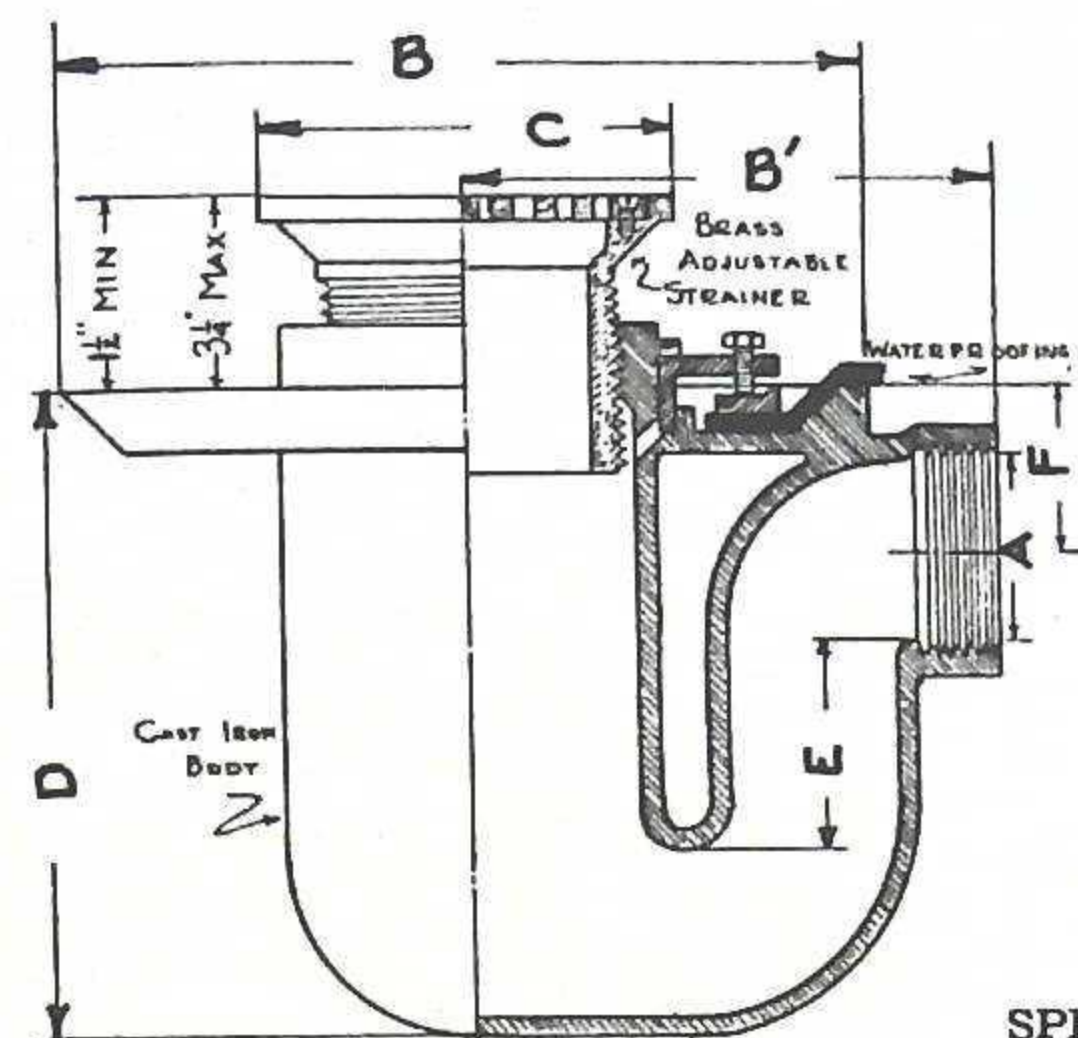


SPECIFICATIONS AND LIST PRICES

No.	Dimensions				Wt.	C. I. Body Brass Top		All Brass	Add for White Metal Strainer	Add for Chrome Plated Strainer
	A	B	*C	D		Black	Galv.			
W-1101.....	1 1/2	9 5/8	*4	3 5/8	13	\$ 7.60	\$ 9.60	\$13.00	\$ 1.75	\$ 0.70
W-1101.....	1 1/2	9 5/8	5	3 5/8	13	8.20	10.85	14.10	2.35	.95
W-1101.....	1 1/2	9 5/8	6	3 5/8	13	10.00	12.65	15.90	3.25	1.15
W-1102.....	2	9 5/8	4	3 5/8	13	7.60	9.60	13.00	1.75	.70
W-1102.....	2	9 5/8	*5	3 5/8	13	8.20	10.85	14.10	2.35	.95
W-1102.....	2	9 5/8	6	3 5/8	13	10.00	12.65	15.90	3.25	1.15
W-1103.....	3	9 5/8	4	3 5/8	15	9.40	12.35	16.50	1.75	.70
W-1103.....	3	9 5/8	*5	3 5/8	15	10.60	13.55	17.65	2.35	.95
W-1103.....	3	9 5/8	6	3 5/8	15	12.40	15.35	19.50	3.25	1.15
W-1103.....	3	9 5/8	7	3 5/8	15	14.10	17.10	21.25	4.10	1.75
W-1103.....	3	9 5/8	8	3 5/8	15	15.90	19.25	23.00	5.00	2.35
W-1104.....	4	10 5/8	5	3 5/8	17	11.70	15.20	19.40	2.35	.95
W-1104.....	4	10 5/8	*6	3 5/8	17	13.50	17.00	21.20	3.25	1.15
W-1104.....	4	10 5/8	7	3 5/8	17	15.25	18.75	23.00	4.10	1.75
W-1104.....	4	10 5/8	8	3 5/8	17	17.00	20.50	24.75	5.00	2.35
W-1104.....	4	10 5/8	10	3 5/8	17	20.50	24.00	28.20	6.75	3.50
Add for Clamping Lugs.....						1.15	1.75	2.95		

*Strainer size furnished unless otherwise ordered. See page 9 for other styles.

FLOOR AND SHOWER DRAIN WITH SEEPAGE FLANGE AND TRAP AND WITH ADJUSTABLE STRAINER
SERIES W-1120



● **RECOMMENDED USES:**

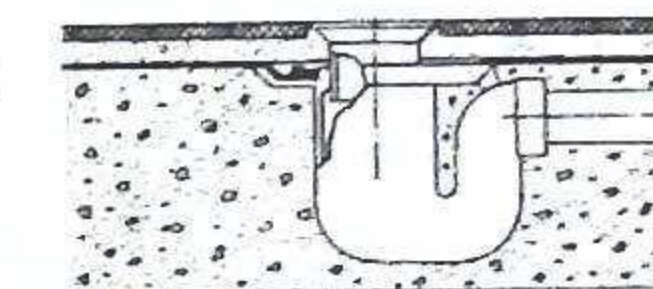
- (1) All types of floor construction, shower floors and receptors, kitchens and toilet rooms, etc.
- (2) Construction requiring drain with integral trap and where there is adequate height for unit.

● **STANDARD CONSTRUCTION:**

- (1) Cast iron body with adjustable brass strainer; female threaded outlet.
- (2) Strainer furnished polished brass; see table below for variations.
- (3) Conforms to Government Specification WW-P-541, Fig. 75.

● **SPECIAL CONSTRUCTION:**

- (1) Strainers furnished in many styles; see page 9.
- (2) Clamping device furnished at added cost.
- (3) Hub outlet optional.



SPECIFICATIONS AND LIST PRICES

No.	Dimensions							Wt.	Cast Iron		All Brass	Add for White Metal Strainer	Add for Chrome Plated Strainer
	A	B	B'	*C	D	E	F		Black	Galv.			
W-1121.....	1 1/2	9 5/8	6	4	8	2 5/8	2	22	\$14.10	\$19.40	\$26.00	\$1.75	\$0.70
W-1121.....	1 1/2	9 5/8	6	*5	8	2 5/8	2	22	15.30	20.60	27.00	2.35	.95
W-1121.....	1 1/2	9 5/8	6	6	8	2 5/8	2	22	17.10	22.40	29.00	3.25	1.15
W-1122.....	2	9 5/8	6	4	8	2 5/8	2	22	14.10	19.40	26.00	1.75	.70
W-1122.....	2	9 5/8	6	*5	8	2 5/8	2	22	15.30	20.60	27.00	2.35	.95
W-1122.....	2	9 5/8	6	6	8	2 5/8	2	22	17.10	22.40	29.00	3.25	1.15
W-1123.....	3	9 5/8	7 1/2	*5	10	2 5/8	2 1/2	28	20.00	27.70	37.50	2.35	.95
W-1123.....	3	9 5/8	7 1/2	6	10	2 5/8	2 1/2	28	21.80	29.50	39.50	3.25	1.15
W-1123.....	3	9 5/8	7 1/2	7	10	2 5/8	2 1/2	28	23.50	31.25	41.25	4.10	1.75
W-1123.....	3	9 5/8	7 1/2	8	10	2 5/8	2 1/2	28	25.30	33.00	43.00	5.00	2.35
W-1124.....	4	10 5/8	8 3/4	5	11 1/2	2 5/8	3	35	25.20	35.40	48.00	2.35	.95
W-1124.....	4	10 5/8	8 3/4	*6	11 1/2	2 5/8	3	35	27.00	37.25	47.00	3.25	1.15
W-1124.....	4	10 5/8	8 3/4	8	11 1/2	2 5/8	3	35	30.50	40.75	50.50	5.00	2.35
W-1124.....	4	10 5/8	8 3/4	10	11 1/2	2 5/8	3	35	34.00	44.25	54.00	6.75	3.50

SERIES W-1140

W-1141.....	1 1/2	9 5/8	6 3/4	4	6 1/4	1 1/2	1 3/4	20	14.65	20.25	27.50	1.75	.70
W-1141.....	1 1/2	9 5/8	6 3/4	5	6 1/4	1 1/2	1 3/4	20	15.85	21.50	28.80	2.35	.95
W-1142.....	2	9 5/8	7 3/4	4	6 1/4	1 1/2	1 3/4	20	14.65	20.25	27.50	1.75	.70
W-1142.....	2	9 5/8	7 3/4	5	6 1/4	1 1/2	1 3/4	20	15.85	21.50	28.80	2.35	.95
W-1143.....	3	9 5/8	7 3/4	5	7 1/2	2	2 3/8	30	20.50	28.60	39.50	2.35	.95
W-1143.....	3	9 5/8	7 3/4	6	7 1/2	2	2 3/8	30	22.40	30.50	41.25	3.25	1.15

Add for Clamping Lugs.....

*Strainer size furnished unless otherwise ordered. See page 9 for other styles.

SHALLOW TYPE FLOOR DRAIN WITH SEEPAGE FLANGE AND TRAP
SERIES W-1140

● **RECOMMENDED USES:**

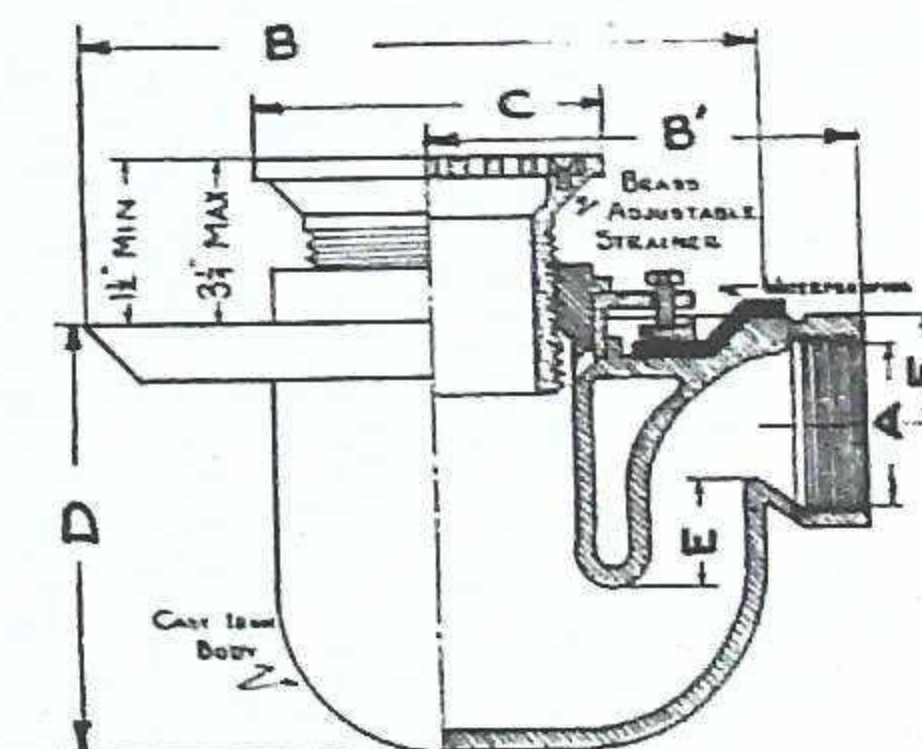
- (1) Floors in toilet rooms, showers, school gymnasiums, etc.
- (2) Construction requiring a shallow height drain with an integral trap.

● **STANDARD CONSTRUCTION:**

- (1) Cast iron body with adjustable brass strainer; female threaded outlet.
- (2) Polished brass or nickel plated strainer; see page 9 for other types and finishes.
- (3) Conforms to Government Specification WW-P-541, Fig. 75, and paragraph E-10p(2).

● **SPECIAL CONSTRUCTION:**

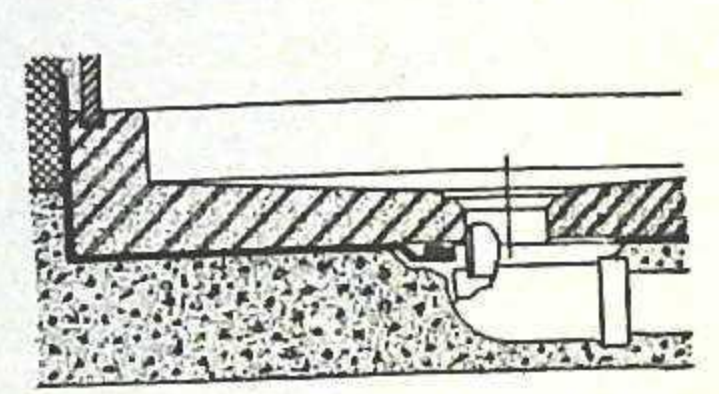
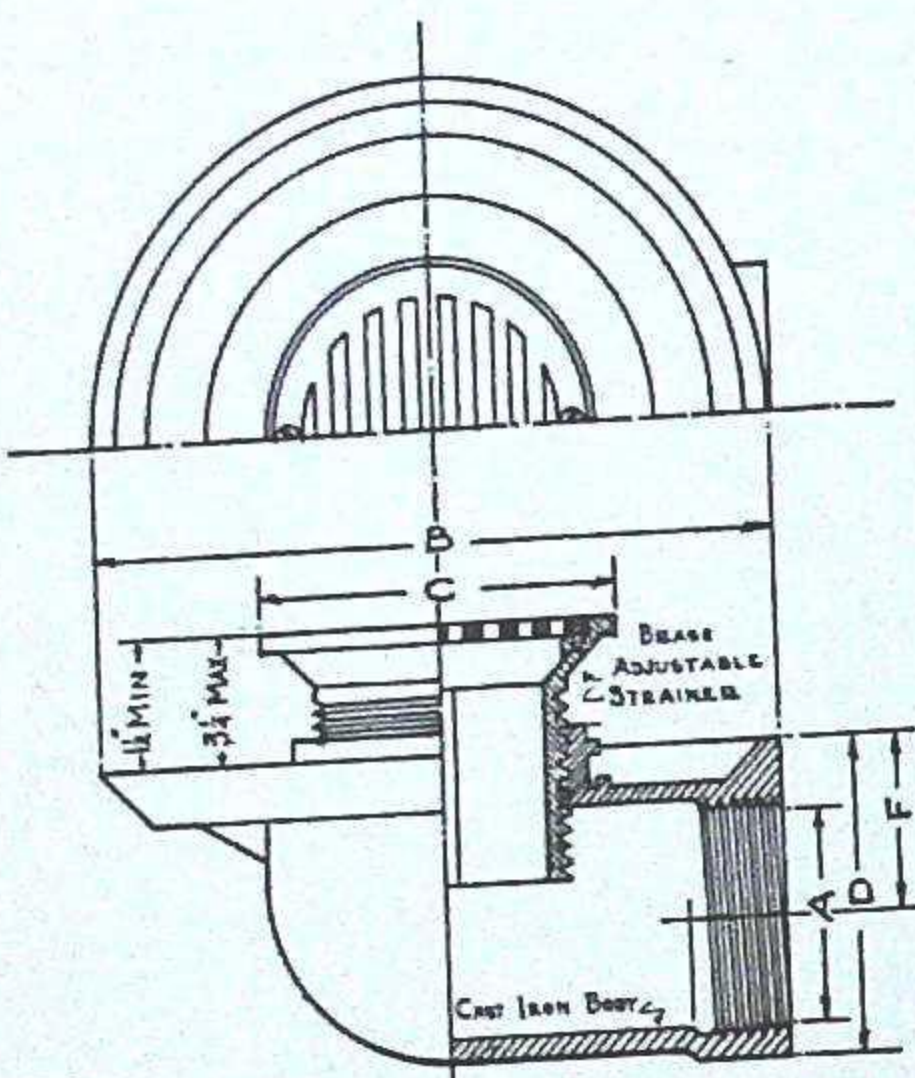
- (1) Hub outlet optional.
- (2) Clamping device furnished at added cost.



FLOOR AND SHOWER DRAIN WITH SIDE OUTLET, SEEPAGE FLANGE AND ADJUSTABLE STRAINER

SERIES W-1160

- **RECOMMENDED USES:**
 - (1) Floor construction in shower stalls, receptors, etc., requiring shallow side outlet drain without trap.
 - (2) Similar to W-1100 except for side outlet.
- **STANDARD CONSTRUCTION:**
 - (1) Cast iron body with adjustable brass strainer; female threaded outlet.
 - (2) Strainer furnished polished brass or nickel plated; see table below for variations.
- **SPECIAL CONSTRUCTION:**
 - (1) Strainers furnished in many styles; see page 9.
 - (2) Clamping device furnished at added cost.
 - (3) Hub outlet if specified.



SPECIFICATIONS AND LIST PRICES

No.	Dimensions							Wt.	Cast Iron		All Brass	Add for White Metal Strainer	Add for Chrome Plated Strainer
	A	B	B ¹	*C	D	E	F		Black	Galv.			
W-1161.....	1½	9 5/8	4	4	2 3/4	12	\$ 9.40	\$12.35	\$17.00	\$1.75	\$0.70
W-1162.....	2	9 5/8	4	4	2 1/2	12	9.40	12.35	17.00	1.75	.70
W-1163.....	3	9 5/8	*5	6	3	14	12.95	17.05	21.20	2.35	.95
W-1163.....	3	9 5/8	6	6	3	14	14.75	18.85	23.00	3.25	1.15
W-1164.....	4	9 5/8	*6	8	3 1/2	17	17.10	20.00	27.00	3.25	1.15
W-1164.....	4	10 5/8	8	8	3 1/2	17	20.50	23.50	30.50	5.00	2.35

SERIES W-1180

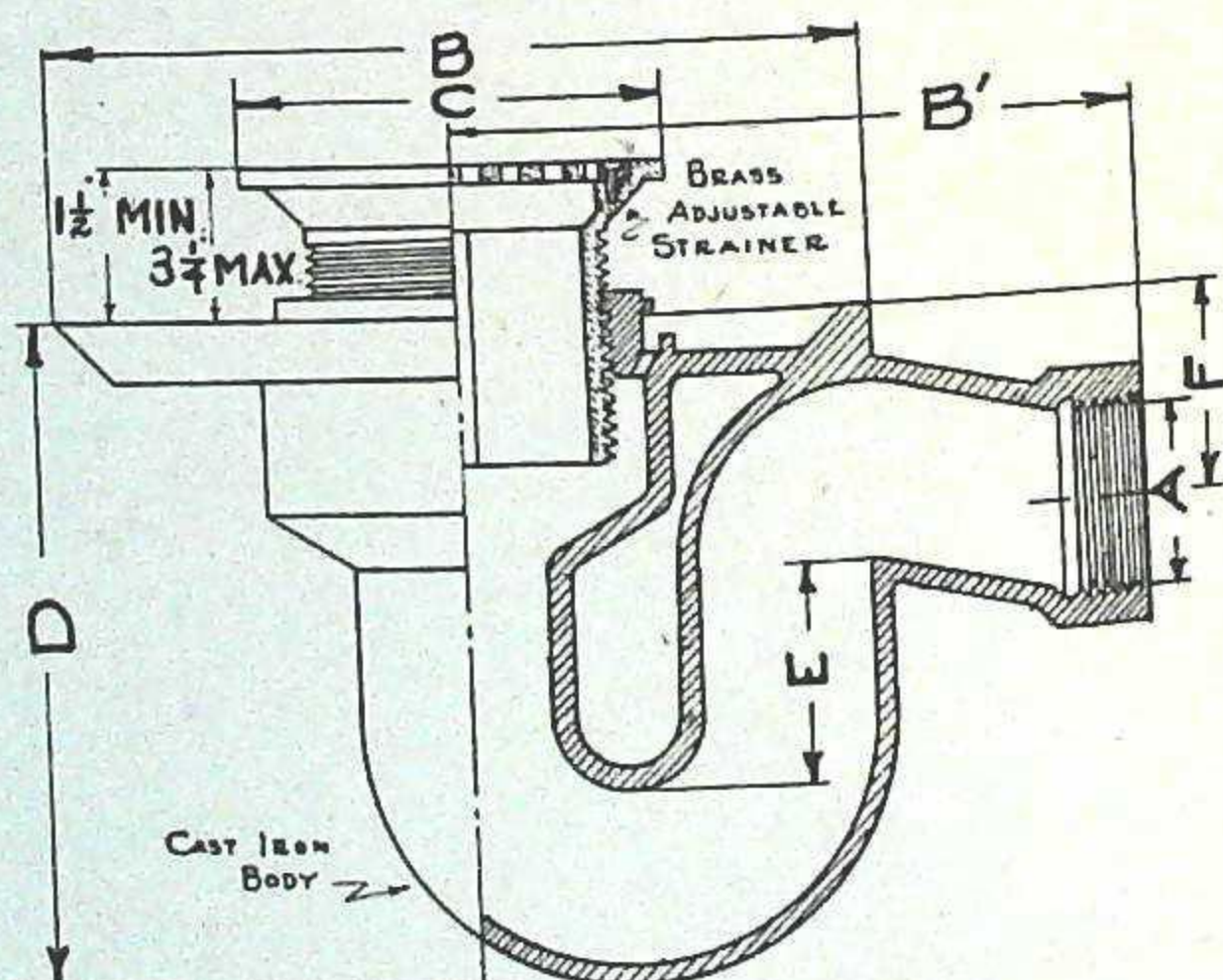
No.	Dimensions							Wt.	Cast Iron		All Brass	Add for White Metal Strainer	Add for Chrome Plated Strainer
	A	B	B ¹	*C	D	E	F		Black	Galv.			
W-1181.....	1½	9 5/8	8	4	7 3/4	2 1/2	2 1/2	23	14.10	17.00	27.50	1.75	.70
W-1182.....	2	9 5/8	8	4	7 3/4	2 1/2	2 1/2	23	14.10	17.00	27.50	1.75	.70
W-1182.....	2	9 5/8	8	5	7 3/4	2 1/2	2 1/2	23	15.30	18.20	29.00	2.35	.95
W-1183.....	3	9 5/8	9	5	9	2 1/2	2 1/2	30	20.00	27.70	38.25	2.35	.95
W-1183.....	3	9 5/8	9	6	9	2 1/2	2 1/2	30	21.80	29.50	39.50	3.25	1.15
W-1183.....	3	9 5/8	9	8	9	2 1/2	2 1/2	30	25.30	33.00	45.00	5.00	2.35
W-1183.....	3	9 5/8	9	8	9	2 1/2	2 1/2	30	1.15	1.75	2.95

Add for Clamping Lugs.....
*Strainer size furnished unless otherwise ordered. See page 9 for other styles.

FLOOR AND SHOWER DRAIN WITH SELF-CLEANING TRAP

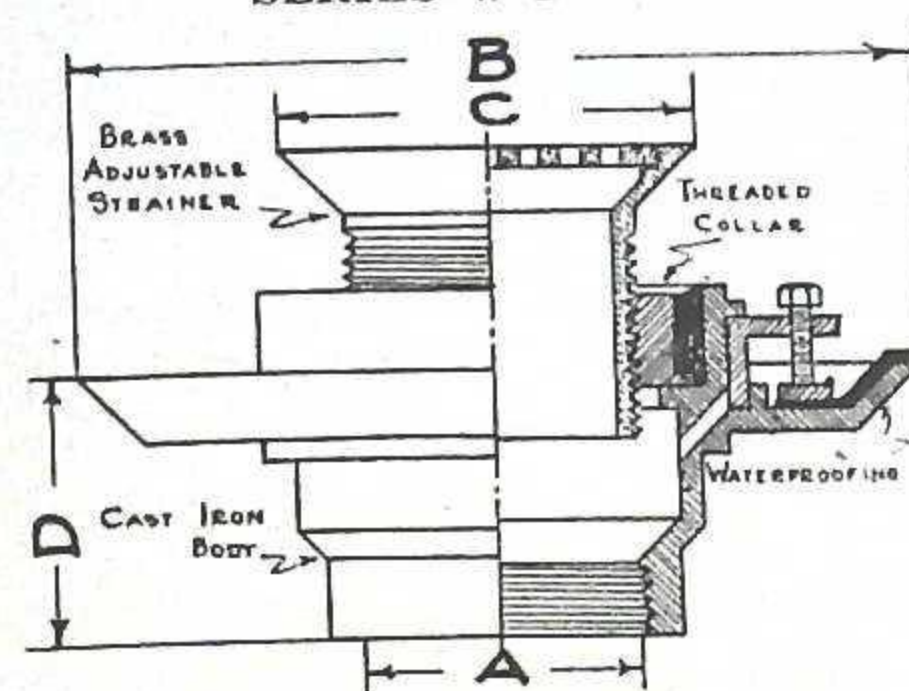
SERIES W-1180

- **RECOMMENDED USES:**
 - (1) Floor construction in shower stalls, receptors, etc. where combined drain and trap is needed.
 - (2) Concrete and tile floors in toilet rooms, etc.
- **STANDARD CONSTRUCTION:**
 - (1) Cast iron body with adjustable brass strainer; female threaded outlet.
 - (2) Strainer furnished nickel plated or polished brass; see table for variations.
- **SPECIAL CONSTRUCTION:**
 - (1) Clamping device furnished at added cost.

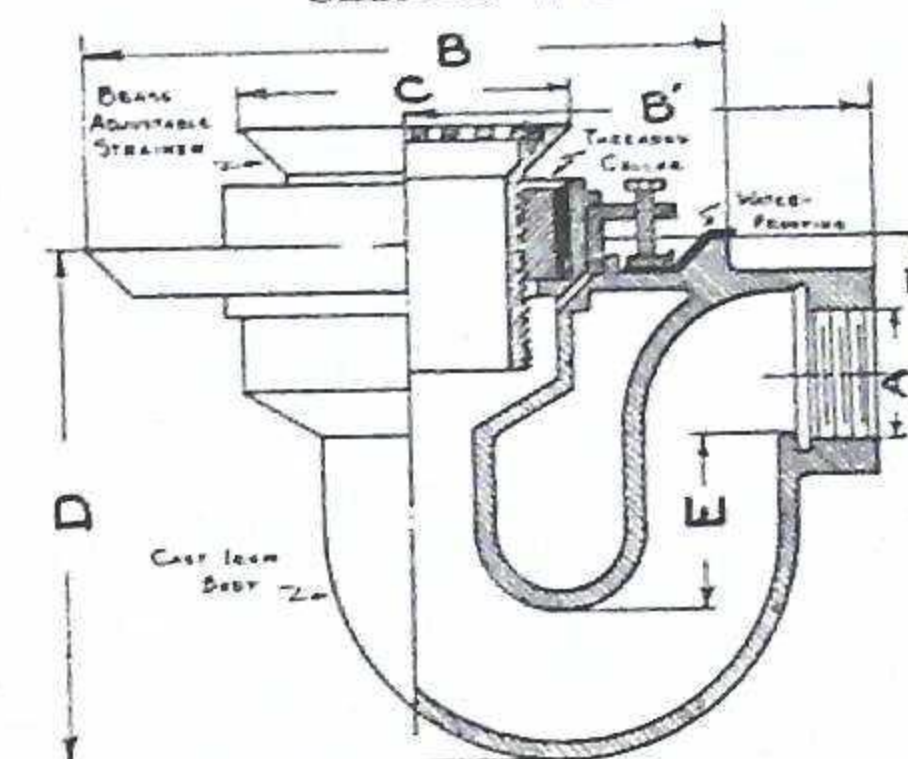


RECEPTOR DRAIN WITH SEEPAGE FLANGE AND ECCENTRIC THREADED COLLAR

SERIES W-1210



SERIES W-1220



- **RECOMMENDED USES:**
 - (1) Shower and urinal receptors and stalls where roughing-in variations must be met.
- **STANDARD CONSTRUCTION:**
 - (1) Cast iron body with recess for off-center threaded collar, permitting variations horizontally, and thus receptor outlets can be met even with slight roughing-in differences.
 - (2) Strainer furnished with polished brass or nickel-plated finish. See table for other finishes.
- **SPECIAL CONSTRUCTION:**
 - (1) Clamping device furnished at added cost.
 - (2) See page 9 for other strainer styles and sizes.
- **FEATURES:**
 - (1) Off-center collars, caulked into drain body after proper adjustment has been made, give the easiest and quickest method of making eccentric connections.

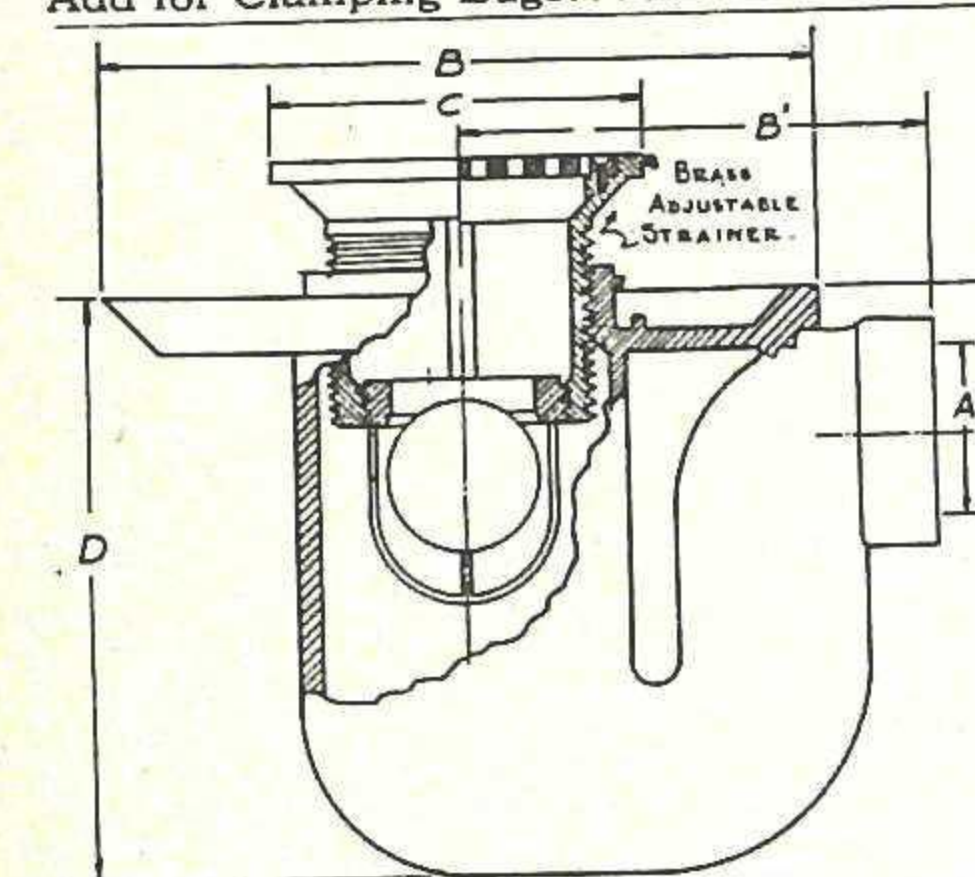
SPECIFICATIONS AND LIST PRICES

No.	Dimensions						Wt.	C. I. Body Brass Top		All Brass	Add for White Metal Strainer	Add for Chrome Plated Strainer
	A	B	C	D	E	F		Black	Galv.			
W-1212.....	2	10 3/4	5	3 1/2	17	\$11.15	\$15.00	\$20.50	\$2.35	\$0.95
W-1213.....	3	10 3/4	5	3 1/2	18	12.25	16.50	22.50	2.35	.95

SERIES W-1220

W-1222.....	2	11 3/4	5	7 1/2	2 1/2	2 1/2	25	18.20	24.80	29.80	2.35	.95
W-1223.....	3	11 3/4	5	7 1/2	2 1/2	1/2	33	21.20	28.70	39.00	2.35	.95
Add for Clamping Lugs.....	1.15	1.75	2.95

Add for Clamping Lugs.....



FLOOR DRAIN WITH ADJUSTABLE STRAINER AND REMOVABLE BACKWATER VALVE
SERIES W-1240

- **RECOMMENDED USES:**
 - (1) Floors in toilet rooms, etc., where there is a hazard from backwater from other fixtures or from the street.
- **STANDARD CONSTRUCTION:**
 - (1) Cast iron body with adjustable brass strainer; female threaded outlet.
 - (2) Copper float type valve; removable bronze seat and wire valve holder.
- **SPECIAL CONSTRUCTION:**
 - (1) Strainers furnished in many styles and finishes, and are interchangeable. See page 9 for details.
 - (2) Clamping device at added cost.
 - (3) Hub outlet when so ordered.

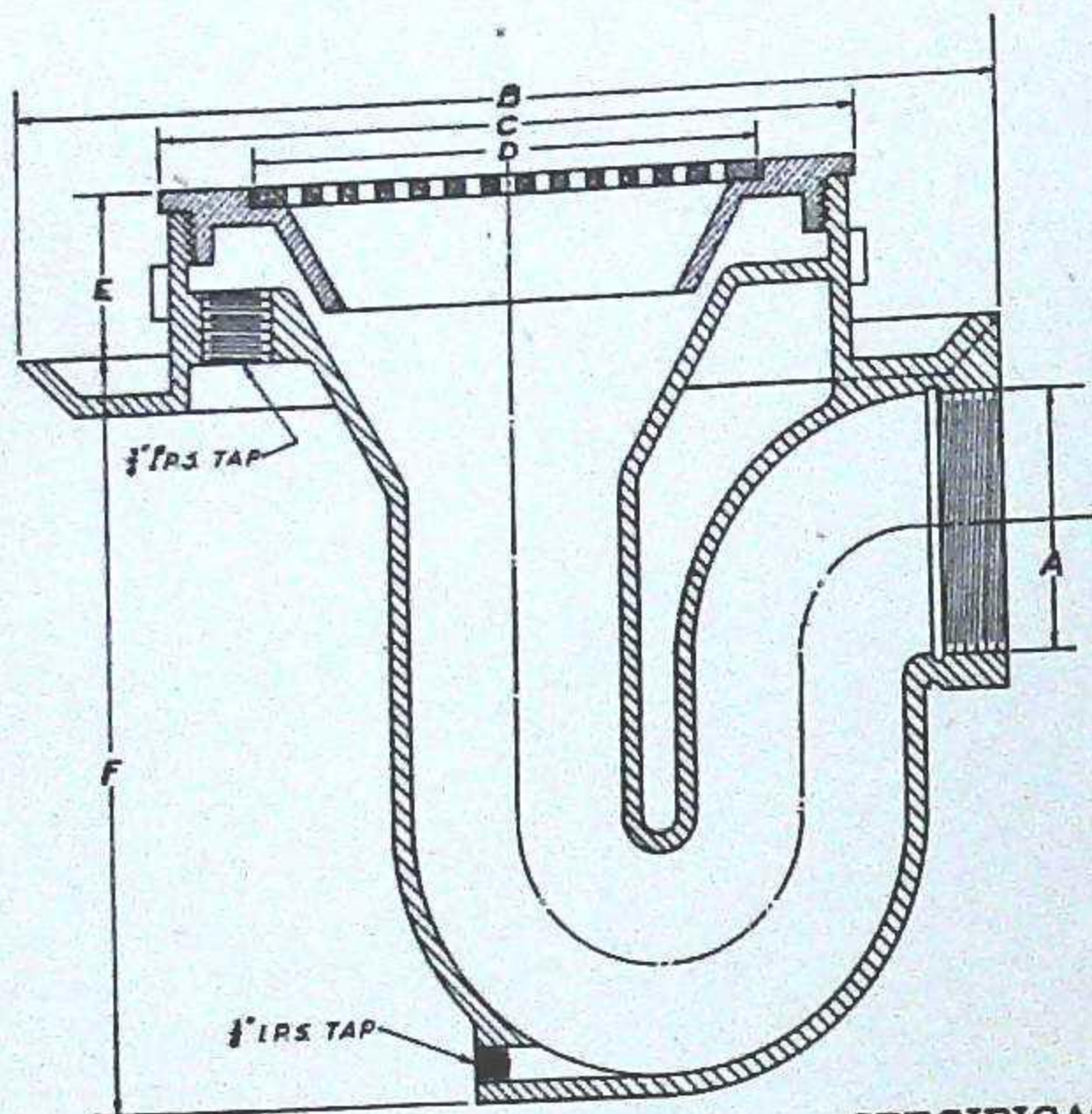
SPECIFICATIONS AND LIST PRICES

No.	Dimensions							Wt.	Cast Iron		All Brass	Add for White Metal Strainer	Add for Chrome Plated Strainer
	A	B	B ¹	*C	D	E	F		Black	Galv.			
W-1241.....	1½	9 5/8	6	5	8	2 5/8	2	28	\$20.00	\$27.70	\$38.25	\$2.35	\$0.95
W-1242.....	2	9 5/8	6	5	8	2 5/8	2	28	20.00	27.70	38.25	2.35	.95
W-1242.....	2	9 5/8	6	6	8	2 5/8	2	28	21.80	29.50	39.50	3.25	1.15
W-1243.....	3	9 5/8	6	5	10	2 5/8	2 1/2	33	24.70	34.70	41.00	2.35	.95
W-1243.....	3	9 5/8	7 1/2	6	10	2 5/8	2 1/2	33	26.50	36.50	43.00	3.25	1.15
W-1243.....	3	9 5/8	7 1/2	6	10	2 5/8	2 1/2	33	32.00	42.25	52.00	3.25	1.15
W-1244.....	4	10 5/8	8 3/4	6	11 1/2	2 5/8	3	40	35.50	45.75	55.50	5.00	2.35
W-1244.....	4	10 5/8	8 3/4	8	11 1/2	2 5/8	3	40	1.15	1.75	2.95

Add for Clamping Lugs.....

*Strainer size furnished unless otherwise ordered. See page 9 for other styles.

FLOOR DRAIN WITH SEEPAGE FLANGE, TRAP AND FLUSHING RIM
SERIES W-1260



● **RECOMMENDED USES:**

- (1) Floor construction in hospitals, laboratories, etc., where cleanliness and sanitation must be paramount.
- (2) All floor construction requiring flushing type drain with trap.

● **STANDARD CONSTRUCTION:**

- (1) Cast iron body with polished brass hinged strainer, brass flushing rim; sprayed white enamel interior.
- (2) Female threaded outlet; hub outlet when specified.

● **SPECIAL CONSTRUCTION:**

- (1) See table below for various strainer finishes.
- (2) Waterproofing clamping device at added cost when required.

SPECIFICATIONS AND LIST PRICES

No.	Dimensions						Wt.	C. I. Body Brass Top		All Brass	Add for White Metal Top	Add for Chrome Plated Top
	A	B	C	D	E	F		Black	Galv.			
W-1262.....	2	14	10	7 1/4	2	10 1/2	50	\$47.00	\$63.00	\$69.00	\$10.60	\$4.70
W-1263.....	3	14	10	7 1/4	2	10 1/2	50	47.00	63.00	69.00	10.60	4.70
SERIES W-1270												
W-1272.....	2	14	10	7 1/4	2	3	25	30.00	40.00	45.00	9.40	4.10
W-1273.....	3	14	10	7 1/4	2	3	25	30.00	40.00	45.00	9.40	4.10
W-1274.....	4	14	10	7 1/4	2	3	25	30.00	40.00	45.00	9.40	4.10
Add for Clamping Lugs.....								1.15	1.70	2.95		

FLOOR DRAIN WITH SEEPAGE FLANGE AND FLUSHING RIM WITHOUT TRAP
SERIES W-1270

● **RECOMMENDED USES:**

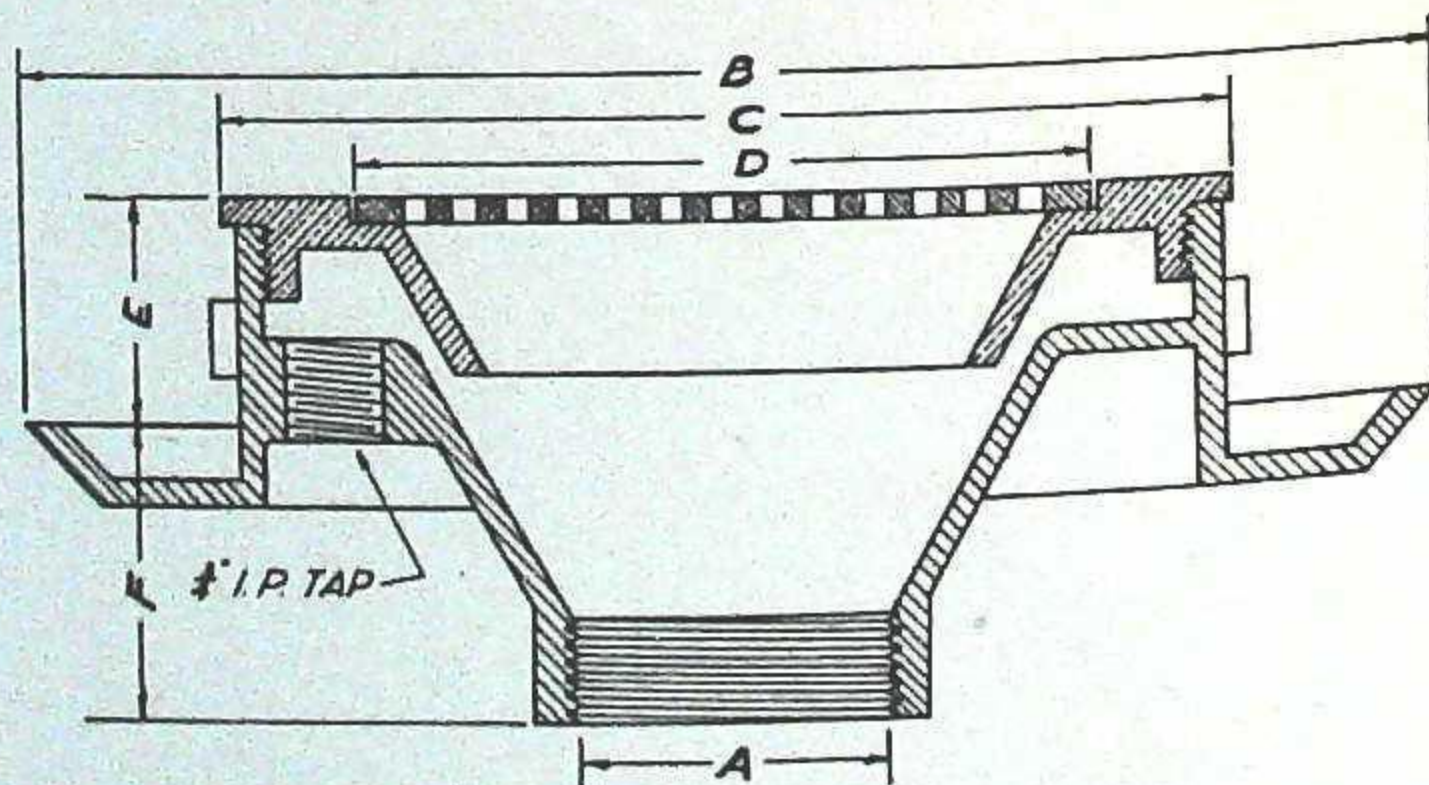
- (1) For same purposes as W-1260 above, but does not have integral trap.

● **STANDARD CONSTRUCTION:**

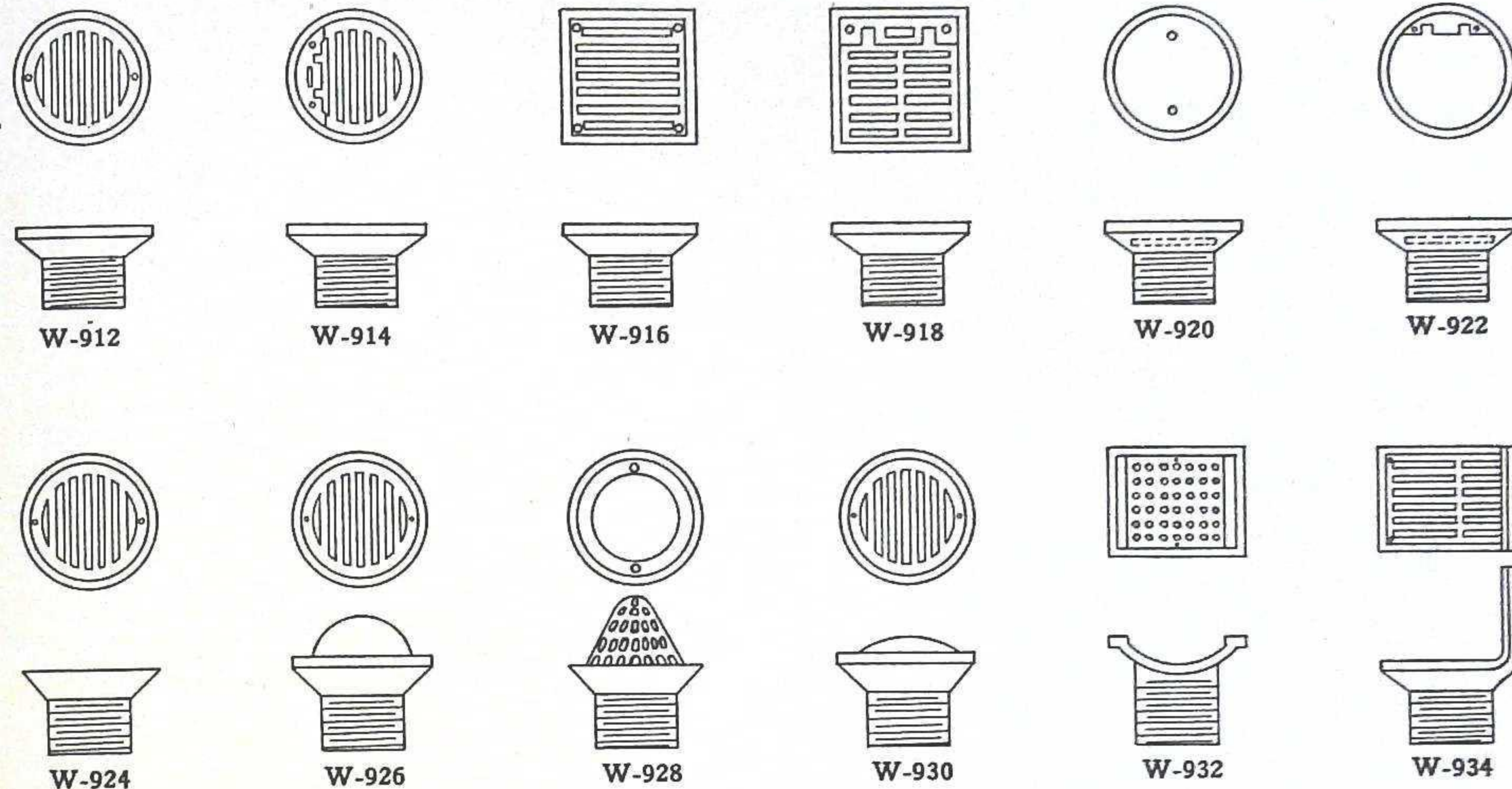
- (1) Cast iron body with polished brass hinged strainer, and brass flushing rim; sprayed white enamel interior.
- (2) Female threaded outlet; hub outlet when specified.

● **SPECIAL CONSTRUCTION:**

- (1) Refer to table above for strainer finish variations.
- (2) Clamping device at added cost.



ADJUSTABLE BRASS STRAINER HEADS FOR FLOOR DRAINS



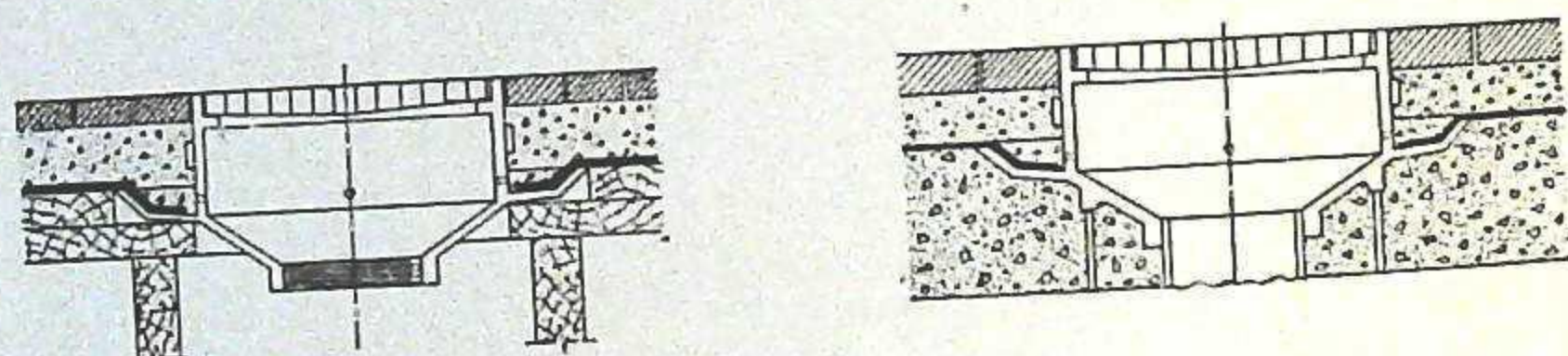
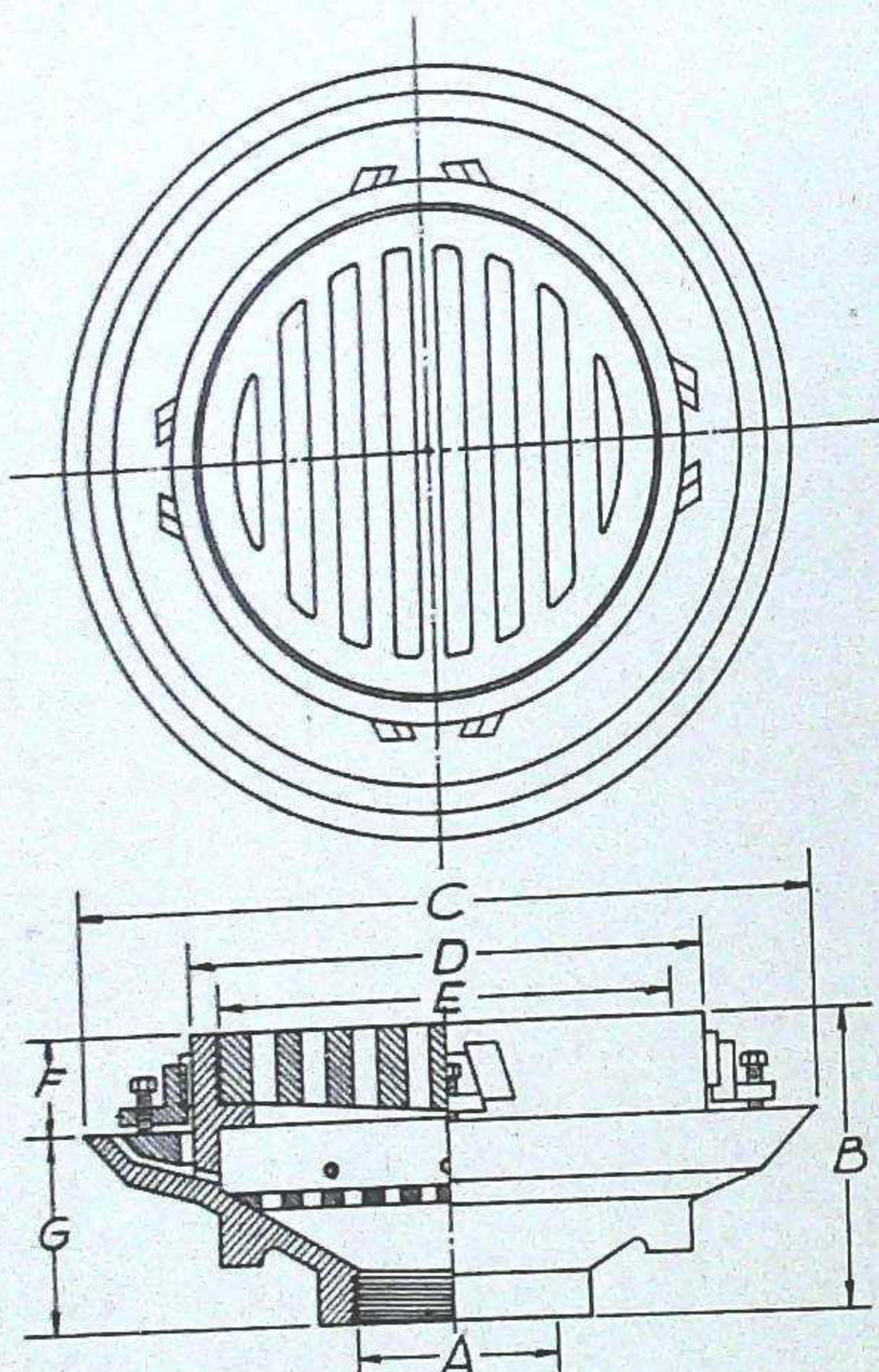
TYPES AND LIST PRICES

No.	Type of Strainer	*Length of Shank	†I.P.S. Male Th'd.	Finish	Size of Top and List Price				
					4"	5"	6"	8"	10"
W-912.....	Round, Slotted.....	2"	3" and 4"...	Pol. Brass	\$3.50	\$4.70	\$6.50	\$10.00	\$13.50
				Chr. Plate	4.25	5.65	7.65	12.40	17.00
W-914.....	Round, Hinged.....	2"	3" and 4"...	White Metal	5.30	7.10	9.60	15.00	20.00
				Pol. Brass	4.70	5.90	7.65	11.00	14.75
W-916.....	Square, Slotted.....	2"	3" and 4"...	Chr. Plate	5.10	6.80	8.75	14.70	20.50
				White Metal	6.65	8.80	11.50	18.75	25.50
W-918.....	Square, Hinged.....	2"	3" and 4"...	Pol. Brass	6.20	7.65	9.40	14.25	18.75
				Chr. Plate	6.90	8.60	10.50	16.60	22.00
W-920.....	Plug with Strainer.....	2"	3" and 4"...	White Metal	9.25	11.50	14.10	21.50	28.00
				Pol. Brass	5.30	7.10	9.60	15.00	20.00
W-922.....	Solid, Hinge and Strainer.....	2"	3" and 4"...	Chr. Plate	6.00	8.00	10.90	17.40	24.00
				White Metal	7.95	9.40	14.60	22.50	30.50
W-924.....	Round, Featheredge.....	2"	3" and 4"...	Pol. Brass	6.50	8.25	10.90	16.20	21.50
				Chr. Plate	7.15	9.15	12.10	18.50	25.00
W-926.....	Dome Top.....	2"	3" and 4"...	White Metal	9.75	12.40	16.30	24.00	32.00
				Pol. Brass	3.50	4.70	6.50	10.00	13.50
W-928.....	Beehive Top.....	2"	3" and 4"...	Chr. Plate	4.25	5.65	7.65	12.40	17.00
				White Metal	5.30	7.10	9.60	15.00	20.00
W-930.....	Convex Top.....	2"	3" and 4"...	Pol. Brass	4.70	6.30	8.65	13.30	18.00
				Chr. Plate	5.40	7.25	9.75	15.70	21.50
W-932.....	Square Gutter.....	2"	3" and 4"...	White Metal	7.10	9.40	12.80	20.00	27.00
				Pol. Brass	4.70	6.30	8.65	13.30	18.00
W-934.....	Angle Overflow.....	2"	3" and 4"...	Chr. Plate	5.40	7.25	9.75	15.70	21.50
				White Metal	7.10	9.40	12.80	20.00	27.00
W-928.....	Beehive Top.....	2"	3" and 4"...	Pol. Brass	4.70	6.30	8.65	13.30	18.00
				Chr. Plate	5.40	7.25	9.75	15.70	21.50
W-930.....	Convex Top.....	2"	3" and 4"...	White Metal	7.10	9.40	12.80	20.00	27.00
				Pol. Brass	3.90	5.15	7.10	11.00	14.90
W-932.....	Square Gutter.....	2"	3" and 4"...	Chr. Plate	4.60	6.10	8.25	13.30	19.20
				White Metal	5.80	7.75	10.50	16.50	22.00
W-934.....	Angle Overflow.....	2"	3" and 4"...	Pol. Brass	10.00	20.00		12.00	16.20
				Chr. Plate	11.75	23.50		13.80	19.10
W-934.....	Angle Overflow.....	2"	3" and 4"...	White Metal	15.00	29.40		18.00	24.20

*Longer Strainer Shanks furnished at \$1.00 per inch list extra for each inch required.
†All Adjustable Floor Drains with 1 1/2", 2", and 3" outlets are threaded for 3" I.P.S. Male Thread Strainers.
All Adjustable Floor Drains with 4" outlets are threaded for 4" I.P.S. Male Thread Strainers.

**FLOOR DRAIN WITH SEEPAGE FLANGE
AND SECONDARY STRAINER**
SERIES W-1400

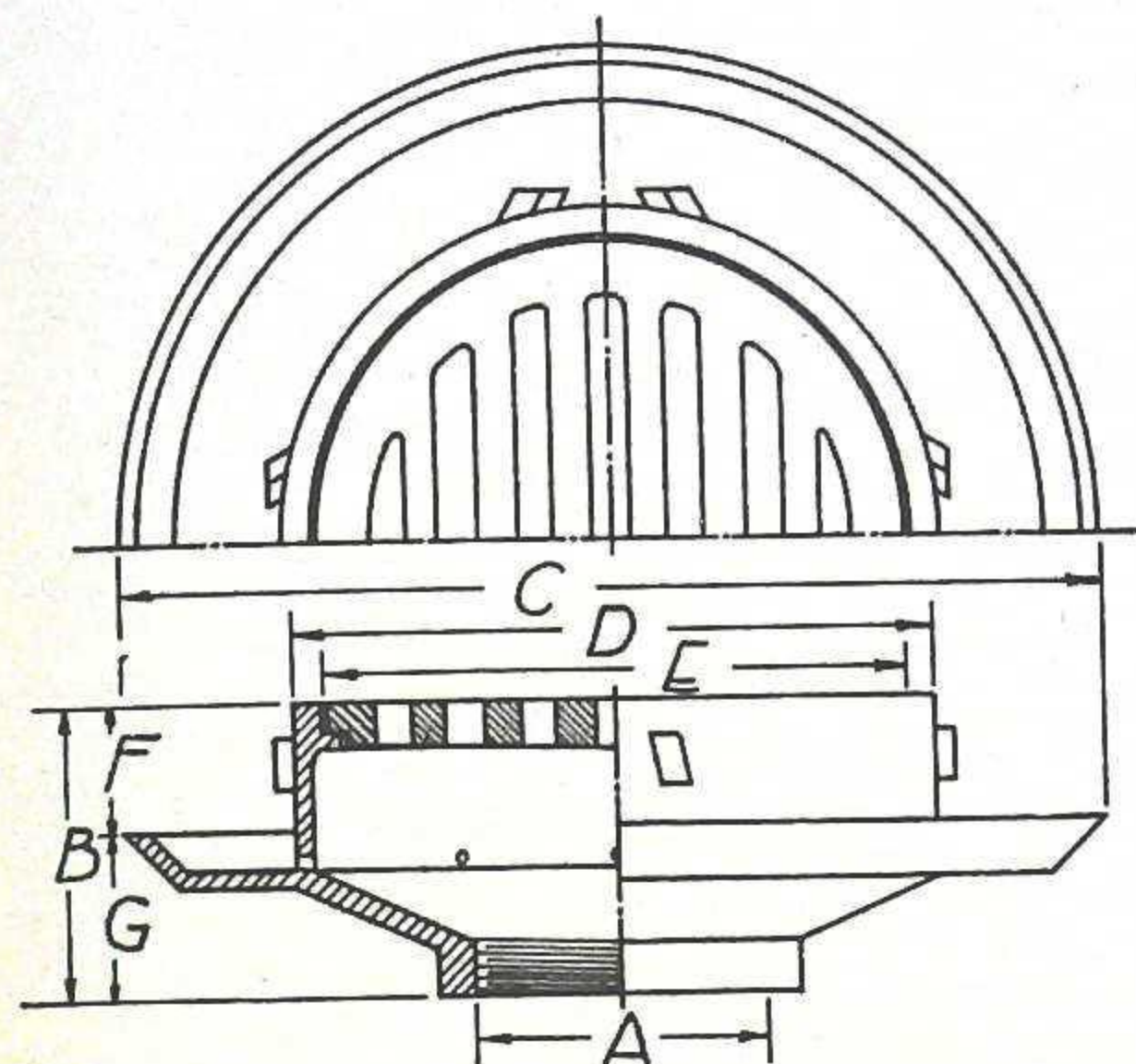
- **RECOMMENDED USES:**
 - (1) All types of floor construction in packing houses, breweries, dairies, garages, etc.
 - (2) All industrial buildings with large floor areas.
- **STANDARD CONSTRUCTION:**
 - (1) Heavy cast iron body and grate with secondary strainer.
 - (2) Female threaded outlet; hub outlet optional.
- **SPECIAL CONSTRUCTION:**
 - (1) Flashing clamping device when specified.
 - (2) Square top flange when required.
 - (3) Ball type backwater valve when specified.
 - (4) See table for other variations.
- **FEATURES:**
 - (1) Heavier construction of body and grate.
 - (2) Leveling bosses on all drains, facilitating setting.



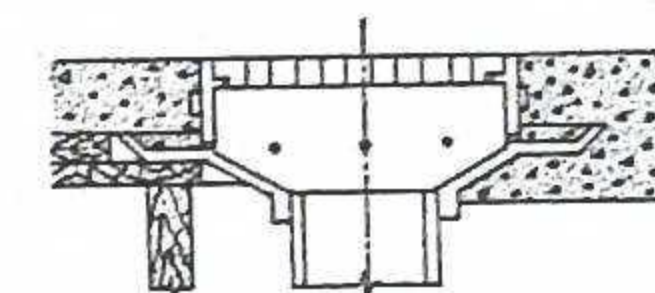
SPECIFICATIONS AND LIST PRICES

No.	Dimensions							Wt.	Cast Iron		With Brass Top		All Brass	White Metal Top	Chrome Plated Top
	A	B	C	D	E	F	G		Black	Galv.	Black	Galv.			
W-1402	2	6	17 1/4	11 1/2	10	2 1/2	4	50	\$17.00	\$25.50	\$30.00	\$38.50	\$60.00	\$40.50	\$38.50
W-1403	3	6	17 1/4	11 1/2	10	2 1/2	4	50	17.00	25.50	30.00	38.50	60.00	40.50	38.50
W-1404	4	6	17 1/4	11 1/2	10	2 1/2	4	50	17.00	25.50	30.00	38.50	60.00	40.50	38.50
With Square Top and Round Grate									18.00	27.00	31.00	40.00	63.00	41.50	39.50
Add for Clamping Lugs									2.35	3.50	2.35	3.50	7.00		
Deduct for Secondary Strainer									1.75	2.35	1.75	2.35	6.00		
Grate Only									3.50	5.25	9.50	9.50	9.50		
Locking Type Grate									4.70	6.50	10.75	10.75	10.75		
W-1414	4	6	21	15 1/2	14	2 1/2	4	80	27.00	40.00	50.00	63.00	85.00	66.00	57.00
W-1415	5	6	21	15 1/2	14	2 1/2	4	80	28.00	41.00	51.00	64.00	86.00	67.00	58.00
W-1416	6	6	21	15 1/2	14	2 1/2	4	80	29.00	42.00	52.00	65.00	87.00	68.00	59.00
W-1418	8	6	21	15 1/2	14	2 1/2	4 1/2	90	32.00	45.00	55.00	68.00	89.00	71.00	62.00
With Square Top and Round Grate									28.50	43.00	49.50	54.00	82.00	65.50	55.50
Add for Clamping Device									3.00	3.50	3.00	3.50	8.00		
Deduct for Secondary Strainer									3.00	3.50	3.00	3.50	9.00		
Grate Only									5.30	7.50	15.30	15.30	15.30		
Locking Type Grate									6.50	8.50	15.50	15.50	15.50		

**FLOOR DRAIN WITH SEEPAGE FLANGE
FOR SHALLOW CONSTRUCTION**
SERIES W-1430



- **RECOMMENDED USES:**
 - (1) Shallow floors of wood or concrete construction in all industrial buildings.
 - (2) Main outlet swimming pool drain; see page 26.
- **STANDARD CONSTRUCTION:**
 - (1) Cast iron body with heavy cast iron grate.
 - (2) Female threaded outlet; hub outlet optional.
- **SPECIAL CONSTRUCTION:**
 - (1) Flashing clamping device when specified at added cost.
 - (2) Float type backwater valve when required; see page 12 for details.
 - (3) Square top flange when required.

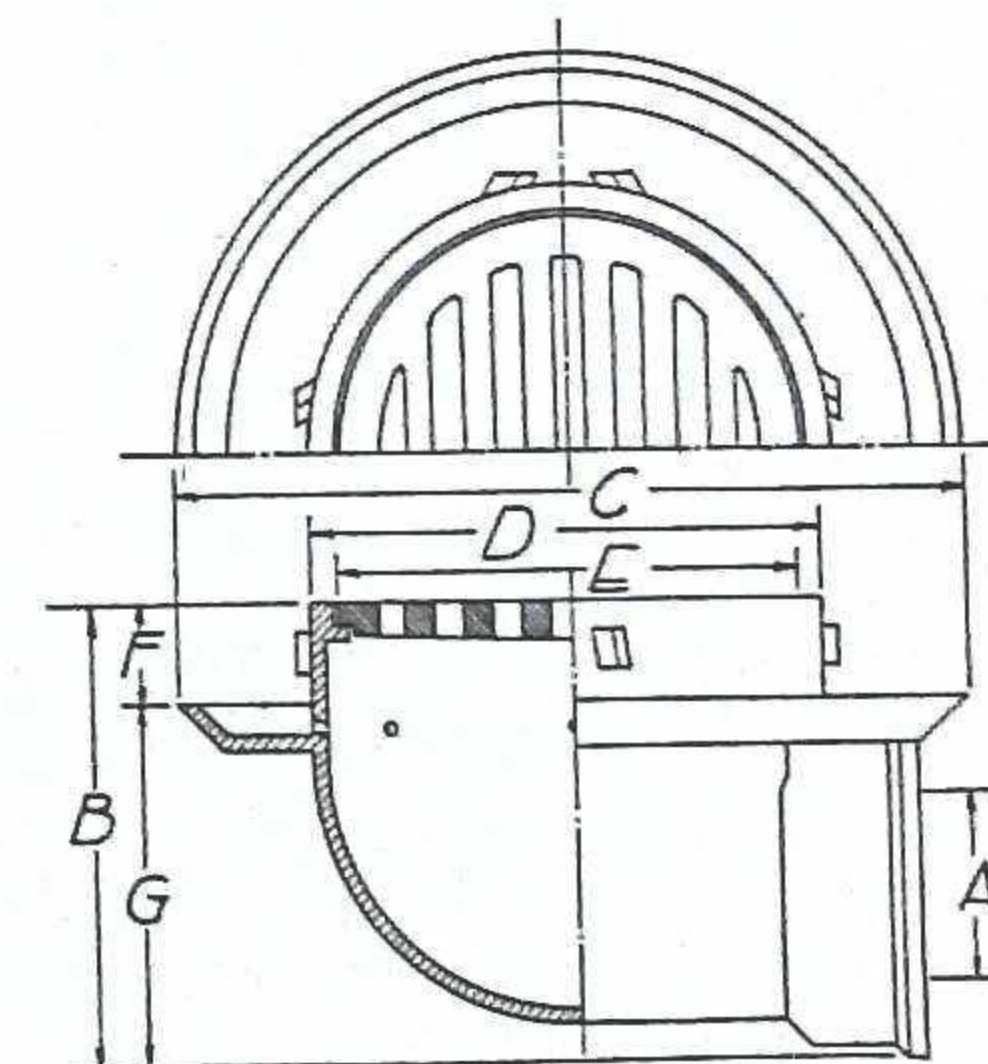
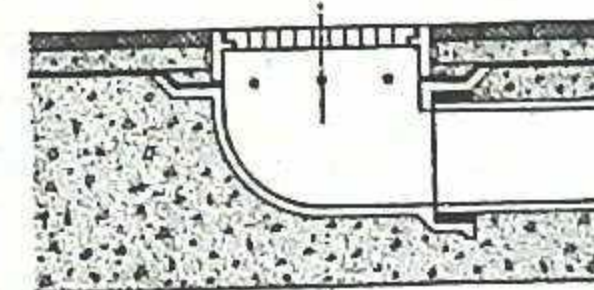


SPECIFICATIONS AND LIST OF PRICES

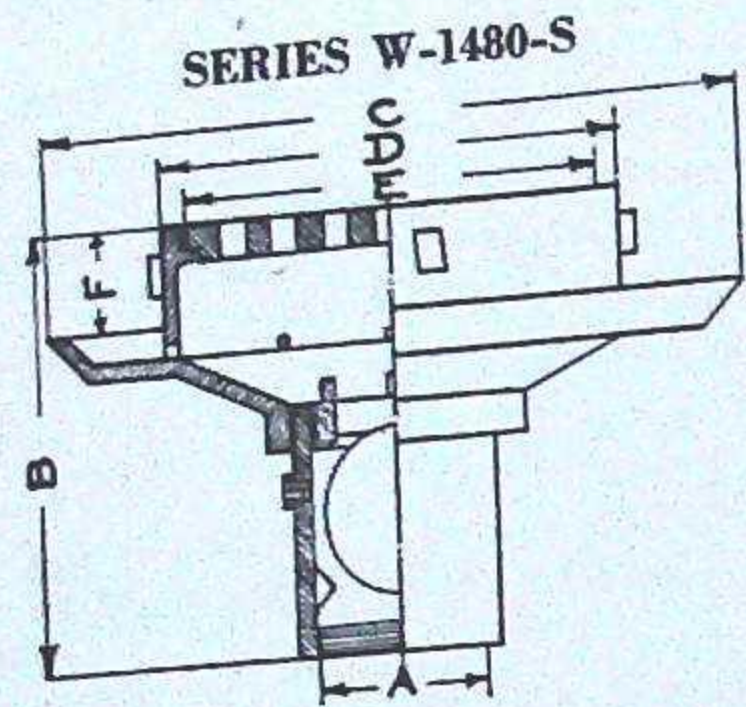
No.	Dimensions							Wt.	Cast Iron		With Brass Top		All Brass	Add for	
	A	B	C	D	E	F	G		Black	Galv.	Black	Galv.		Metal White Top	Plated Chrome Top
W-1432	2	4 1/4	13 5/8	9 3/8	8 1/2	2	2 1/4	30	\$8.20	\$12.30	\$15.85	\$20.00	\$22.50	\$7.10	\$2.35
W-1433	3	4 1/4	13 5/8	9 3/8	8 1/2	2	2 1/4	30	8.20	12.30	15.85	20.00	22.50	7.10	2.35
W-1434	4	4 1/4	13 5/8	9 3/8	8 1/2	2	2 1/4	30	8.20	12.30	15.85	20.00	22.50	7.10	2.35
With Square Top and Round Grate									8.65	13.00	16.30	20.60	23.50	7.40	2.45
Add for Clamping Lugs									1.75	2.60	1.75	2.60	6.00		
Grate									2.00	3.00	4.70	4.70			
W-1443	3	5	16 5/8	12 3/8	11 1/2	2	3	45	15.30	23.00	28.30	36.00	57.00	10.30	4.70
W-1444	4	5	16 5/8	12 3/8	11 1/2	2	3	45	15.30	23.00	28.30	36.00	57.00	10.30	4.70
W-1445	5	5	16 5/8	12 3/8	11 1/2	2	3	45	15.30	23.00	28.30	36.00	57.00	10.30	4.70
W-1446	6	5	16 5/8	12 3/8	11 1/2	2	3	45	15.30	23.00	28.30	36.00	57.00	10.30	4.70
With Square Top and Round Grate									16.00	24.00	29.00	37.00	57.00	11.15	4.95
Add for Clamping Lugs									2.35	3.00	2.35	3.00	7.00		
Grate									3.00	4.50	9.40	9.40	9.40		
SERIES W-1460															
W-1462	2	7 1/4	13 5/8	9 3/8	8 1/2	2	5 1/4	35	11.75	17.60	19.40	25.25	40.00	7.10	2.35
W-1463	3	7 1/4	13 5/8	9 3/8	8 1/2	2	5 1/4	35	11.75	17.60	19.40	25.25	40.00	7.10	2.35
W-1464	4	8 1/4	13 5/8	9 3/8	8 1/2	2	6 1/4	35	14.00	21.00	21.65	28.65	44.00	7.10	2.35
W-1474	4	9 1/4	16 5/8	12 3/8	11 1/2	2	7 1/4	55	26.00	39.00	38.90	51.90	65.00	10.30	4.70
W-1475	5	10 1/4	16 5/8	12 3/8	11 1/2	2	8 1/4	55	26.00	39.00	38.90	51.90	65.00	10.30	4.70
W-1476	6	10 1/4	16 5/8	12 3/8	11 1/2	2	8 1/4	55	26.00	39.00	38.90	51.90	65.00	10.30	4.70

**FLOOR DRAIN WITH SEEPAGE FLANGE
AND SIDE OUTLET**
SERIES W-1460

- **RECOMMENDED USES:**
 - (1) Shallow floor construction in industrial buildings requiring a side outlet drain.
- **STANDARD CONSTRUCTION:**
 - (1) Cast iron body and grate.
 - (2) Hub outlet; threaded outlet optional.
- **SPECIAL CONSTRUCTION:**
 - (1) Flashing clamping device when specified.
 - (2) Square top flange when required.



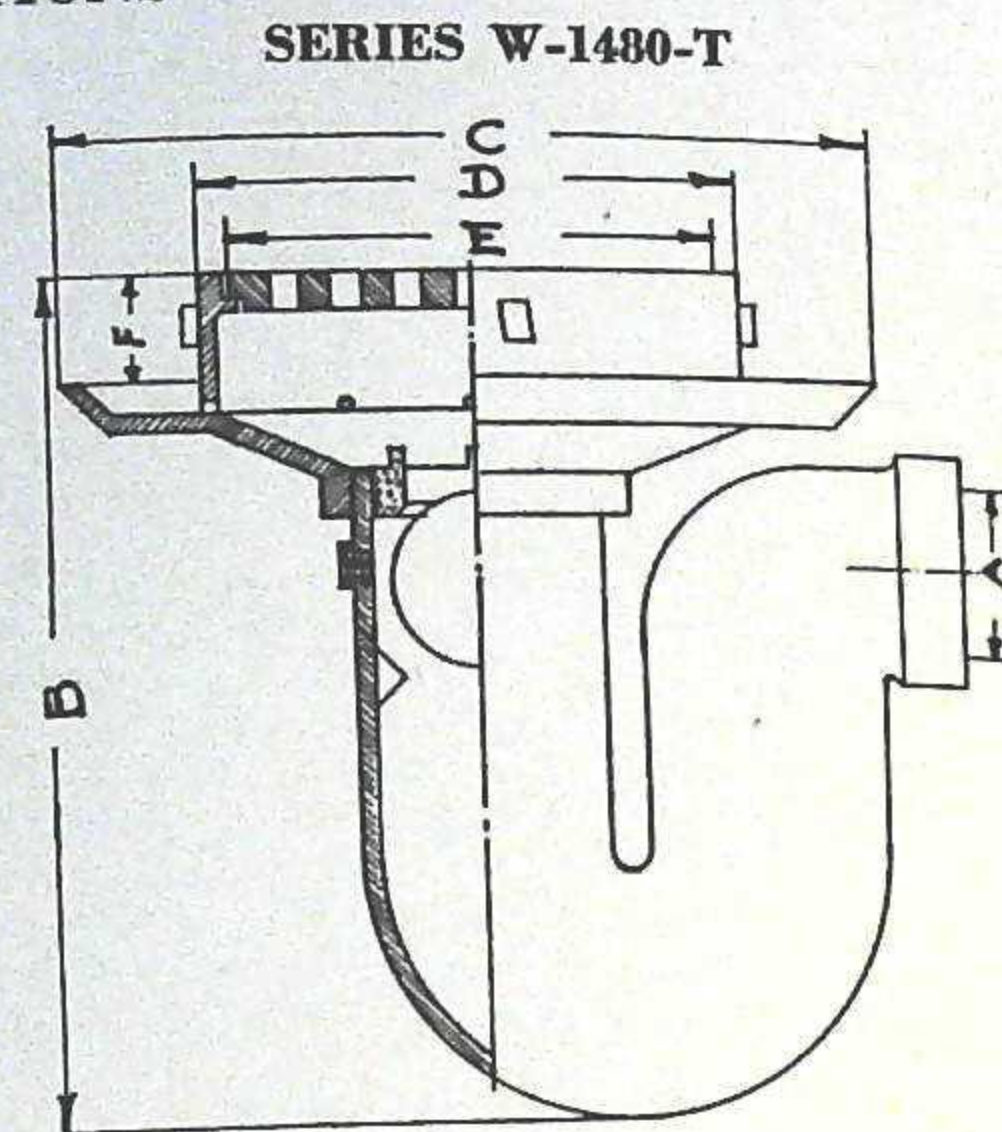
**FLOOR DRAINS WITH SEEPAGE FLANGE
AND BACKWATER VALVE
FOR WAR DEPARTMENT SPECIFICATIONS**



"Floor drains shall be heavy cast iron double drainage pattern with weepholes, galvanized grate and 3" bottom outlet. Floor drains shall be installed in basement floors where directed by the Quartermaster General. Deep seal traps shall be installed in connection with floor drains, and trap of drain shall be tapped above the water seal for 1/2" pipe connection from drain primer. All floor drains shall be installed complete with efficient backwater valve."

● **STANDARD CONSTRUCTION:**

- (1) Cast iron body with galvanized cast iron grate.
- (2) Copper ball type backwater valve with bronze removable seat.
- (3) Female threaded outlet; hub outlet optional.
- (4) Series W-1480-S furnished with deep seal trap.
- (5) Series W-1480-T is identical except furnished with deep seal trap.

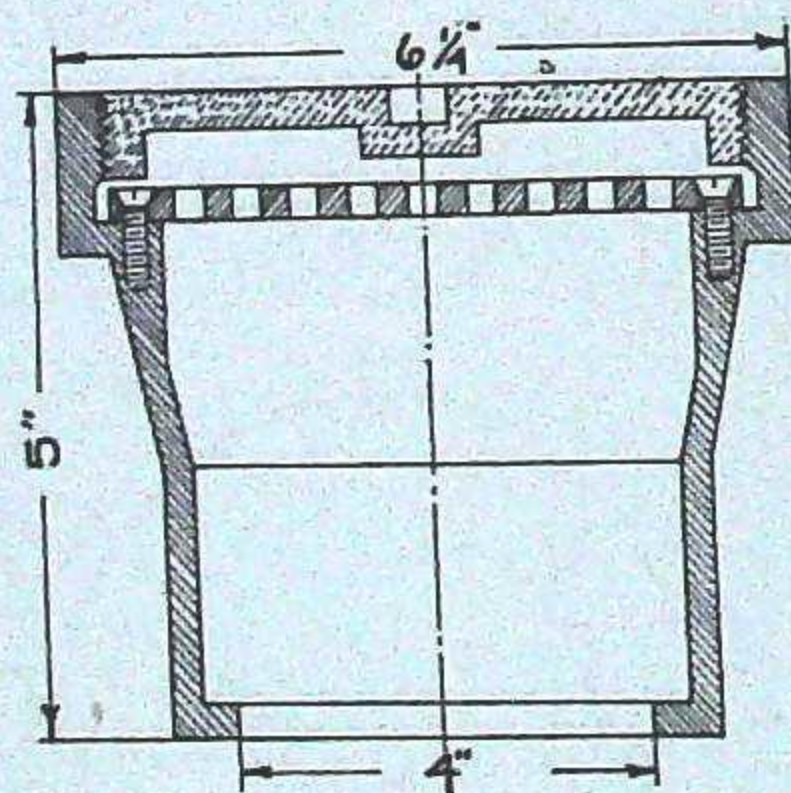


SPECIFICATIONS AND LIST PRICES

No.	Dimensions						Wt.	Cast Iron		With Brass Top		All Brass	Add for	
	A	B	C	D	E	F		Black	Galv.	Black	Galv.		White Metal Top	Chrome Plated Top
W-1482-S...	2	9 1/4	13 5/8	9 3/8	8 1/2	2	38	\$13.00	\$19.50	\$20.65	\$27.15	\$33.00	\$7.10	\$2.35
W-1483-S...	3	9 1/4	13 5/8	9 3/8	8 1/2	2	38	14.10	21.20	21.75	28.80	36.00	7.10	2.35
W-1484-S...	4	9 1/4	13 5/8	9 3/8	8 1/2	2	38	15.30	23.00	23.00	30.65	39.00	7.10	2.35
W-1482-T...	2	13	13 5/8	9 3/8	8 1/2	2	46	17.00	25.50	24.65	33.15	45.50	7.10	2.35
W-1483-T...	3	14 1/2	13 5/8	9 3/8	8 1/2	2	56	21.20	32.00	28.90	39.65	52.00	7.10	2.35
W-1484-T...	4	16 1/4	13 5/8	9 3/8	8 1/2	2	65	27.00	40.50	34.65	48.15	65.00	7.10	2.35
Add for Clamping Lugs								1.75	2.60	1.75	2.60	6.00		

For other variations, see Table, Page 11.

LIGHT WEIGHT BASEMENT FLOOR DRAINS



SERIES W-1491

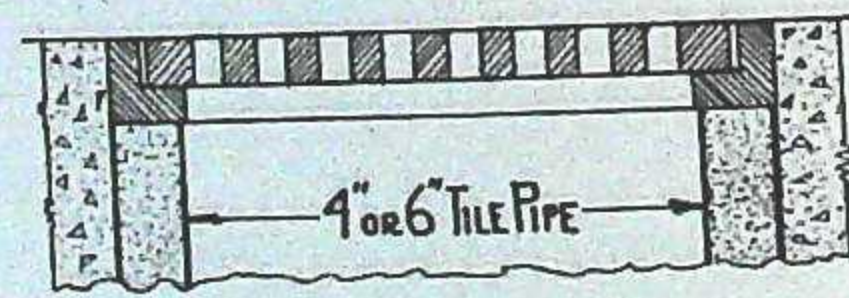
● **ADAPTED FOR:**

- (1) Basements, laundries, etc., subject to backwater. Plug removable when floor is to be washed.

● **STANDARD CONSTRUCTION:**

- (1) Cast iron body with heavy brass plug, countersunk type.
 - (2) Bolted secondary strainer.
 - (3) Hub outlet for 4" pipe.
- List price.....\$6.50

FOR RESIDENTIAL AND FACTORY USE



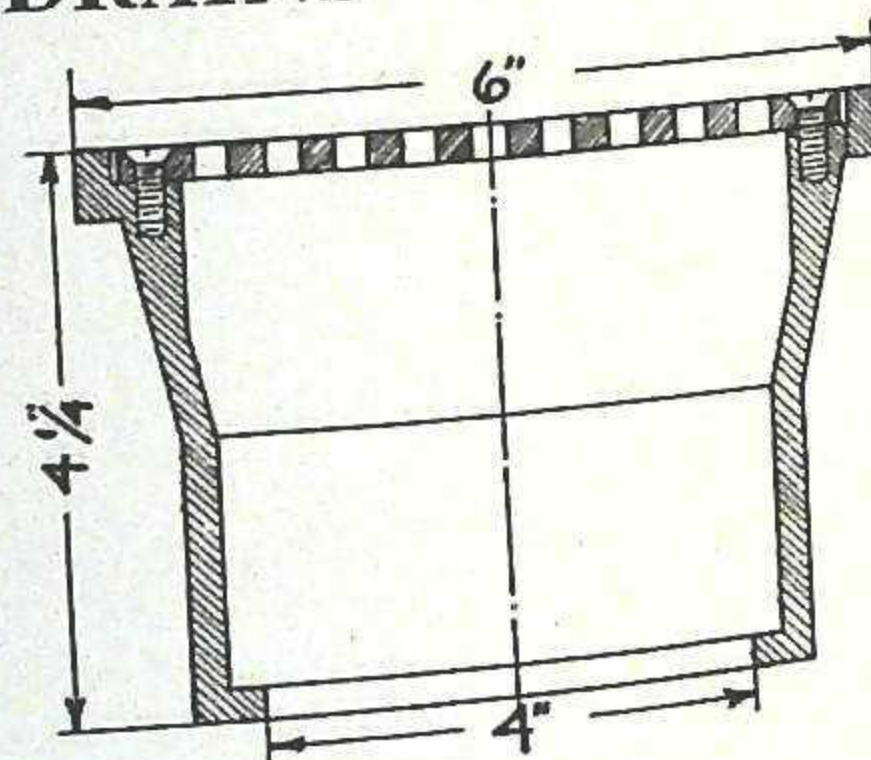
SERIES W-1492

● **ADAPTED FOR:**

- (1) Any floor where least expensive type of drain is required.

● **STANDARD CONSTRUCTION:**

- (1) Cast iron frame and grate.
 - (2) Prevents breaking of concrete, and eliminates loose grate.
 - (3) For 4" and 6" pipe only.
- List price.....\$1.75



SERIES W-1493

● **ADAPTED FOR:**

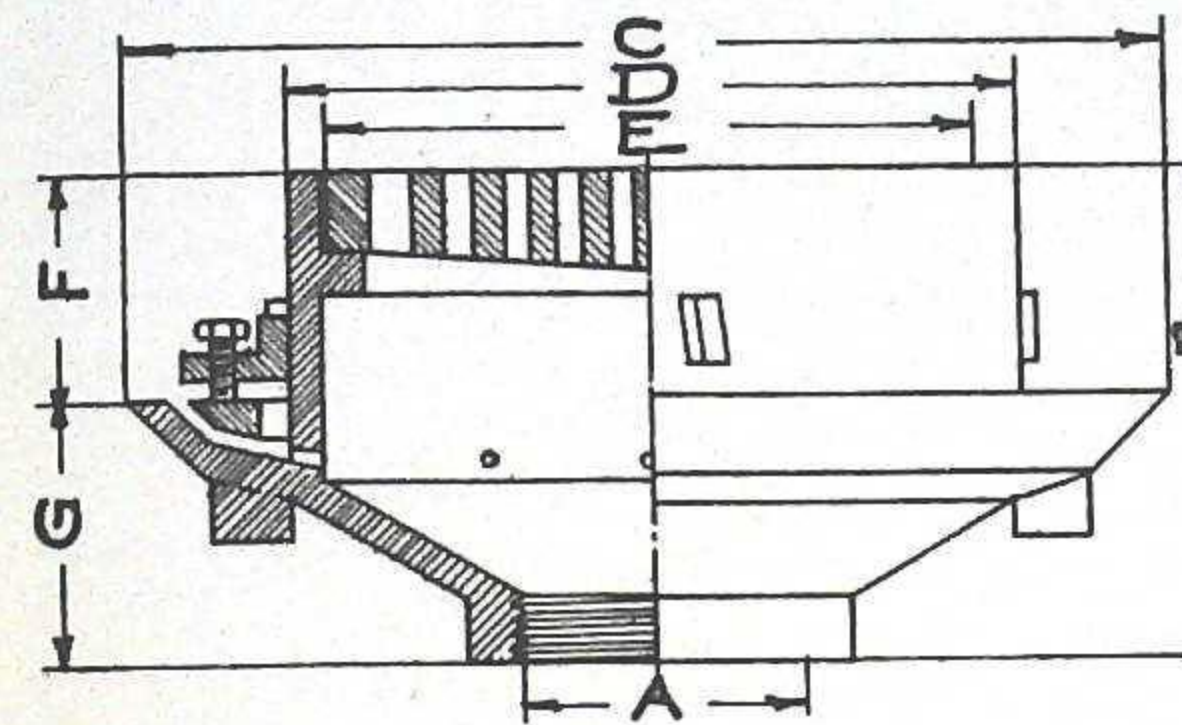
- (1) Floors where small drain with bolted strainer is needed.

● **STANDARD CONSTRUCTION:**

- (1) Cast iron body and grate with brass screws.
 - (2) Hub outlet for 4" pipe.
- List price.....\$3.25

HEAVY DUTY FLOOR DRAIN WITH SEEPAGE FLANGE

SERIES W-1500



● **RECOMMENDED USES:**

- (1) All types of floor construction in industrial buildings and especially for packing house use.
- (2) Large floor areas subjected to heaviest service and loads.

● **STANDARD CONSTRUCTION:**

- (1) Heaviest cast iron construction throughout.
- (2) Bosses on drain tapped for leveling bolts.
- (3) Female threaded outlet; hub outlet optional.

● **SPECIAL CONSTRUCTION:**

- (1) Flashing clamping device when required.
- (2) Special locking type grate when required.
- (3) Height of drain above seepage flange is variable from 3" to 10" to meet every possible floor construction condition.

SPECIFICATIONS AND LIST PRICES

No.	Dimensions							Wt.	Cast Iron		With Brass Top	
	A	B	C	D	E	F*	G		Black	Galv.	Black	Galv.
W-1502	2	Varies	17 1/4	11 1/2	10	3" Min.	4	70	\$22.00	\$33.00	\$37.50	\$48.50
W-1503	3	Varies	17 1/4	11 1/2	10	10" Max.	4	70	22.00	33.00	37.50	48.50
W-1504	4	Varies	17 1/4	11 1/2	10		4	70				
Add for Clamping Lugs									3.00	4.50	3.00	4.50
Add for Leveling Bolts									1.75	1.75	1.75	1.75
Add for Locking Grate									1.75	2.60	1.75	2.60
Grate									4.70	7.00	10.75	10.75
W-1514	4	Varies	21	15 1/2	14		4	100	33.00	49.00	53.00	69.00
W-1515	5	Varies	21	15 1/2	14	3" Min.	4	102	34.00	50.00	54.00	70.00
W-1516	6	Varies	21	15 1/2	14	10" Max.	4	104	35.00	51.00	55.00	71.00
W-1518	8	Varies	21	15 1/2	14		4 1/2	106	38.00	54.00	58.00	74.00
W-1519	10	Varies	21	15 1/2	14		4 1/2	108	40.00	56.00	60.00	76.00
Add for Clamping Lugs									3.50	5.00	3.50	5.00
Add for Leveling Bolts									1.75	1.75	1.75	1.75
Add for Locking Grate									1.75	2.60	1.70	2.60
Grate									6.50	9.75	16.50	16.50

*List price is for 3" height only. Additional heights extra.

SERIES W-1540

W-1542	2	6		9 1/4	8 1/2			35	10.50	15.75	18.00	28.50
W-1543	3	6		9 1/4	8 1/2			35	10.50	15.75	18.00	28.50
W-1544	4	6		9 1/4	8 1/2			35	10.50	15.75	18.00	28.50
W-1544-L	4	6		13 1/4	11 1/2			45	14.00	21.00	28.00	33.00
W-1545	5	6		13 1/4	11 1/2			45	14.00	21.00	28.00	33.00
W-1546	6	6		13 1/4	11 1/2			45	14.00	21.00	28.00	33.00
W-1548	8	6		13 1/4	11 1/2			45	14.00	21.00	28.00	33.00

FLOOR DRAIN LESS SEEPAGE FLANGE

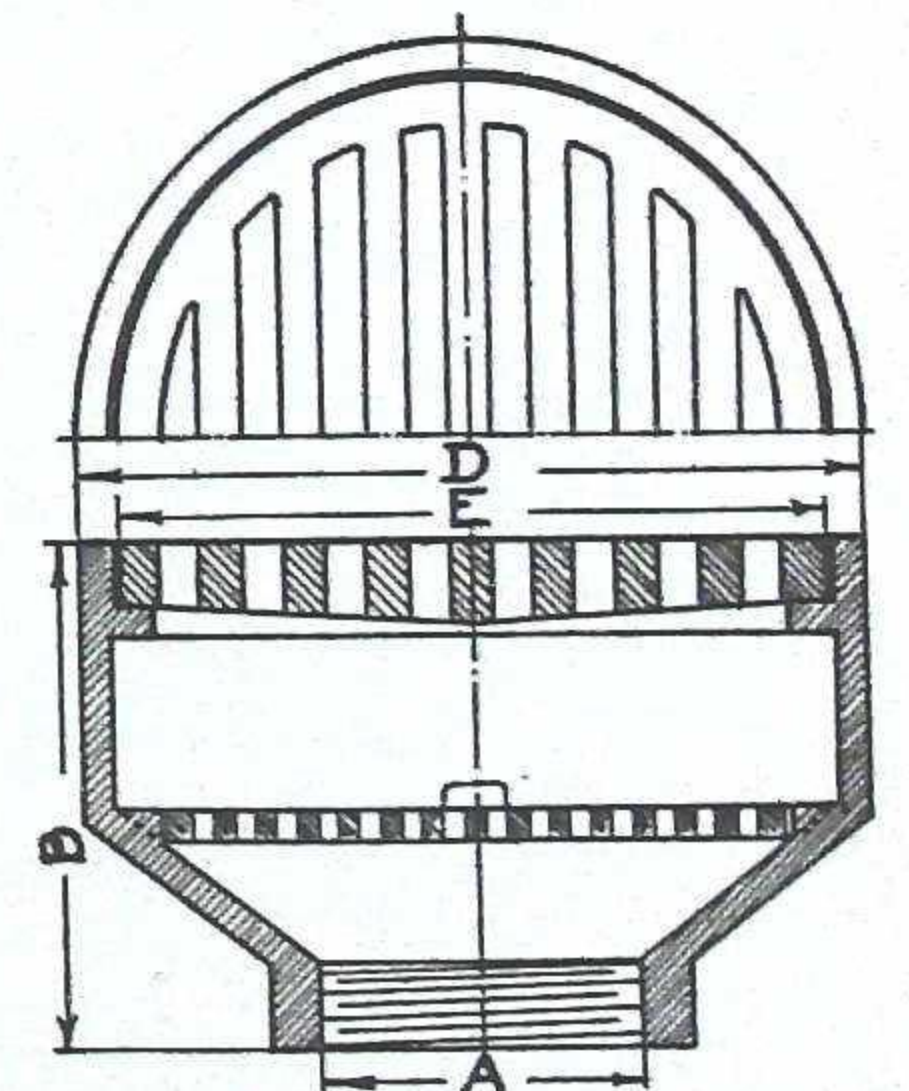
SERIES W-1540

● **RECOMMENDED USES:**

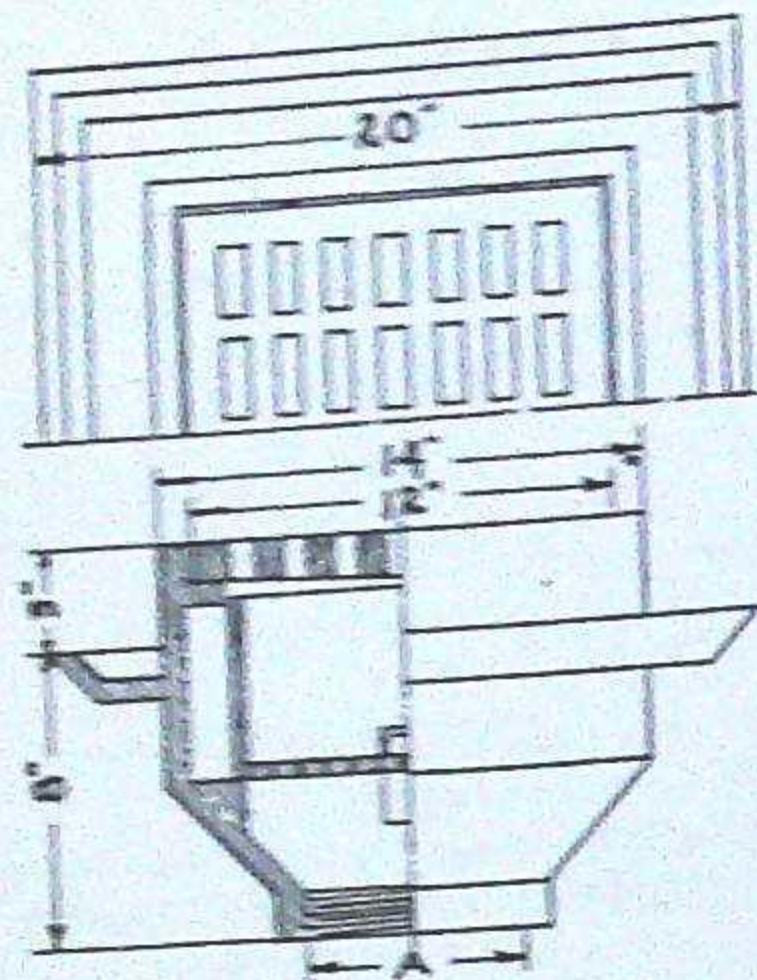
- (1) Floors in basements in industrial buildings where seepage is not a factor.

● **STANDARD CONSTRUCTION:**

- (1) Heavy cast iron body and grate with secondary strainer.
- (2) Hub outlet; female threaded outlet optional.



SQUARE TYPE FLOOR DRAIN
WITH SEEPAGE FLANGE AND REMOVABLE BUCKET
SERIES W-1550



- **RECOMMENDED USES:**
 - (1) Floors in manufacturing and industrial buildings where floor refuse is washed into the drains, and where such debris must be prevented from entering the sewer.

- **STANDARD CONSTRUCTION:**
 - (1) Cast iron body and grate.
 - (2) Cast iron removable sediment bucket.
 - (3) Threaded outlet; hub outlet when ordered.
 - (4) Flashing clamping device extra.

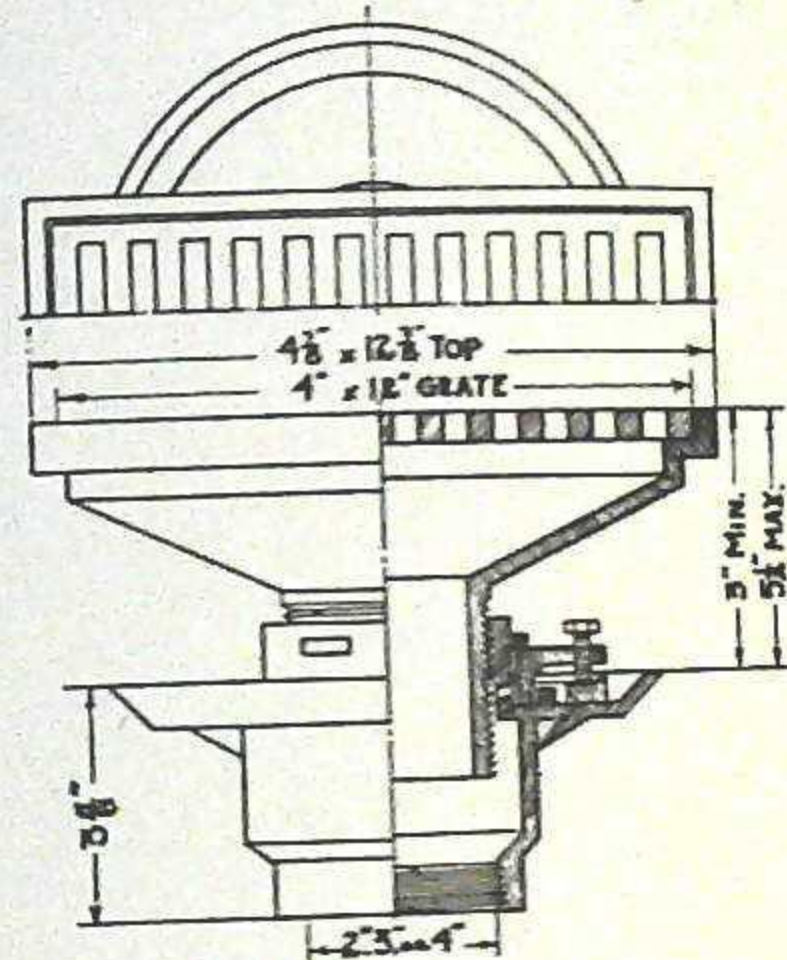
List price, 2", 3", or 4" outlet—\$20.00.

ADJUSTABLE TYPE GUTTER DRAIN
SERIES W-1560

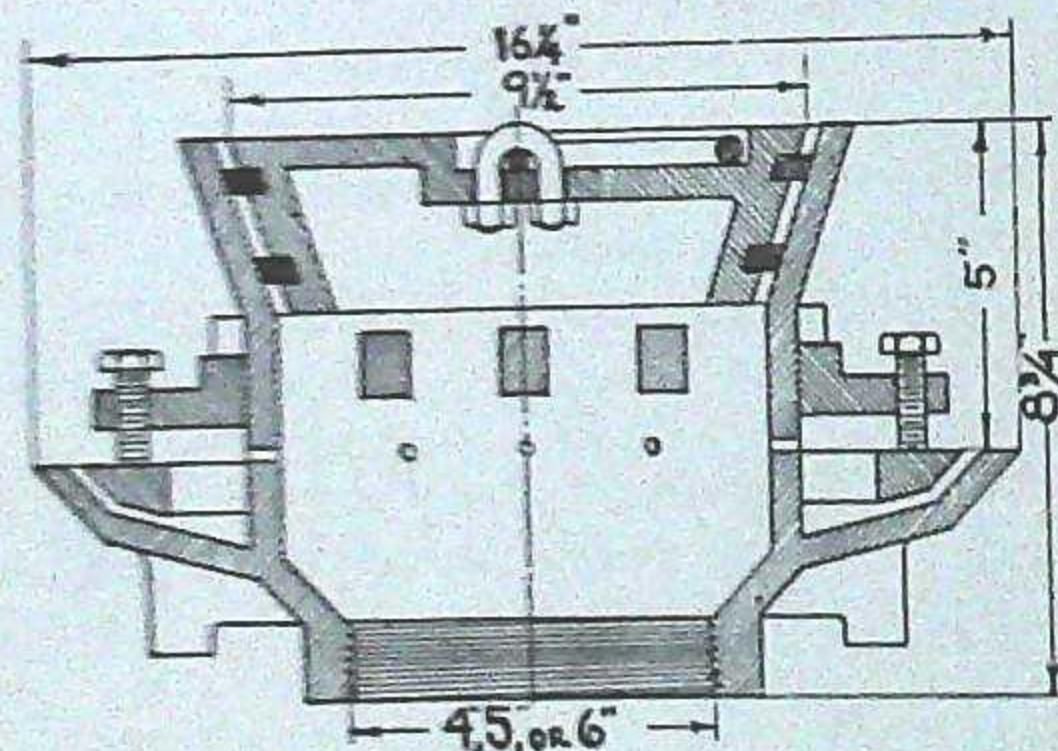
- **RECOMMENDED USES:**
 - (1) Industrial and packing plant floors where an adjustable feature is desired for gutter drain to meet unusual floor conditions.
- **STANDARD CONSTRUCTION:**
 - (1) Cast iron construction throughout.
 - (2) Flashing clamping device is standard equipment.
 - (3) Female threaded outlet; hub outlet optional.

SPECIFICATIONS AND LIST PRICES

No.	Outlet	Wt.	Cast Iron		With Brass Top		All Brass
			Black	Galv.	Black	Galv.	
W-1562	2	25	\$13.50	\$20.00	\$19.40	\$25.75	\$28.20
W-1563	3	26	15.30	23.00	21.20	28.00	30.00
W-1564	4	30	17.00	25.50	22.30	30.00	33.00
Add for Clamping Lugs			1.15	1.75	1.15	1.75	2.95



HEAVY DUTY SLAUGHTERING PEN DRAIN
SERIES W-1570

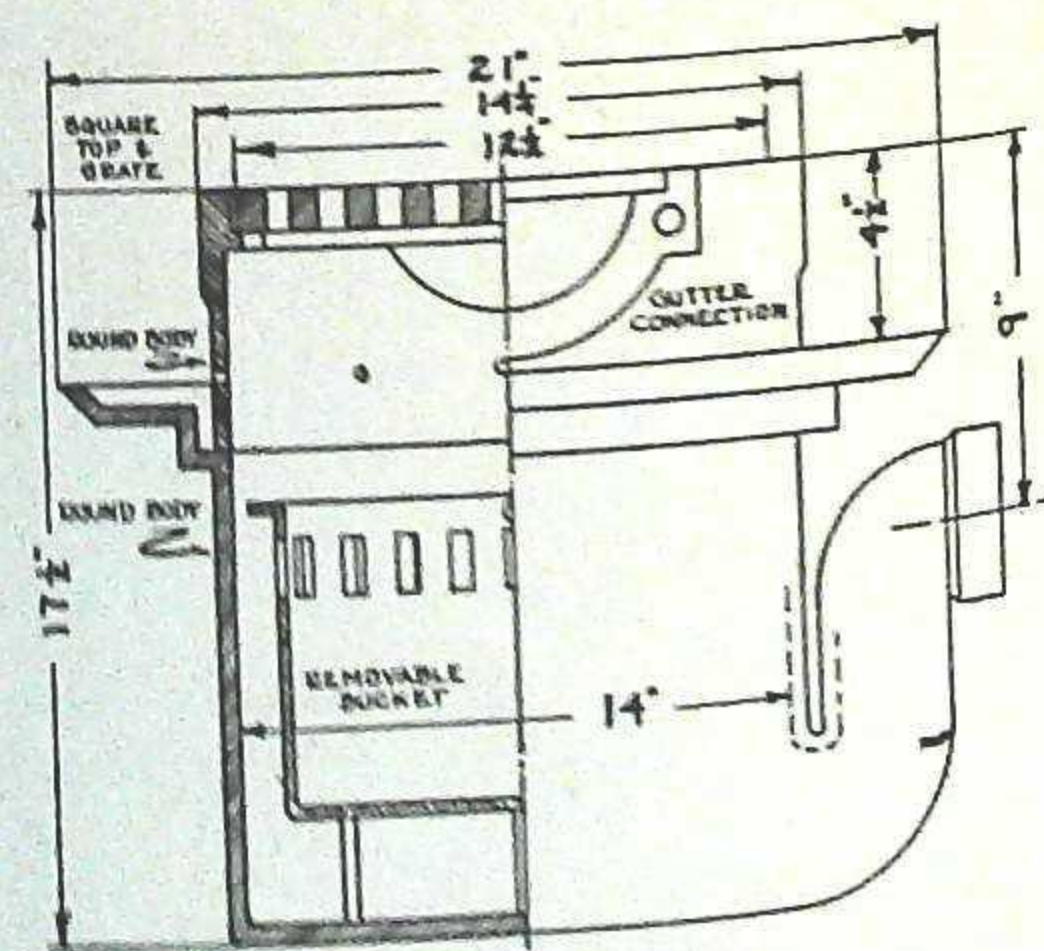


- **RECOMMENDED USES:**
 - (1) Made especially for use in killing floors. Drain is usually furnished in pairs with one interchangeable plug.
- **STANDARD CONSTRUCTION:**
 - (1) Cast iron body and heavy plug with lifting ring.
 - (2) Integral bar strainers.
 - (3) Flashing clamping device standard equipment.
 - (4) Made in one size only with outlets as shown.

Price on application.

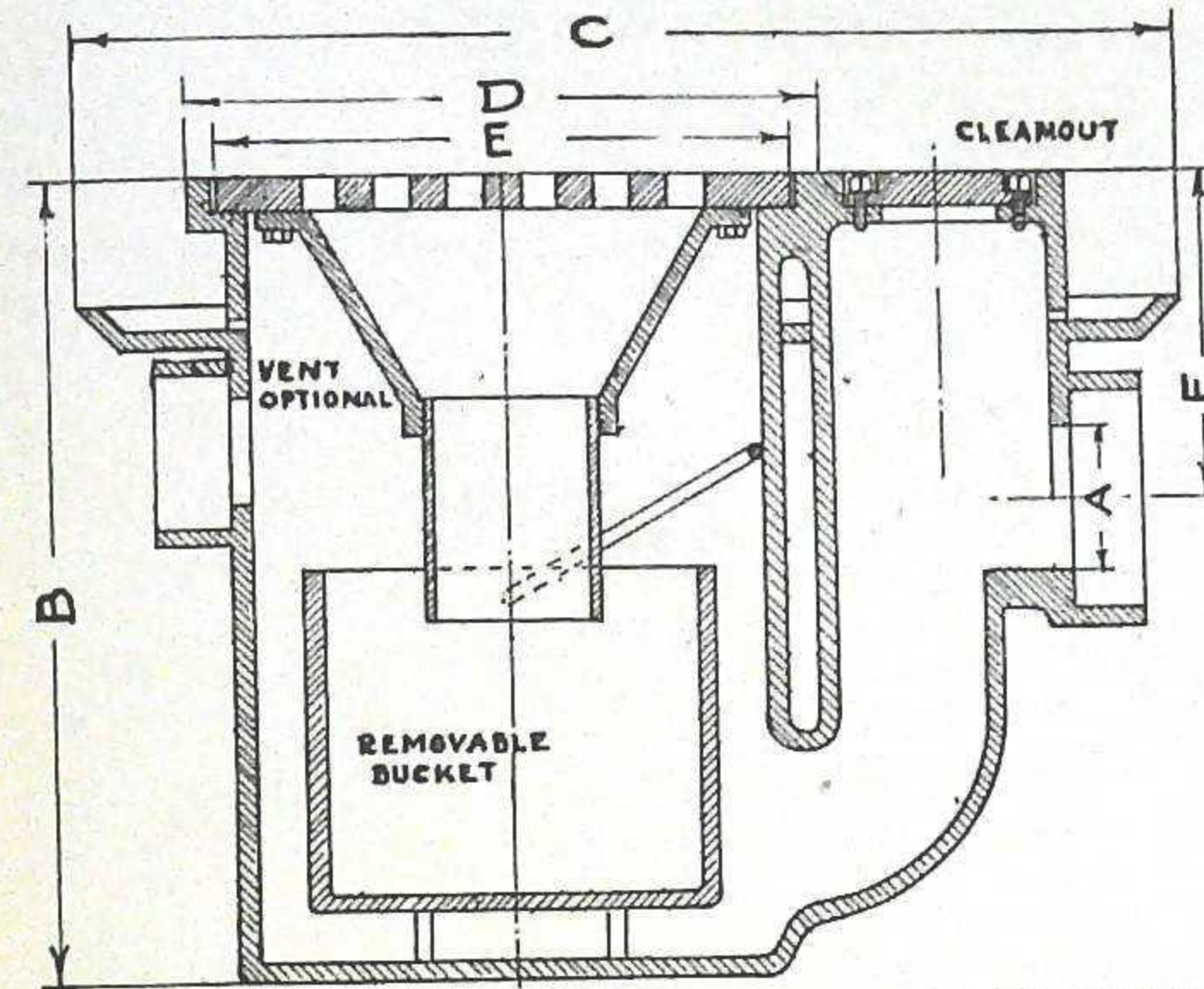
PACKING HOUSE FLOOR DRAIN
WITH GUTTER CONNECTION AND TRAP
SERIES W-1580

- **RECOMMENDED USES:**
 - (1) Designed for packing houses where combination type of drain and trap with gutter connection is desired.
- **STANDARD CONSTRUCTION:**
 - (1) Cast iron throughout; removable sediment bucket; threaded outlet.
- **FEATURES:**
 - (1) Lower half of drain is independent of upper half, enabling connections to be made in any direction.
 - (2) Cast iron gutter furnished at added cost to meet connection on drain body.



Price on application.

FLOOR DRAIN WITH SEEPAGE FLANGE, TRAP,
AND SEDIMENT BUCKET
SERIES W-1600



- **RECOMMENDED USES:**
 - (1) All types of floor construction in industrial plants, garages, etc., where much solid matter is encountered in waste water, or where volatile wastes are prevalent.

- **STANDARD CONSTRUCTION:**
 - (1) Heavy cast iron body, grate, and gas seal cone; latter is bolted to grate.
 - (2) Removable sediment bucket.
 - (3) Bolted type cleanout.
 - (4) Hub outlets and vent.

- **SPECIAL CONSTRUCTION:**
 - (1) Flashing clamping device at added cost.
 - (2) Dimension "F" varies with slab thickness.

SPECIFICATIONS AND LIST PRICES

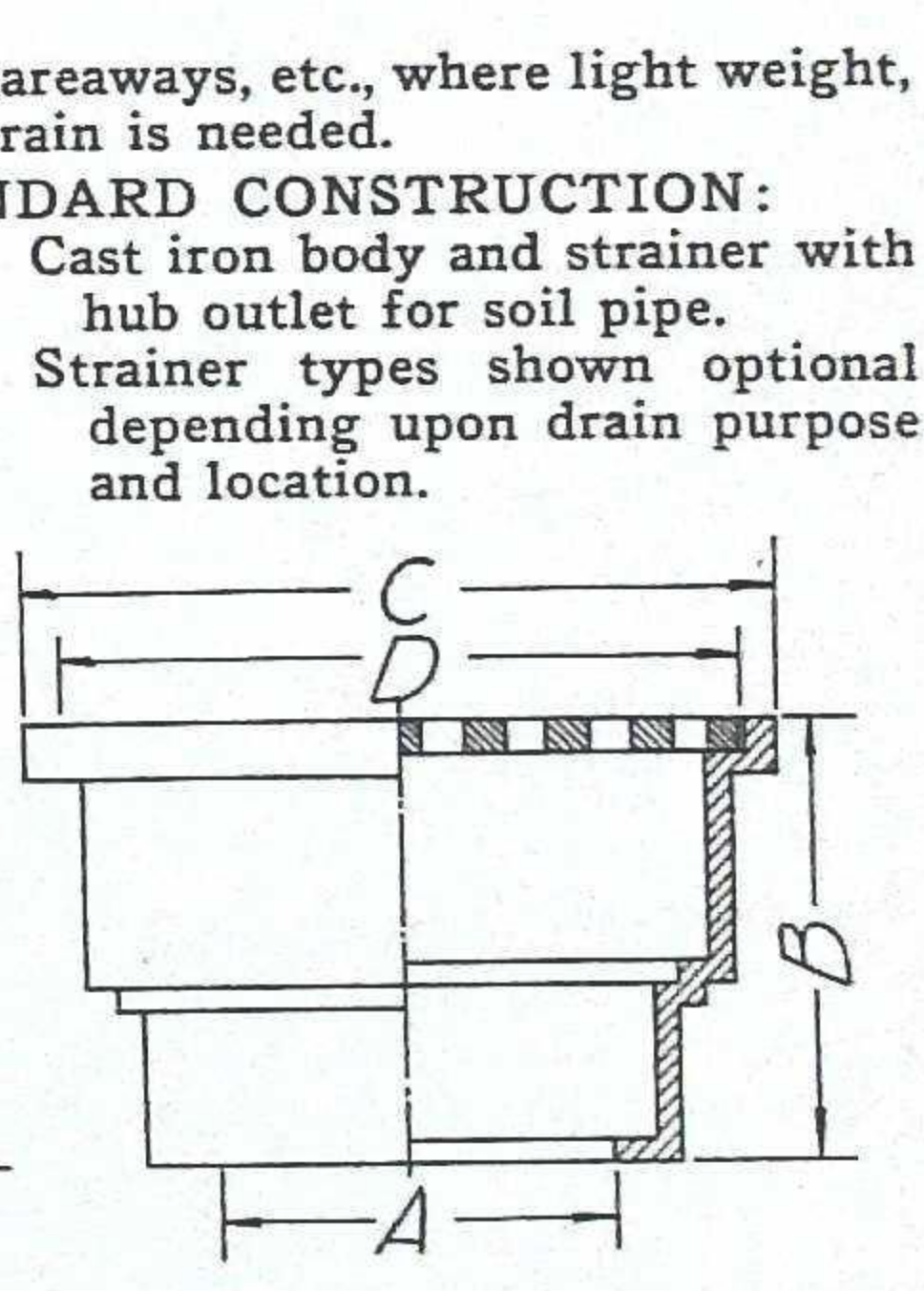
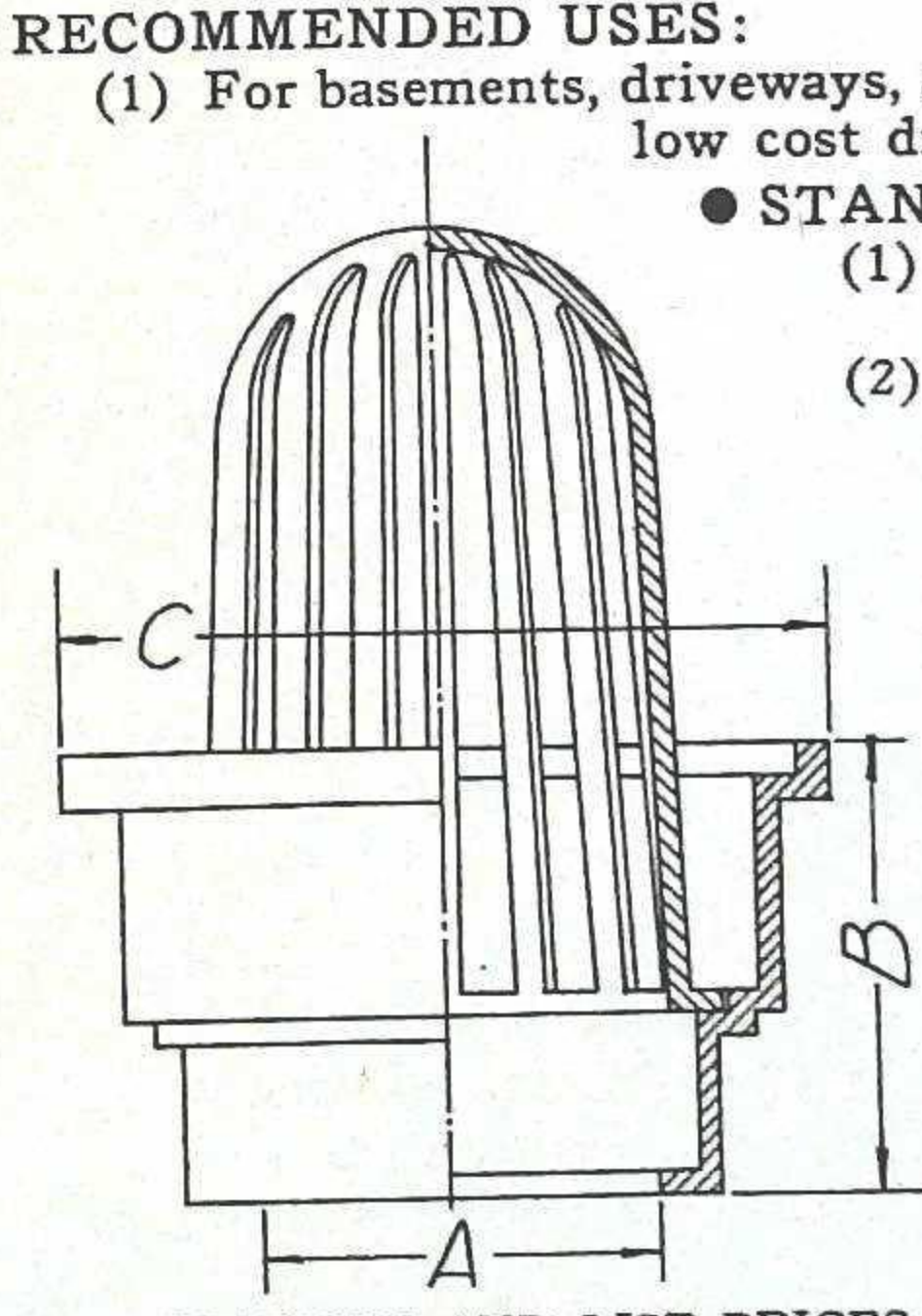
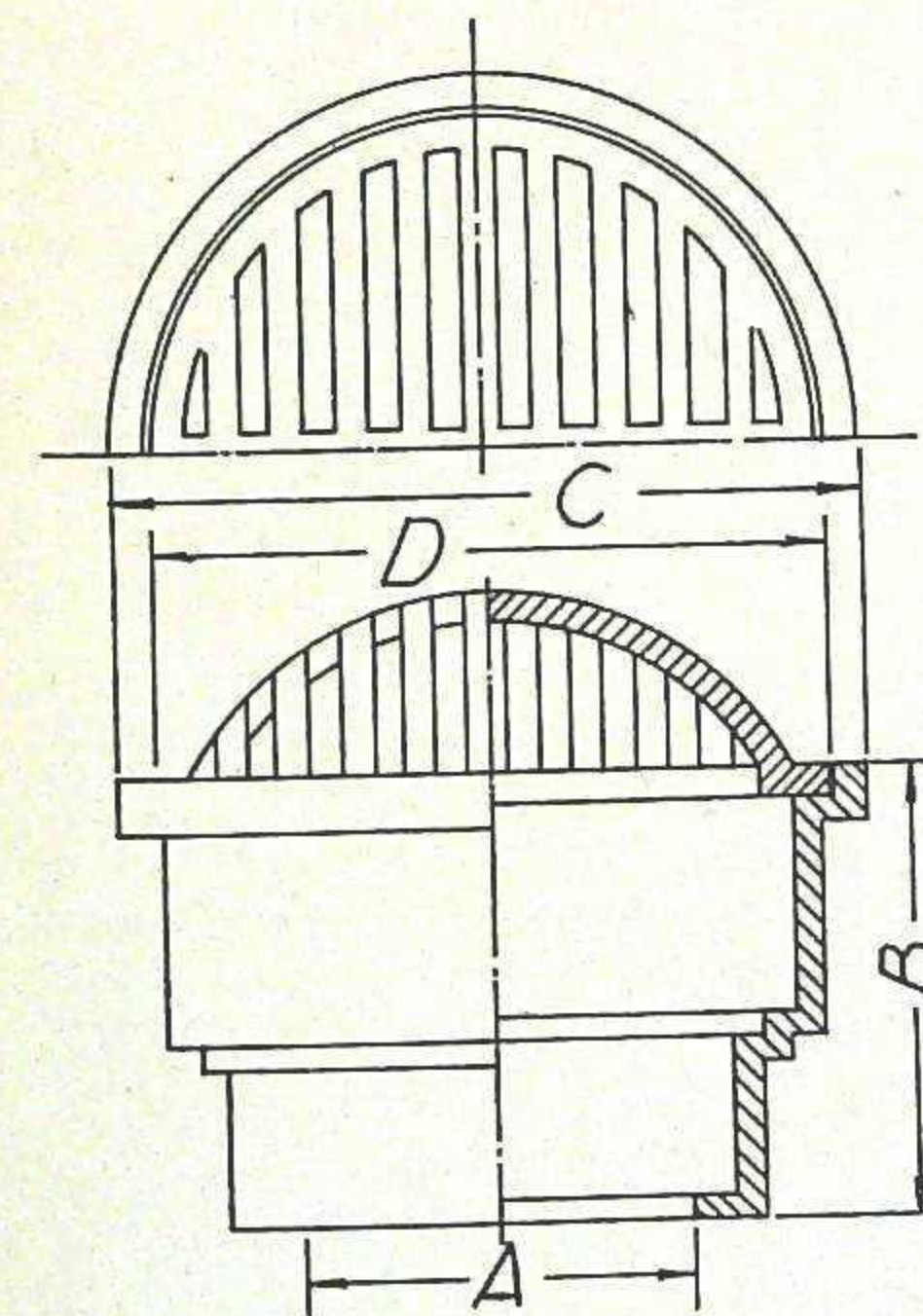
No.	Dimensions						Wt.	Cast Iron		With Brass Top		Less Seepage Flange Deduct
	A	B	C	D	E	Slab		Black	Galv.	Black	Galv.	
W-1601	4	20	26 1/2	15 1/2	14	4	260	\$ 90.00	\$135.00	\$113.50	\$158.50	\$19.40
W-1602	4	22	26 1/2	15 1/2	14	6	280	97.50	146.00	121.00	169.50	19.40
W-1603	4	24	26 1/2	15 1/2	14	8	310	106.00	159.00	129.50	182.50	19.40
W-1604	4	26	26 1/2	15 1/2	14	10	325	113.00	170.00	136.50	193.50	19.40
Add for Clamping Lugs								12.00	18.00	12.00	18.00	
Grate								5.30	8.00	15.25	19.50	
Bucket								12.00	18.00	12.00	18.00	
Cone								7.00	10.50	7.00	10.50	

LIGHT SERVICE AREA DRAINS

SERIES W-1620

SERIES W-1630

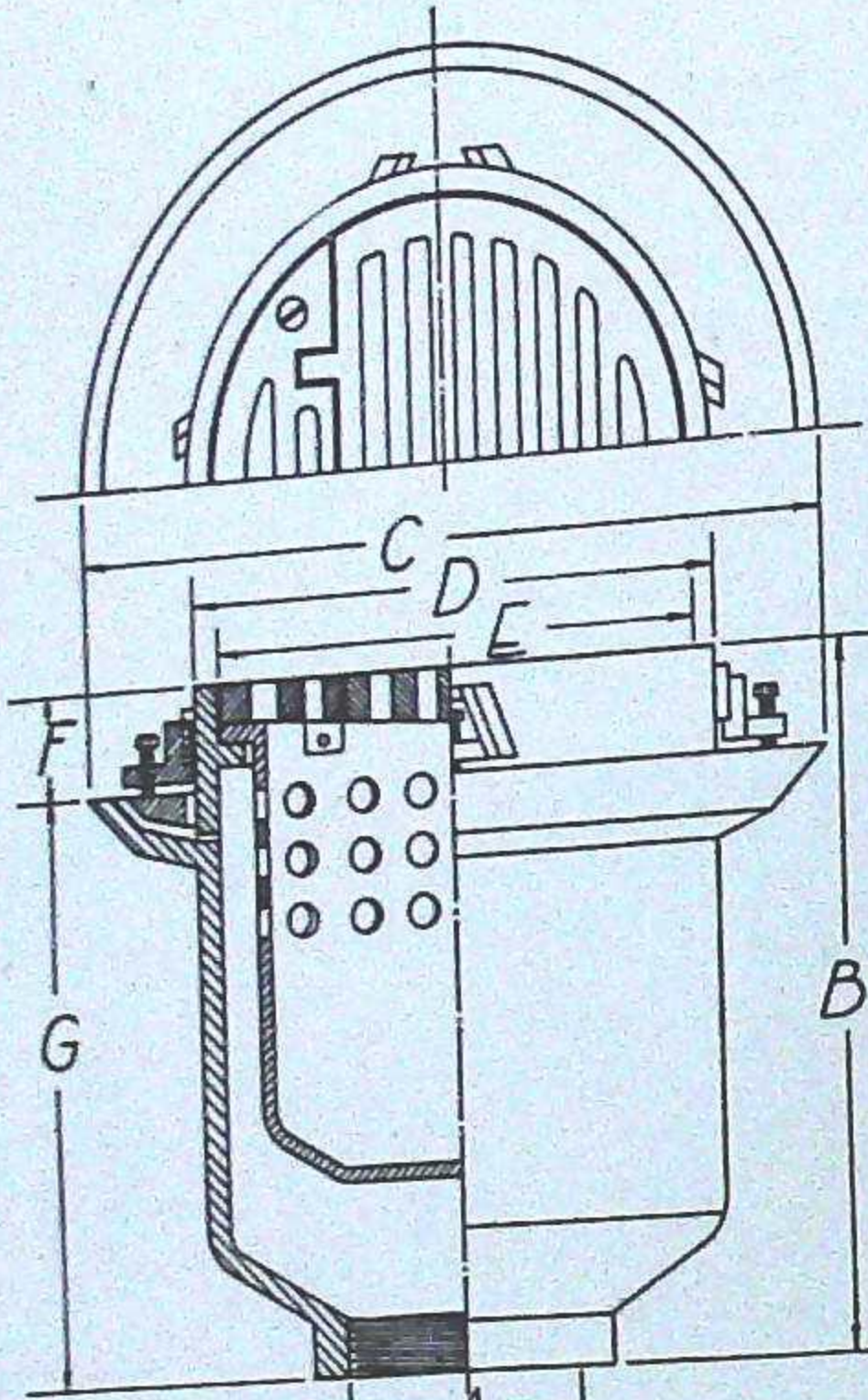
SERIES W-1640



SPECIFICATIONS AND LIST PRICES

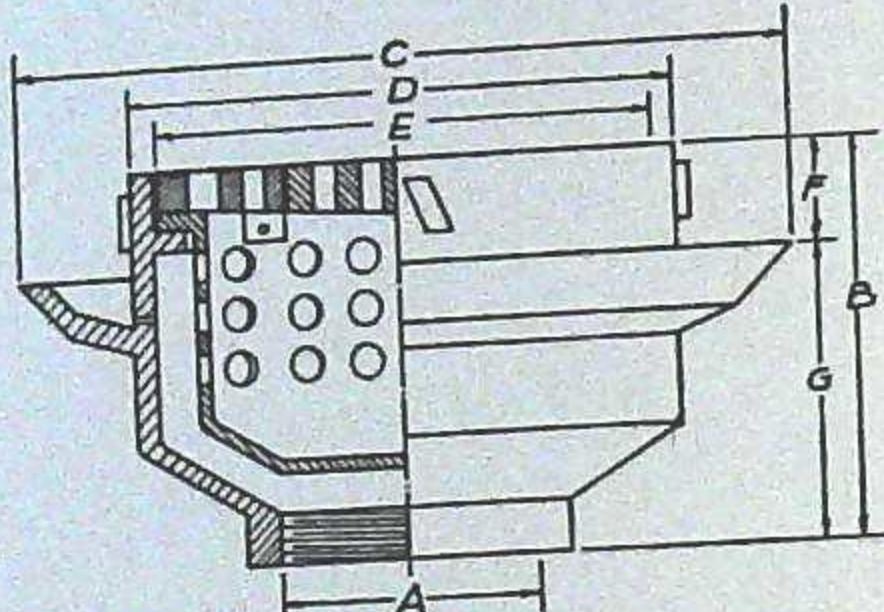
No.	Dimensions				Wt.	Cast Iron		With Brass Top		All Brass	White Metal Top	Chrome Plated Top
	A	B	C	D		Black	Galv.	Black	Galv.			
W-1620	2", 3" and 4"	5 1/2	9	8	12	\$4.40	\$6.60	\$11.20	\$13.40	\$15.00	\$18.30	\$13.50
W-1630	2", 3" and 4"	5 1/2	9	8	12	4.40	6.60	11.20	13.40	15.00	18.30	13.50
W-1640	2", 3" and 4"	5 1/2	9	8	12	4.40	6.60	11.20	13.40	15.00	18.30	13.50

EXTRA HEAVY TYPE FLOOR DRAINS
WITH HINGED GRATES AND REMOVABLE SEDIMENT BUCKETS

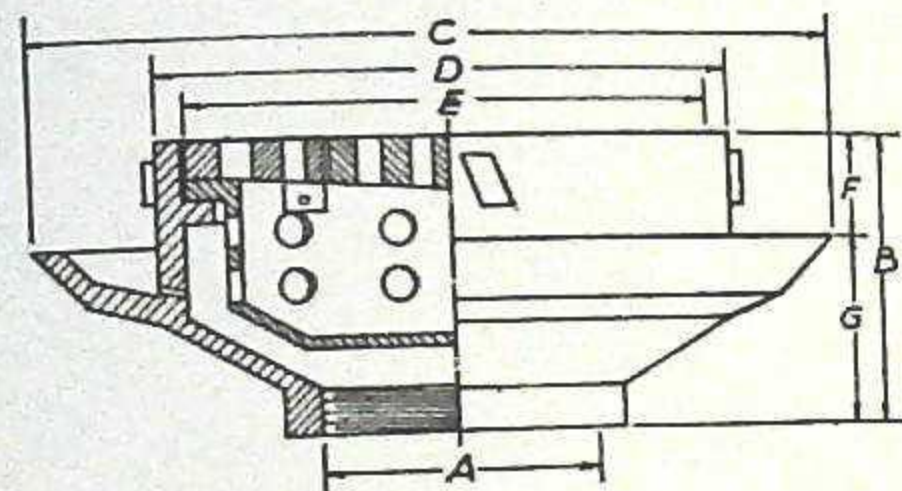


SERIES W-1700

- **RECOMMENDED USES:**
 - (1) All floor construction in buildings requiring an intercepting drain.
 - (2) Especially suited for garages, dairies, breweries, bottling plants, packing plants, etc., wherever debris may enter drainage lines from floor washings.
- **STANDARD CONSTRUCTION:**
 - (1) Three types for heavy and light duty with deep and shallow sediment buckets.
 - (2) Heavy hinged grates and sediment buckets; all cast iron.
 - (3) Female threaded outlet; hub outlet optional.
- **SPECIAL CONSTRUCTION:**
 - (1) Flashing clamping device when specified.
 - (2) Square top flange when specified; see table below.
- **FEATURES:**
 - (1) Hinged grate bolted to sediment bucket.
 - (2) Water quickly passed to sewer, but solids are retained in bucket.
 - (3) Grate cannot be replaced without bucket.



SERIES W-1710



SERIES W-1720

SPECIFICATIONS AND LIST PRICES

No.	Dimensions						Wt.	Cast Iron		With Brass Top		All Brass	Add for	
	A	B	C	D	E	F		Black	Galv.	Black	Galv.		White Metal Top	Chrome Plated Top
W-1702	2	14	16 5/8	12 3/8	11 1/2	2	80	\$30.50	\$45.00	\$50.00	\$65.00	\$104.00	\$9.40	\$3.50
W-1703	3	14	16 5/8	12 3/8	11 1/2	2	80	30.50	45.00	50.00	65.00	104.00	9.40	3.50
W-1704	4	14	16 5/8	12 3/8	11 1/2	2	80	30.50	45.00	50.00	65.00	104.00	9.40	3.50
W-1705	5	14	16 5/8	12 3/8	11 1/2	2	80	30.50	45.00	50.00	65.00	104.00	9.40	3.50
W-1706	6	14	16 5/8	12 3/8	11 1/2	2	80	30.50	45.00	50.00	65.00	104.00	9.40	3.50
With Square Top								32.50	47.50	52.50	67.50	109.00	9.80	3.70
With Side Outlet								38.25	53.25	58.25	73.50	116.00	9.40	3.00
With Loose Grate and Bucket								25.25	37.50	42.00	54.50	76.00	6.00	
Add for Clamping Lugs								2.35	3.50	2.35	3.50			
Bucket								10.60	16.50	10.60	16.50	21.00		
Grate								4.70	7.00	10.50	10.50	10.50		

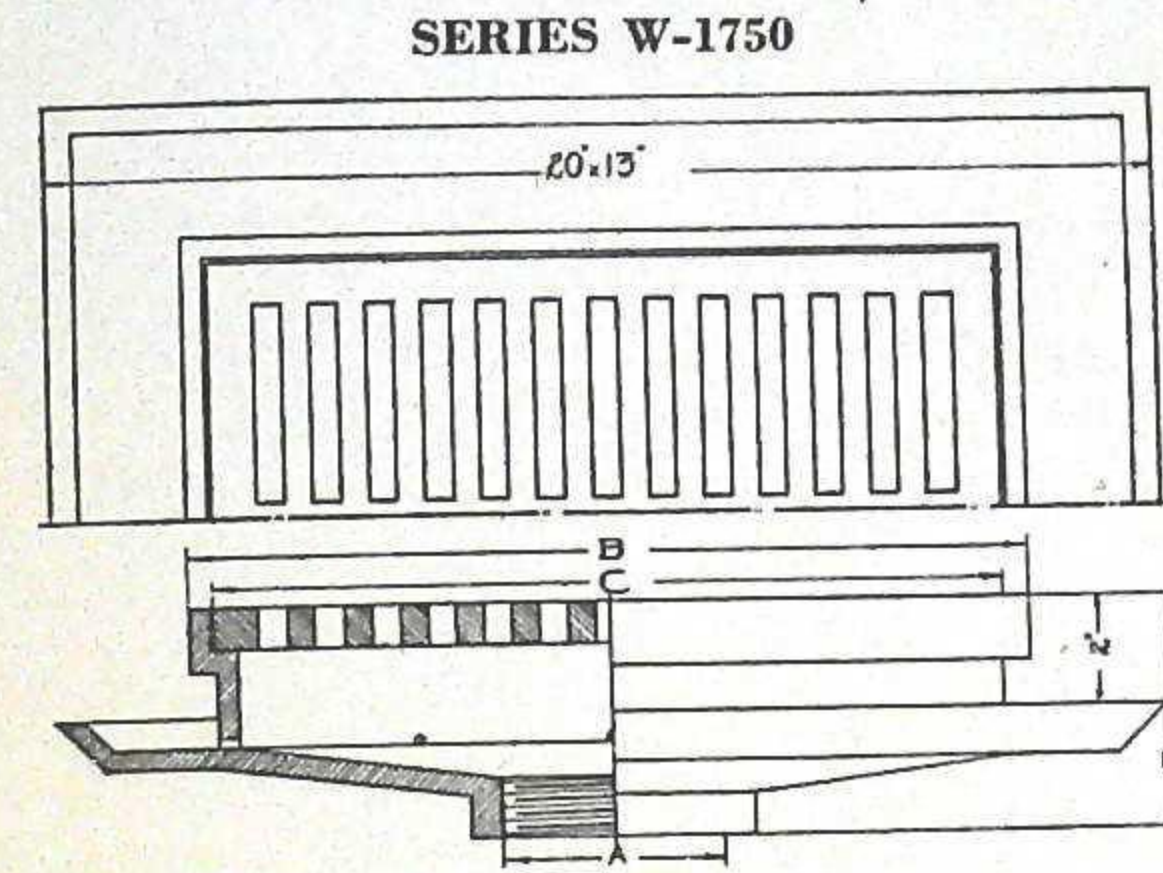
SERIES W-1710

W-1712	2	8	16 5/8	12 3/8	11 1/2	2	65	21.00	31.00	41.00	49.00	68.00	9.40	3.50
W-1713	3	8	16 5/8	12 3/8	11 1/2	2	65	21.00	31.00	41.00	49.00	68.00	9.40	3.50
W-1714	4	8	16 5/8	12 3/8	11 1/2	2	65	21.00	31.00	41.00	49.00	68.00	9.40	3.50
W-1715	5	8	16 5/8	12 3/8	11 1/2	2	65	21.00	31.00	41.00	49.00	68.00	9.40	3.50
W-1716	6	8	16 5/8	12 3/8	11 1/2	2	65	21.00	31.00	41.00	49.00	68.00	9.40	3.50
With Square Top								22.25	32.25	42.25	51.00	69.50	9.80	3.70
With Side Outlet								26.50	35.00	46.50	55.00	78.00	9.40	3.00
With Loose Grate and Bucket								16.50	25.00	33.50	42.00	55.00	6.00	
Add for Clamping Lugs								2.35	3.50	2.35	3.50			
Bucket								10.60	16.50	10.60	16.50	21.00		
Grate								4.70	7.00	10.50	10.50	10.50		

SERIES W-1720

W-1722	2	5 1/2	13 3/8	9 3/8	8 1/2	2	35	15.80	23.50	27.00	35.00	43.00	7.00	2.35
W-1723	3	5 1/2	13 3/8	9 3/8	8 1/2	2	35	15.80	23.50	27.00	35.00	43.00	7.00	2.35
W-1724	4	5 1/2	13 3/8	9 3/8	8 1/2	2	35	15.80	23.50	27.00	35.00	43.00	7.00	2.35
With Square Top								16.50	24.20	27.80	35.00	44.00	7.30	2.50
With Loose Grate and Bucket								10.50	16.00	22.00	28.00	31.50	6.50	2.00
Add for Clamping Lugs								1.75	2.35	1.75	2.35	5.00		
Bucket								2.95	4.50	2.95	4.50	9.00		
Grate								2.95	4.50	9.00	9.00	9.00		

GUTTER DRAINS WITH AND WITHOUT SEEPAGE FLANGE

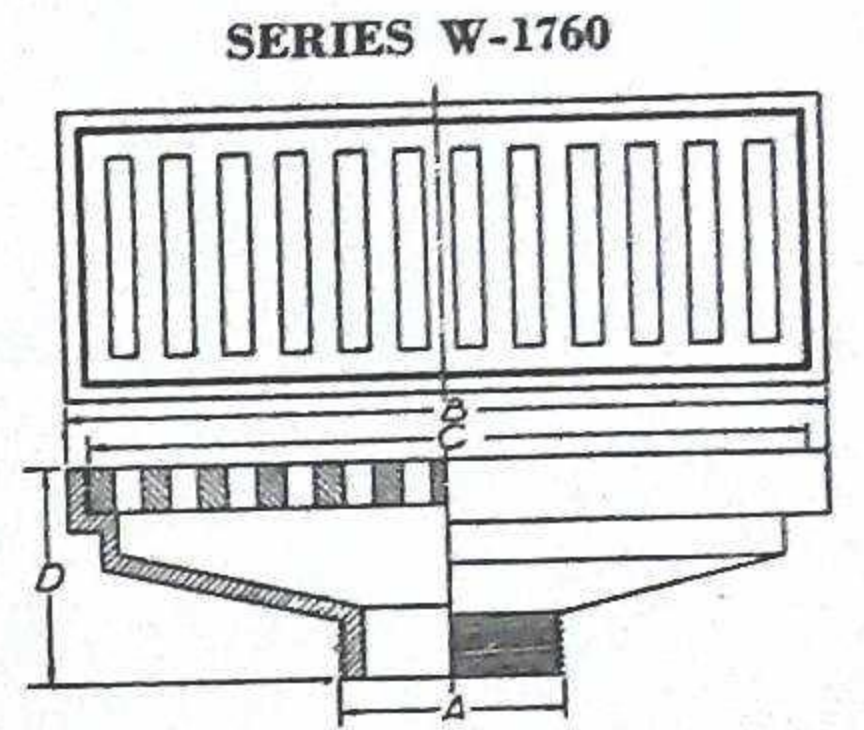


SERIES W-1750

- **RECOMMENDED USES:**
 - (1) All types of gutters in industrial buildings where large volumes of water must be handled; also useful as gang shower drain.

- **STANDARD CONSTRUCTION:**
 - (1) Female threaded outlet on W-1750; male threaded outlet on W-1760.
 - (2) Hub outlet optional on both types.

- **FEATURES:**
 - (1) Series W-1760 adaptable for use as adjustable gutter drain in connection with Series W-1100 as shown under Series W-1560 on page 14.



SERIES W-1760

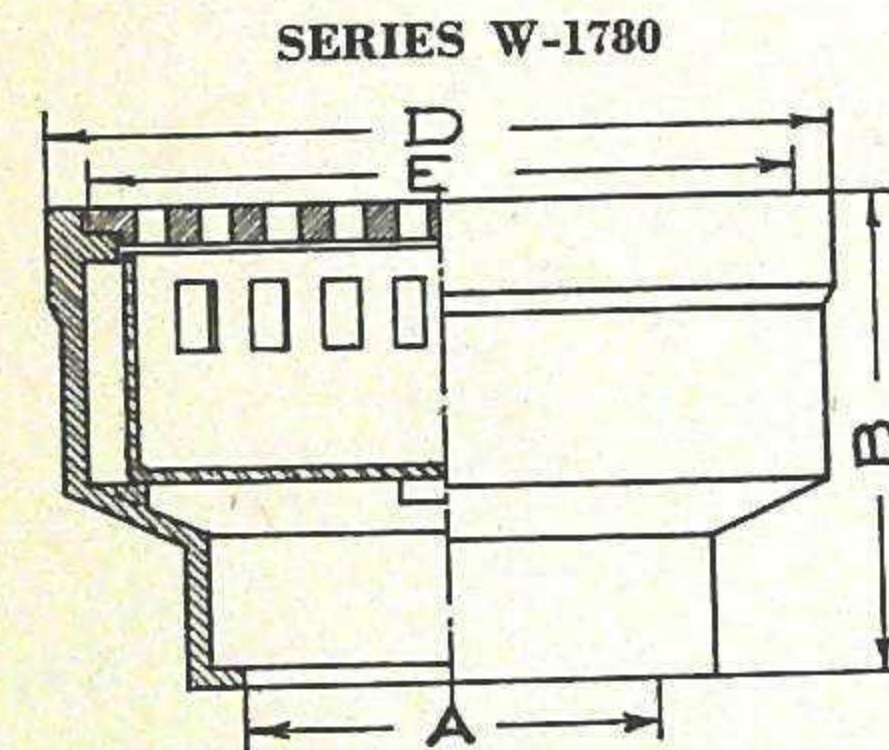
SPECIFICATIONS AND LIST PRICES

No.	Dimensions				Wt.	Cast Iron		With Brass Top		All Brass	White Metal Top	Chrome Plated Top
	A	B	C	D		Black	Galv.	Black	Galv.			
W-1754	4	15 1/2 x 8 1/2	14 1/2 x 7 1/2	4	39	\$15.30	\$23.00	\$26.00	\$33.50	\$42.00	\$39.00	\$30.70
W-1755	5	15 1/2 x 8 1/2	14 1/2 x 7 1/2	4	39	15.30	23.00	26.00	33.50	42.00	39.00	30.70
W-1756	6	15 1/2 x 8 1/2	14 1/2 x 7 1/2	4	39	15.30	23.00	26.00	33.50	42.00	39.00	30.70
Add for Clamping Lugs						3.50	5.25	3.50	5.25	7.00		

SERIES W-1760

W-1762	2	4 7/8 x 12 3/8	4 x 12	4	16	8.25	12.40	15.30	19.50	22.00	19.40	17.00
W-1763	3	4 7/8 x 12 3/8	4 x 12	4	16	8.25	12.40	15.30	19.50	22.00	19.40	17.00
W-1764	4	4 7/8 x 12 3/8	4 x 12	4	16	8.25	12.40	15.30	19.50	22.00	19.40	17.00

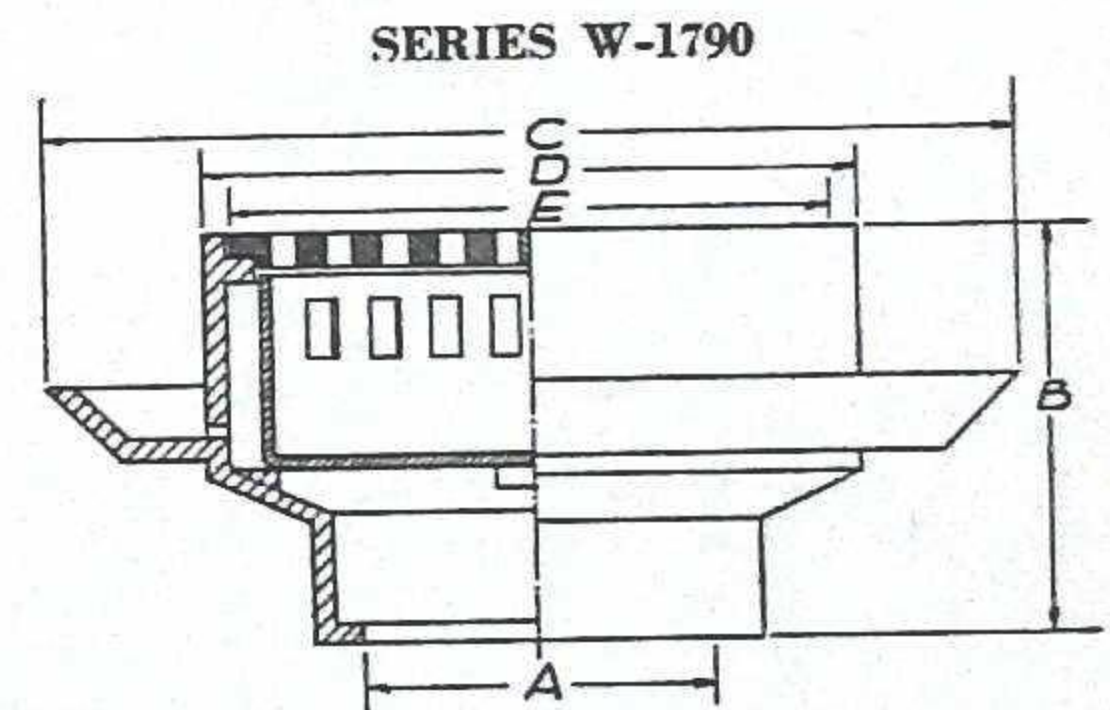
LIGHT WEIGHT AREA AND FLOOR DRAINS



SERIES W-1780

- **RECOMMENDED USES:**
 - (1) Small home basements and floor areas not subject to heavy service.
 - (2) Wherever small cesspool can be used.
- **STANDARD CONSTRUCTION:**
 - (1) Cast iron body, grate, and small bucket.
 - (2) Hub outlet; threaded outlet optional.

- **SPECIAL CONSTRUCTION:**
 - (1) Seepage flange with clamping device on Series W-1790 only.
 - (2) See table for other variations.



SERIES W-1790

- **FEATURES:**
 - (1) Low cost with unusual utility.

SPECIFICATIONS AND LIST PRICES

No.	Dimensions					Wt.	Cast Iron		With Brass Tops		All Brass	White Metal Top	Chrome Plated Top
	A	B	C	D	E		Black	Galv.	Black	Galv.			
W-1782	2	5 1/2	13	9	8	15	\$6.50	\$9.75	\$13.60	\$16.80	\$17.75	\$20.70	\$16.00
W-1783	3	5 1/2	13	9	8	15	6.50	9.75	13.60	16.80	17.75	20.70	16.00
W-1784	4	5 1/2	13	9	8	15	6.50	9.75	13.60	16.80	17.75	20.70	16.00
With Square Top							6.80	10.00	14.00	17.00	18.00	21.00	16.20
Deduct for Bucket							2.05	3.10	2.05	3.10			

SERIES W-1790

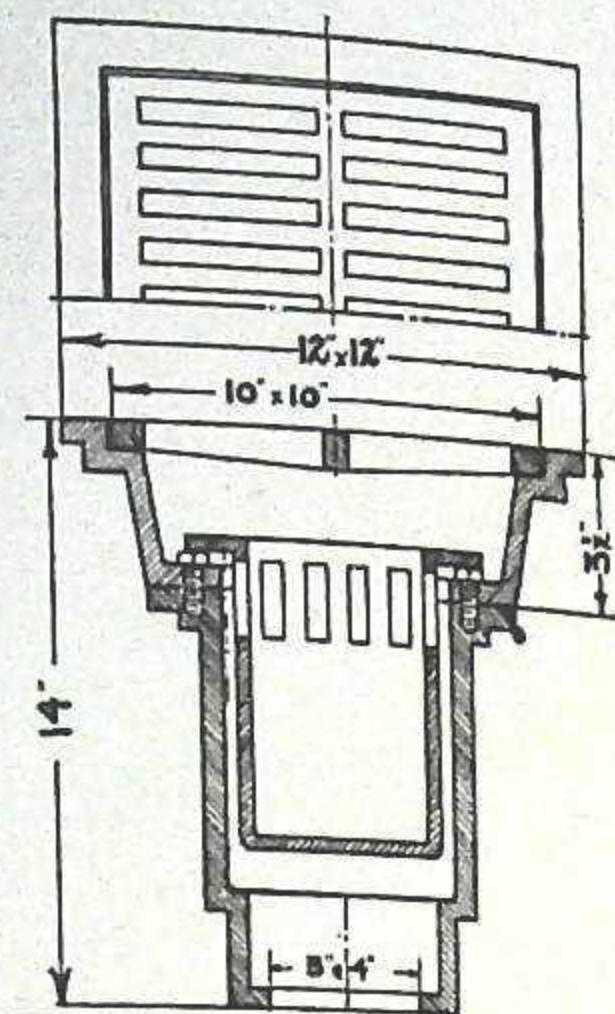
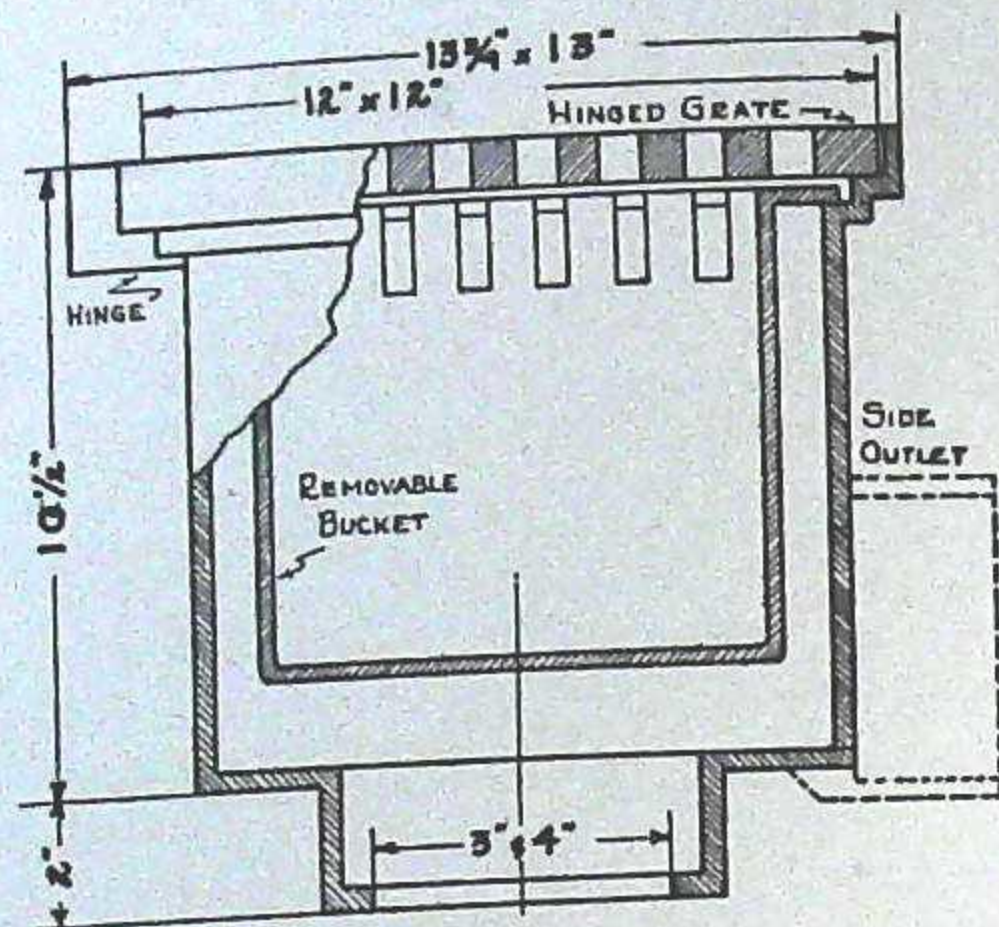
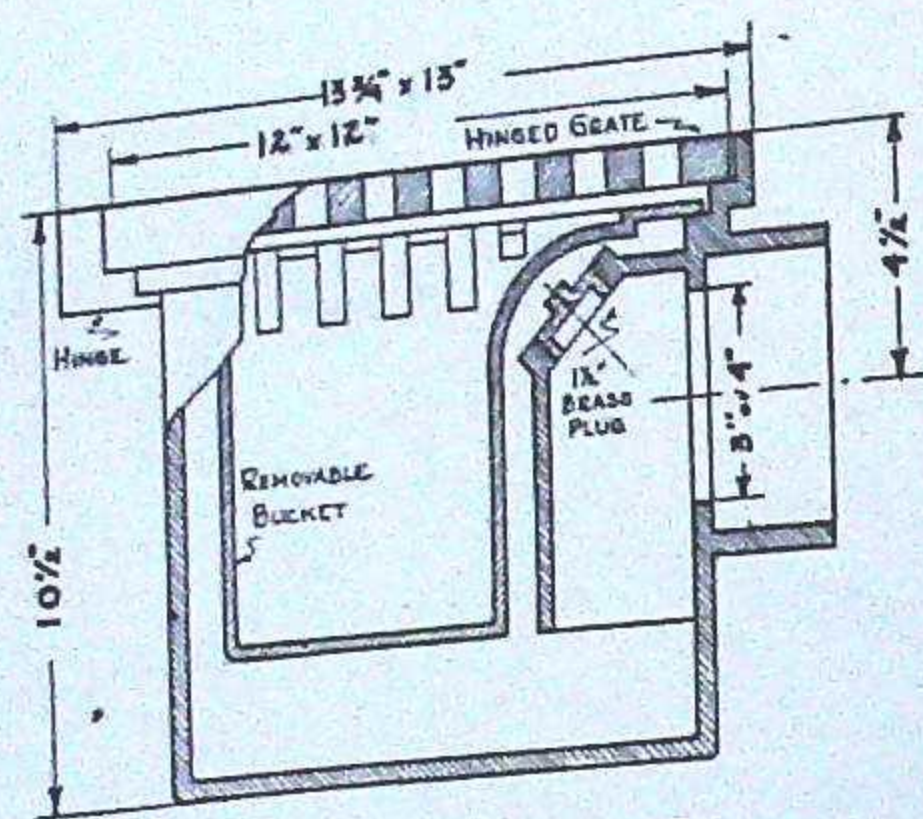
W-1792	2	5 1/2	13	9	8	25	8.80	13.20	16.00	20.00	25.00	23.00	18.35
W-1793	3	5 1/2	13	9	8	25	8.80	13.20	16.00	20.00	25.00	23.00	18.35
W-1794	4	5 1/2	13	9	8	35	8.80	13.20	16.00	20.00	25.00	23.00	18.35
With Square Top							9.30	15.00	16.75	22.00	26.50	23.85	19.25
Grate							2.35	2.90	4.70	4.70	4.70		
Add for Clamping Lugs							1.75	2.60	1.75	2.60			

HEAVY DUTY FLOOR DRAINS WITH SEDIMENT BUCKETS

SERIES W-1810

SERIES W-1820

SERIES W-1830



- RECOMMENDED USES:**
- (1) Floors requiring heavy drains with provision for intercepting debris.
 - (2) All floors in breweries, industrial and manufacturing plants.

- STANDARD CONSTRUCTION:**
- (1) Cast iron body and heavy cast iron grate with removable sediment bucket. Hub outlet on all types.
 - (2) Two piece body construction on Series W-1830 for water-proofing if required.

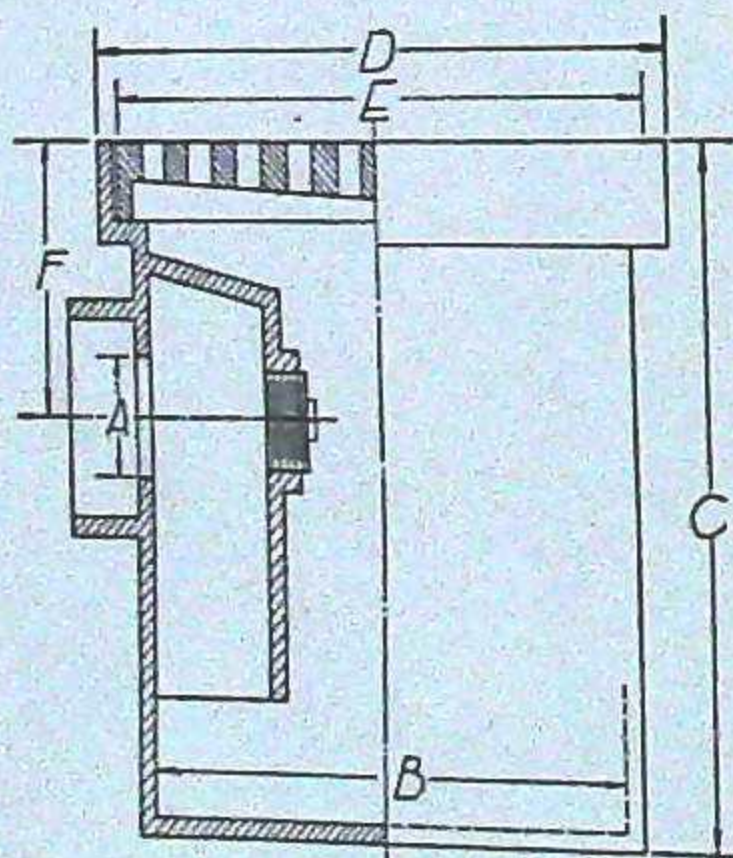
SPECIFICATIONS AND LIST PRICES

No.	Outlet	Size of Top	Wt.	Cast Iron		With Brass Top		Add for	
				Black	Galv.	Black	Galv.	White Metal Top	Chrome Plated Top
W-1810	3" and 4"	13 x 13	70	\$23.00	\$34.50	\$49.00	\$60.00	\$17.60	\$6.00
W-1820	2", 3" and 4"	13 x 13	77	23.00	34.50	49.00	60.00	17.60	6.00
Side Outlet	2", 3" and 4"	13 x 13	77	29.00	43.50	55.00	69.50	17.60	6.00
W-1830	2", 3" and 4"	12 x 12	50	24.00	36.00	50.00	66.00	15.50	6.00

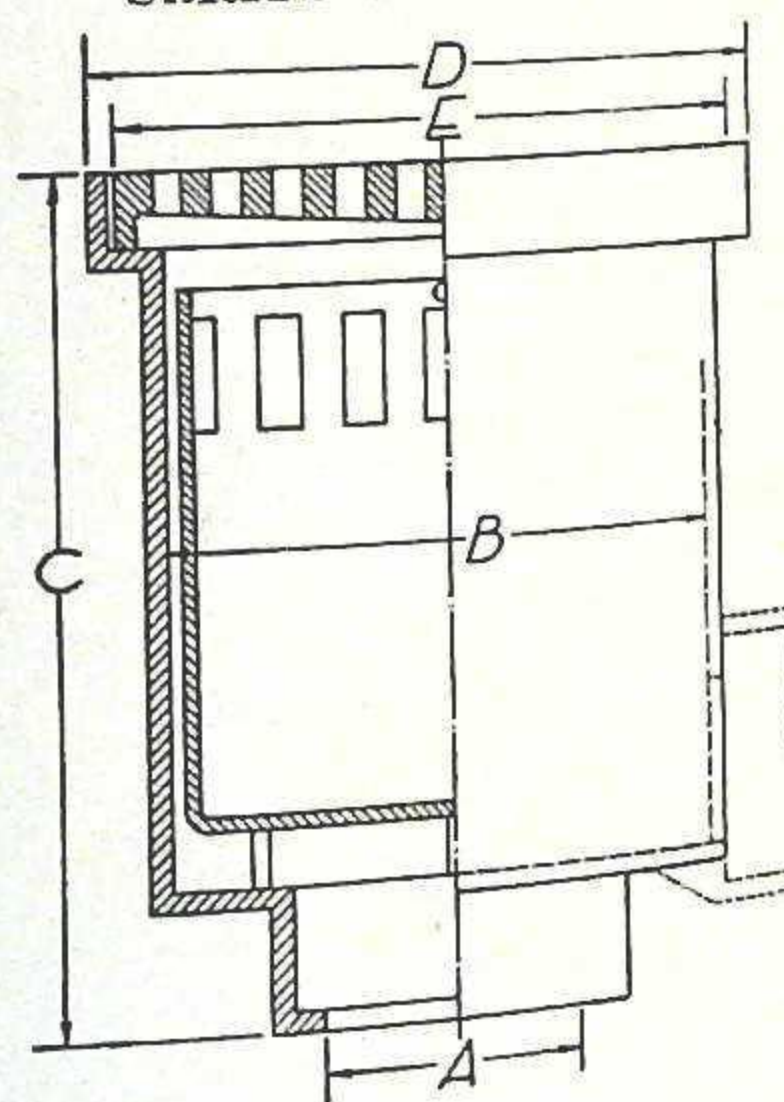
SERIES W-1860

EXTRA HEAVY GARAGE DRAIN AND MUD BASIN

SERIES W-1870



- RECOMMENDED USES:**
- (1) Any type of floor construction in garages, service stations, industrial plants, breweries, etc.
 - (2) All-purpose heavy service drain.
- STANDARD CONSTRUCTION:**
- (1) Cast iron body with extra heavy large area grate.
 - (2) Integral trap and cleanout, inside type, furnished in Series W-1860.
 - (3) Bottom or side outlet for soil pipe furnished on Series W-1870.
 - (4) Removable bucket furnished with Series W-1870.
- SPECIAL CONSTRUCTION:**
- (1) Additional openings furnished when specified.
 - (2) Bucket furnished for Series W-1860 at added cost.
 - (3) Brass tops at added cost.



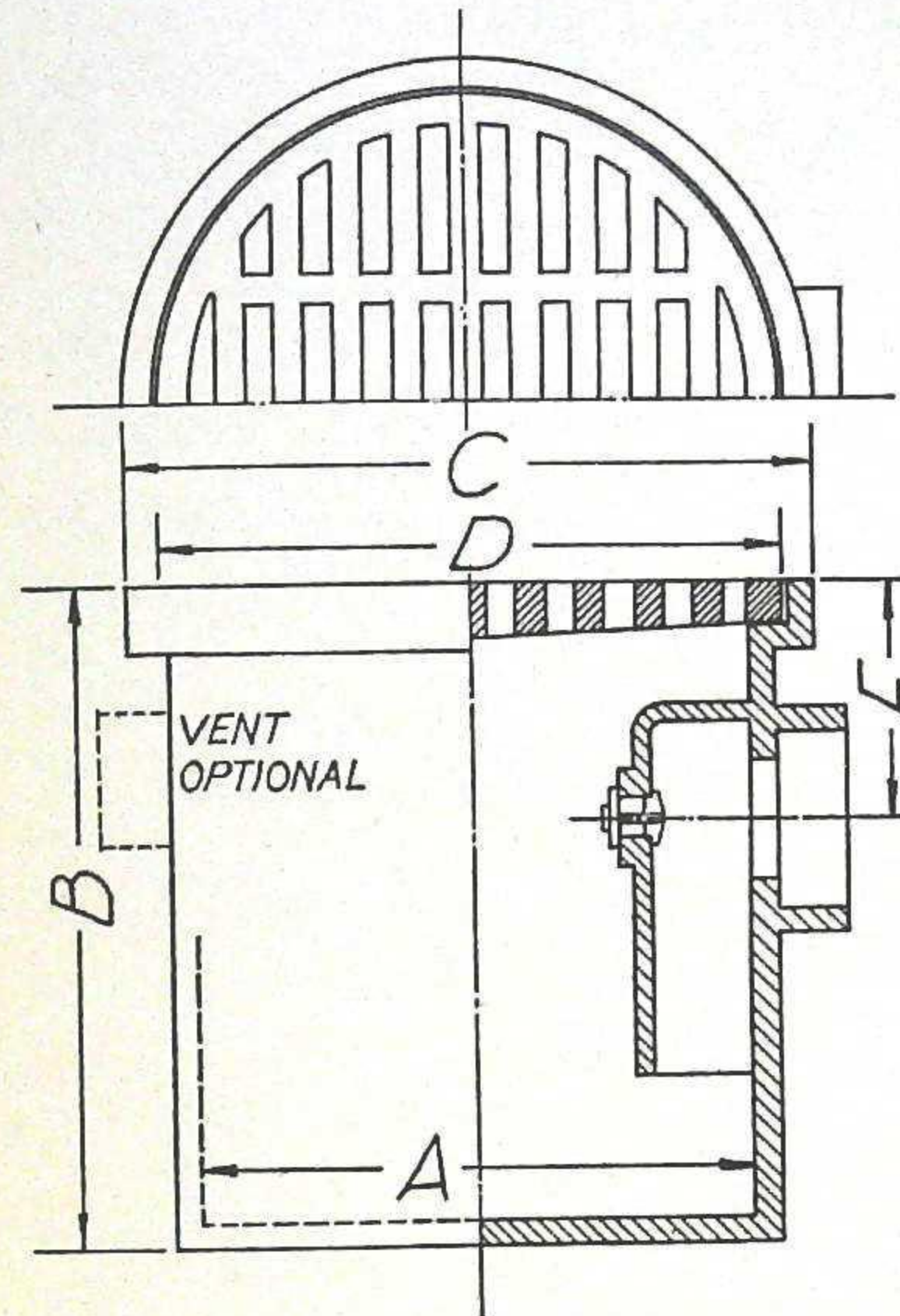
SPECIFICATIONS AND LIST PRICES

No.	Dimensions	Wt.	Series W-1860		Series W-1870	
			Black	Galv.	Black	Galv.
W-1861	2	85	\$17.60	\$26.50	\$29.50	\$44.50
W-1862	3	140	23.50	35.00	35.50	53.00
W-1863	4	175	28.00	42.00	40.00	60.00
W-1864	4	200	32.00	48.00	44.00	66.00
W-1865	4	210	36.50	55.00	51.00	76.50
W-1866	4	220	41.00	61.50	56.00	84.00
W-1867	4	230	46.00	69.00	61.00	91.00

*Nominal sizes only; subject to variation.
†Add 2" to depth for W-1870.

HEAVY DUTY MUD AND FLOOR DRAIN BASIN

SERIES W-1900



- ADAPTED FOR:**
- (1) Large floor areas in garages, service stations, bus terminals; wash racks in large garages, etc.
 - (2) Any industrial use where a single large drain basin is suitable.
 - (3) See plan of triple garage basins, Series W-6300 on page 49.

- STANDARD CONSTRUCTION:**
- (1) Extra heavy type grate, supporting all traffic loads.
 - (2) Deep seal, integral type trap with removable cleanout door.
 - (3) Hub outlet; either 4" or 6".

- SPECIAL CONSTRUCTION:**
- (1) Local vent optional as shown.
 - (2) Additional hub openings optional, placed wherever required.
 - (3) Dimension "E" standard as shown, but is variable to meet job conditions.
 - (4) Sediment bucket can be supplied at extra cost.
 - (5) Larger sizes can be furnished on special order.

- FEATURES:**
- (1) Easily adapted to meet any and all job conditions by changing hub locations.

SPECIFICATIONS AND LIST PRICES

No.	Dimensions						Wt.	Cast Iron	Add for Bucket
	A	B	C	D	E	Outlet			
W-1901	18	18	21	20	9	4	250	\$35.00	\$15.00
W-1902	18	20	21	20	9	4	260	37.00	15.00
W-1903	18	24	21	20	9	4-6	275	39.00	15.00
W-1904	18	30	21	20	9	4-6	310	45.00	15.00
W-1905	18	36	21	20	9	4-6	350	52.00	15.00
W-1906	20	24	24	20	9	4-6	340	49.00	
W-1907	20	30	24	20	9	4-6	380	57.00	
W-1908	20	36	24	20	9	4-6	420	64.00	
W-1909	24	24	28	20	9	6	480	61.00	
W-1910	24	30	28	20	9	6	525	70.00	
W-1911	24	36	28	20	9	6	575	78.00	
W-1912	24	42	28	20	9	6	625	86.00	
W-1913	30	30	34	20	9	6	750	100.00	
W-1914	30	36	34	20	9	6	850	110.00	
W-1915	36	36	40	20	9	6	1100	139.00	
W-1916	36	42	40	20	9	6	1300	152.00	

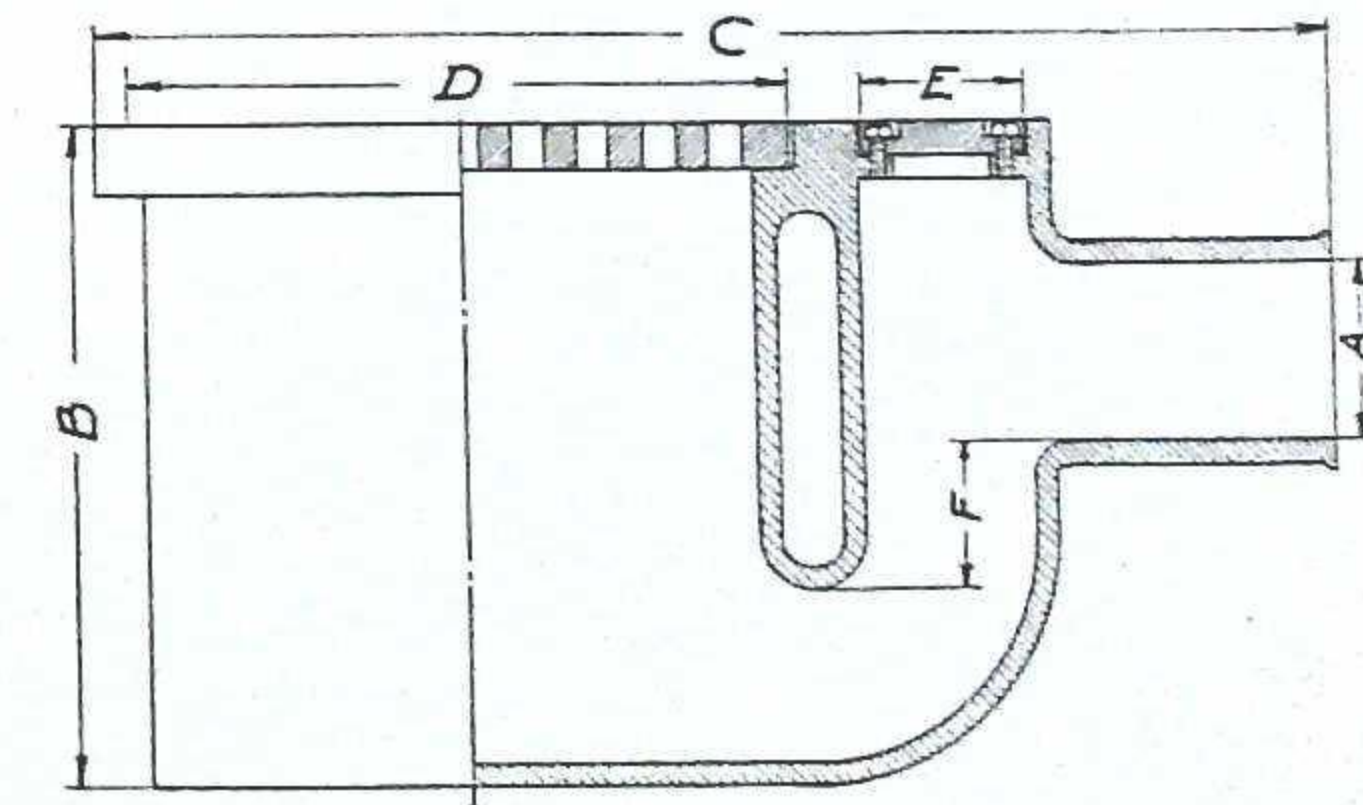
FLOOR DRAIN WITH OUTSIDE SEAL AND CLEANOUT

SERIES W-1930

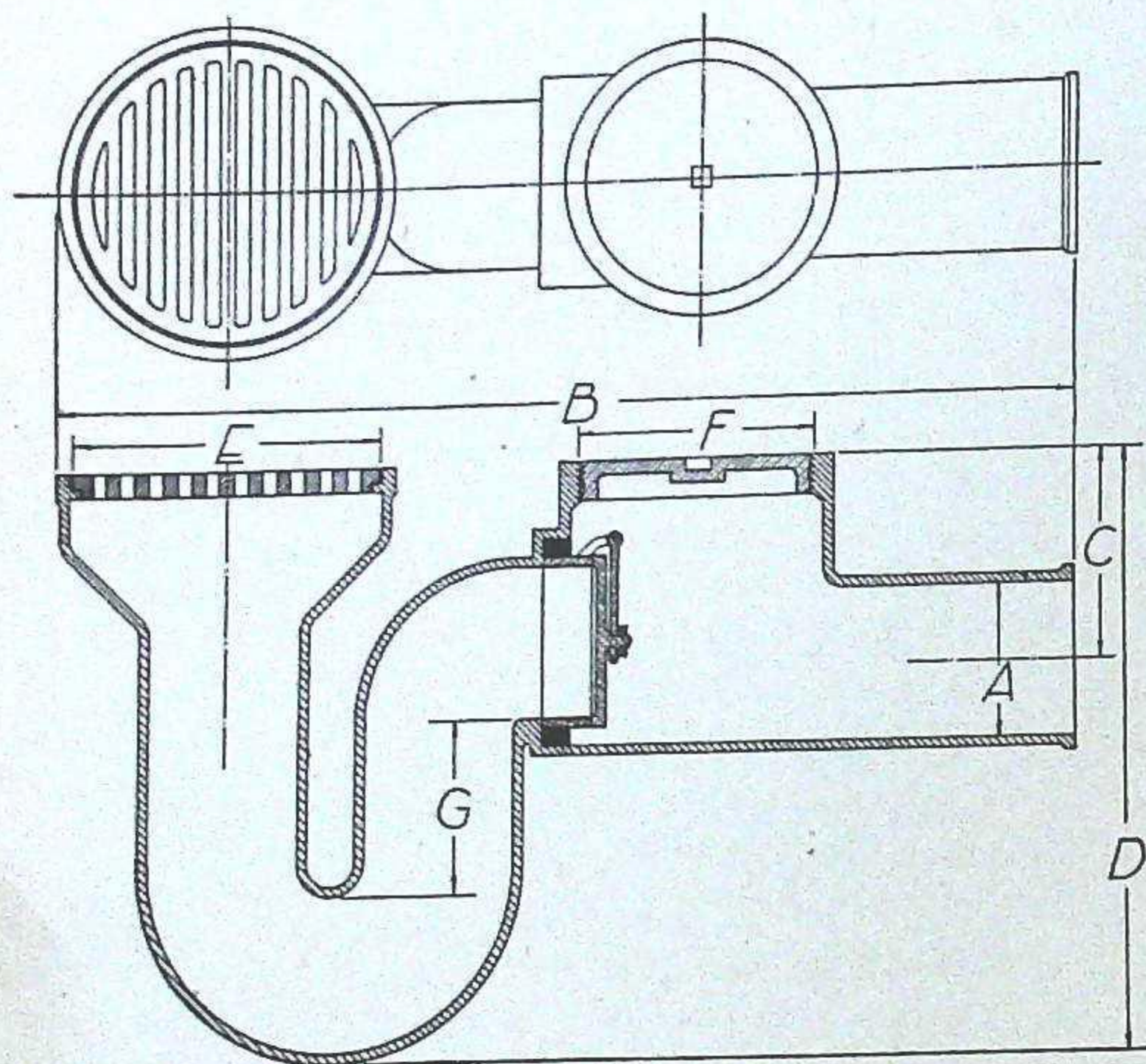
- RECOMMENDED USES:**
- (1) Floors in public and private garages; yards, areas, etc., where combined drain and trap is indicated.
- STANDARD CONSTRUCTION:**
- (1) Cast iron round body and grate.
 - (2) Bolted gas-tight removable cleanout cover.
 - (3) Spigot outlet for soil pipe.
- SPECIAL CONSTRUCTION:**
- (1) Removable bucket furnished at added cost.
 - (2) Brass tops furnished at added cost.
 - (3) Vent opening furnished when so required. Size and location optional.

SPECIFICATIONS AND LIST PRICES

No.	Dimensions					Wt.	Black	Add for Bucket
	A	B	C	D	E			
W-1931	2	12	18	11 1/2	4	90	\$27.50	\$10.00
W-1932	3	14	23	14 1/2	6	150	40.00	14.00
W-1933	4	17	25	14 1/2	6	175	47.50	15.00



**EXTRA HEAVY COMBINED FLOOR DRAIN WITH TRAP,
THREADED BRASS CLEANOUT AND BACKWATER VALVE
SERIES W-2030**



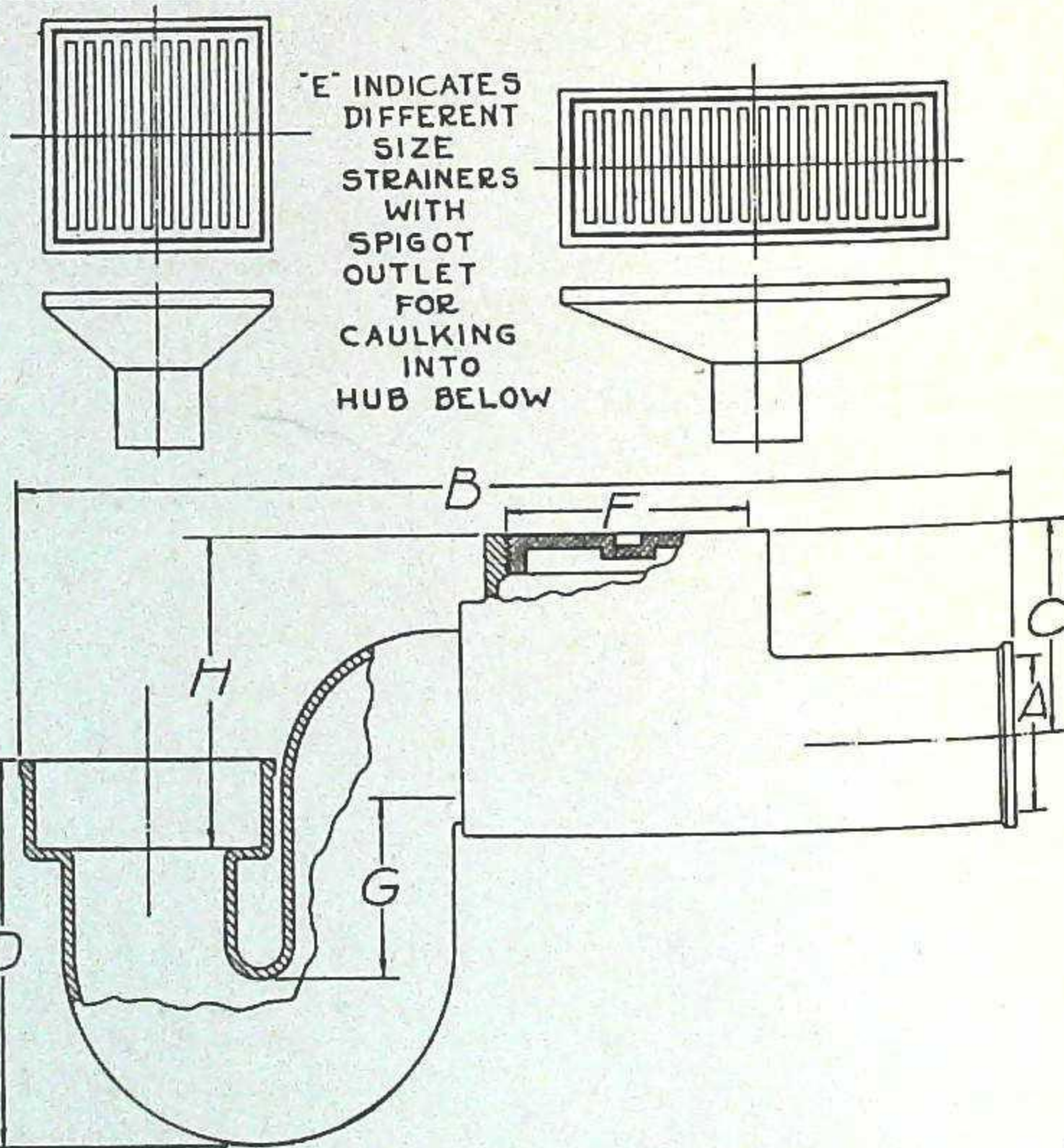
- **RECOMMENDED USES:**
 - (1) Floor construction in boiler rooms, basements, tunnels, industrial plants, schools, etc., where backwater is a hazard.
 - (2) Wherever heavy combined drain with deep seal trap, threaded floor level cleanout and valve is required.
- **STANDARD CONSTRUCTION:**
 - (1) Heavy cast iron body with trap and threaded brass cleanout.
 - (2) "Free-Seat" revolving disc type valve cast of extra heavy high grade bronze.
- **SPECIAL CONSTRUCTION:**
 - (1) All polished brass top with hinged brass grate at added cost.
 - (2) See table below for other variations.
- **FEATURES:**
 - (1) Quick access to sewer in case of stoppage.
 - (2) Positive protection against flood.
 - (3) Replaceable valve.
 - (4) Extreme accessibility.

SPECIFICATIONS AND LIST PRICES

No.	Dimensions							Wt.	Cast Iron		With Brass Top		Add for		
	A	B	C	D	E	F	G		Black	Galv.	Black	Galv.	All Brass	White Metal Top	Chrome Plated Top
W-2032	2	2 1/2	5	12	8	4	4	45	\$16.50	\$24.50	\$25.25	\$33.25	\$38.00	\$7.10	\$2.35
W-2033	3	2 3/4	6	14 1/2	8	5	4	55	22.50	33.75	32.50	43.75	57.50	7.10	2.35
W-2034	4	27	5 1/2	15 1/2	8	6	4 1/2	65	31.00	46.50	42.50	58.00	85.00	7.10	2.35
W-2036	6	34 1/4	6 3/4	19 3/4	11	8	4 1/2	115	45.00	67.50	60.00	82.00	116.00	10.50	4.75
Grate, 8" Diameter Only									2.00	3.00	4.70	4.70	4.70		
Hinged Grate, 8" Diameter Only									3.25	4.85	5.90	5.90	5.90		
Deduct for 2" Valve									4.75	4.75	4.75	4.75	4.75		
Deduct for 3" Valve									7.00	7.00	7.00	7.00	7.00		
Deduct for 4" Valve									9.25	9.25	9.25	9.25	9.25		
Deduct for 6" Valve									11.75	11.75	11.75	11.75	11.75		

**EXTRA HEAVY FLOOR DRAIN
WITH TRAP AND CLEANOUT
SERIES W-2050**

- **RECOMMENDED USES:**
 - (1) Floor construction requiring combined drain, trap, cleanout and backwater valve to prevent sewage back-up.
- **STANDARD CONSTRUCTION:**
 - (1) Heavy cast iron body; threaded brass cleanout plug; bronze "Free-Seat" backwater valve.
- **FEATURES:**
 - (1) Only drain of this type permitting strainer variations to meet all finished floor conditions.

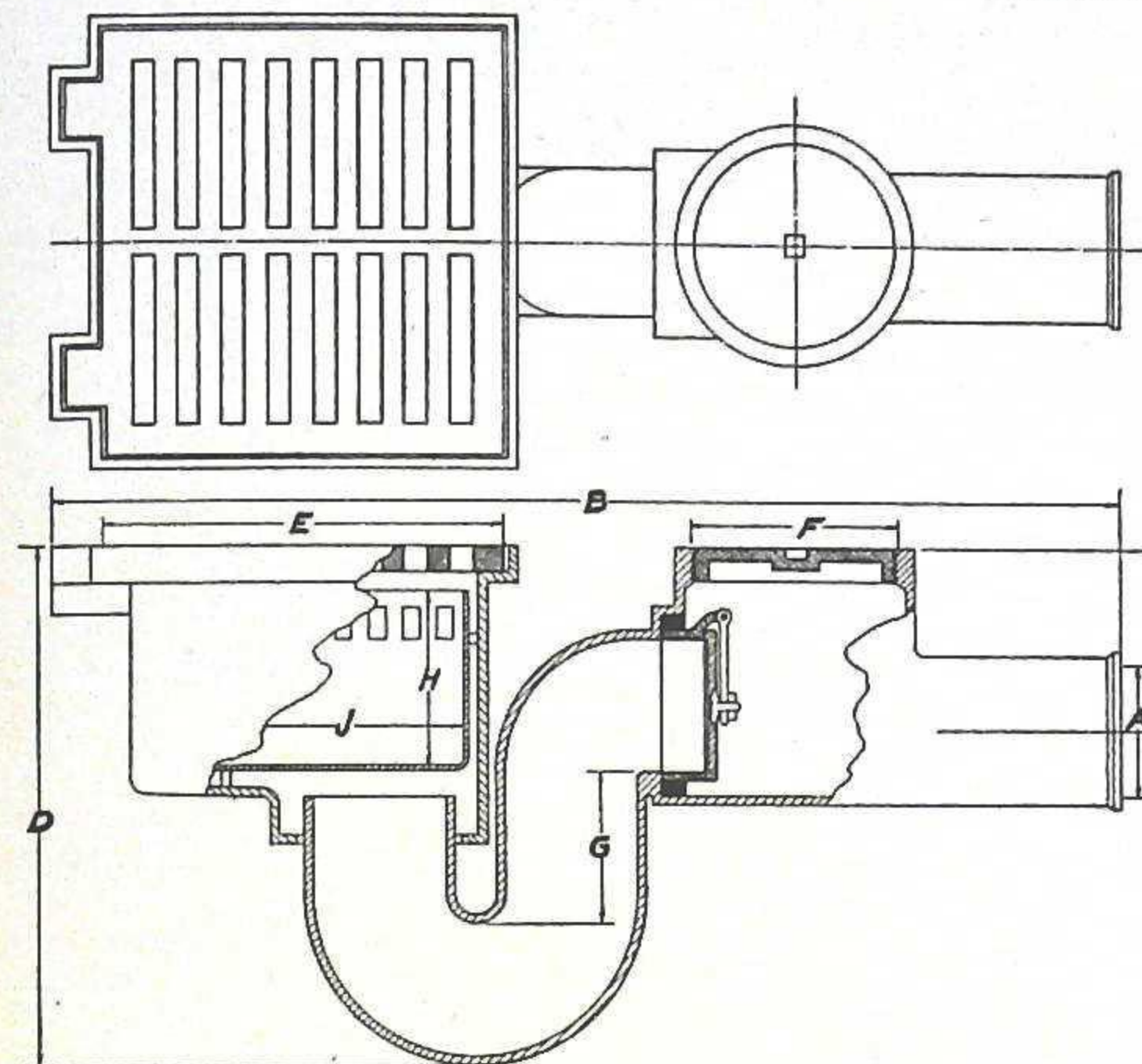


SPECIFICATIONS AND LIST PRICES

No.	Dimensions							Wt.	Cast Iron		With Brass Tops	
	A	B	C	D	E	F	G		Black	Galv.	Black	Galv.
W-2052	2	20 1/2	5	7	6x6	4	4	50	\$21.25	\$32.00	\$29.50	\$40.00
W-2053	3	22 1/4	6	8	8x8	5	4	60	27.00	41.00	36.00	50.00
W-2054	4	26	5 1/2	10	12x12	6	4 1/2	70	36.50	55.00	46.50	65.00
W-2056	6	32 1/4	6 3/4	13	18x9	8	4 1/2	120	51.00	77.00	63.00	89.00
Strainer Only, 6 x 6 x 2									7.00	10.50	12.25	15.75
Strainer Only, 8 x 8 x 3									8.25	12.50	14.50	18.75
Strainer Only, 12 x 12 x 4									9.50	14.25	16.75	21.40
Strainer Only, 18 x 9 x 6									11.75	17.50	20.50	26.00

WADE MANUFACTURING CO.

**EXTRA HEAVY COMBINED FLOOR DRAIN WITH TRAP,
BRASS CLEANOUT, SEDIMENT BUCKET AND BACKWATER VALVE
SERIES W-2080**



- **RECOMMENDED USES:**
 - (1) All industrial purposes requiring a drain of large area with bucket to intercept debris in waste water, and where backwater is a hazard.
 - (2) Conditions requiring drain with integral deep seal trap and cleanout.
- **STANDARD CONSTRUCTION:**
 - (1) Trap unit consists of heavy cast iron body, threaded brass cleanout, and bronze "free-seat" backwater valve.
 - (2) Drain unit is of heavy cast iron with replaceable extra heavy hinged grate and cast iron removable dirt box.
- **SPECIAL CONSTRUCTION:**
 - (1) Locking type grate with brass lock when required.
 - (2) See table below for other variations.
- **Made for heaviest service.**

SPECIFICATIONS AND LIST PRICES

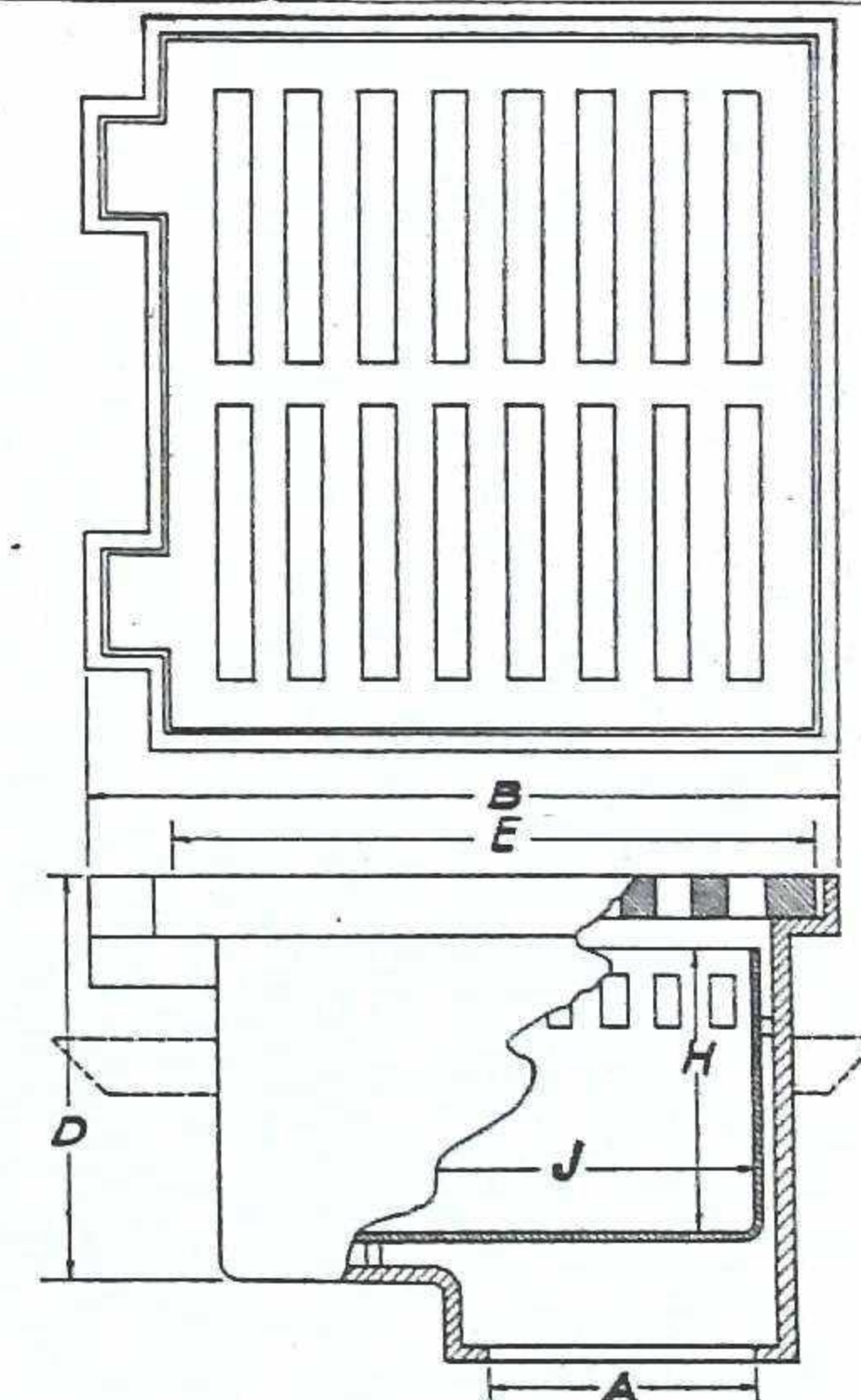
No.	Dimensions										Wt.	Cast Iron		With Brass Tops		All Brass	White Metal Top	Chrome Plated Top
	A	B	C	D	E	F	G	H	J	Black		Galv.	Black	Galv.				
W-2082	2	28	12	5	12 x 12	4	4	5 1/4	10 1/4	95	\$38.00	\$57.00	\$56.50	\$75.50	\$105.00	\$70.00	\$62.50	
W-2083	3	30	14 1/2	6	12 x 12	5	4	5 1/4	10 1/4	110	41.00	61.50	59.50	80.00	113.50	75.00	67.00	
W-2084	4	33 1/2	15 1/2	5 1/2	12 x 12	6	5	5 1/4	10 1/4	120	45.00	67.50	63.50	86.00	127.50	80.00	71.50	
W-2086	6	39 1/4	19 1/4	5 3/4	12 x 12	8	5	5 1/4	10 1/4	140	82.00	96.50	100.00	118.50	165.00	111.00	106.00	
Locking Type Grate											6.50	9.70	16.00	16.00	16.00			
Hinged Grate											4.70	7.00	13.50	13.50	13.50			
Bucket											6.50	9.70	6.50	9.70	17.50			
Deduct for 2" Valve											4.50	4.50	4.50	4.50	4.50			
Deduct for 3" Valve											7.00	7.00	7.00	7.00	7.00			
Deduct for 4" Valve											9.50	9.50	9.50	9.50	9.50			
Deduct for 6" Valve											12.00	12.00	12.00	12.00	12.00			

**HEAVY DUTY FLOOR DRAIN LESS TRAP
WITH HINGED GRATE AND REMOVABLE BUCKET
SERIES W-2090**

- **RECOMMENDED USES:**
 - (1) Floor construction in boiler rooms, garages, industrial plants, etc., to intercept debris in waste water, and for all heavy duty purposes.
- **STANDARD CONSTRUCTION:**
 - (1) Heaviest cast iron with hinged grate and removable dirt box.
 - (2) Hub outlet for soil pipe unless otherwise specified.
- **SPECIAL CONSTRUCTION:**
 - (1) Side outlet at added cost.
 - (2) Seepage flange at added cost.
 - (3) See table below for other variations.

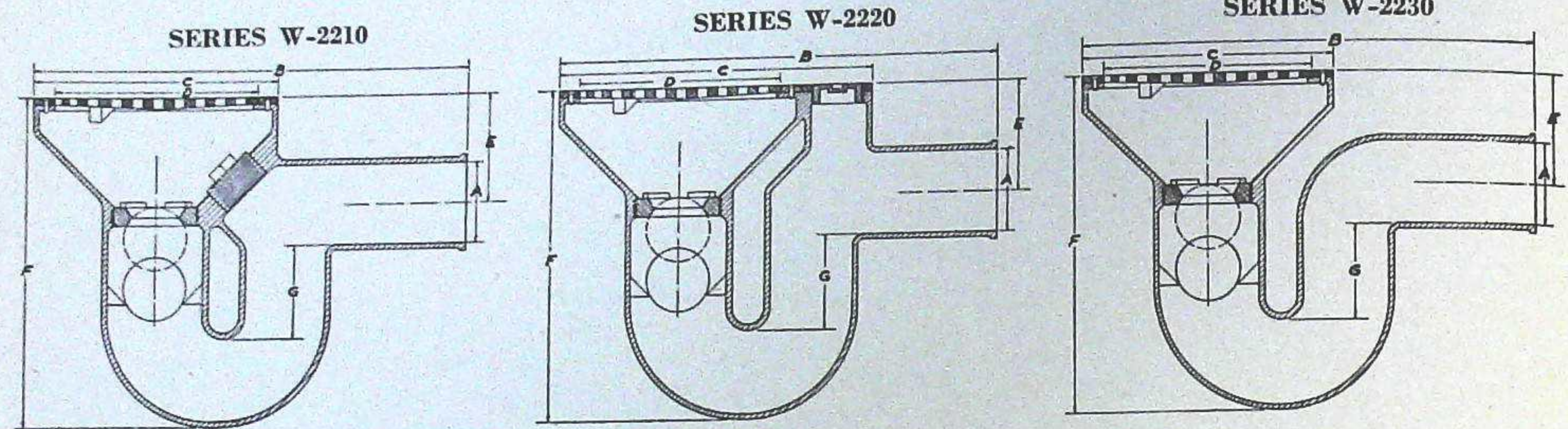
SPECIFICATIONS AND LIST PRICES

No.	Dimensions						Wt.	Cast Iron		With Brass Tops		White Metal Top	Chrome Plated Top
	A	B	D	E	H	J		Black	Galv.	Black	Galv.		
W-2092	2	13 1/4	7 3/4	12x12	5 3/4	10 1/4	75	\$22.50	\$33.50	\$35.50	\$46.50	\$46.00	\$41.00
W-2093	3	13 3/4	7 3/4	12x12	5 3/4	10 1/4	75	22.50	33.50	33.50	46.50	46.00	41.00
W-2094	4	13 3/4	7 3/4	12x12	5 3/4	10 1/4	75	22.50	33.50	35.50	46.50	46.00	41.00
W-2095	5	13 3/4	7 3/4	12x12	5 3/4	10 1/4	75	26.00	39.00	39.00	52.00	49.50	51.00
W-2096	6	13 3/4	7 3/4	12x12	5 3/4	10 1/4	75	26.00	39.00	39.00	52.00	49.50	51.00
With Side Outlet								32.00	48.00	45.00	61.00		
Hinged Grate								4.70	7.00	13.50	13.50		
Bucket								6.50	9.70	6.50	9.70		



WADE MANUFACTURING CO.

COMBINATION FLOOR DRAINS AND TRAPS

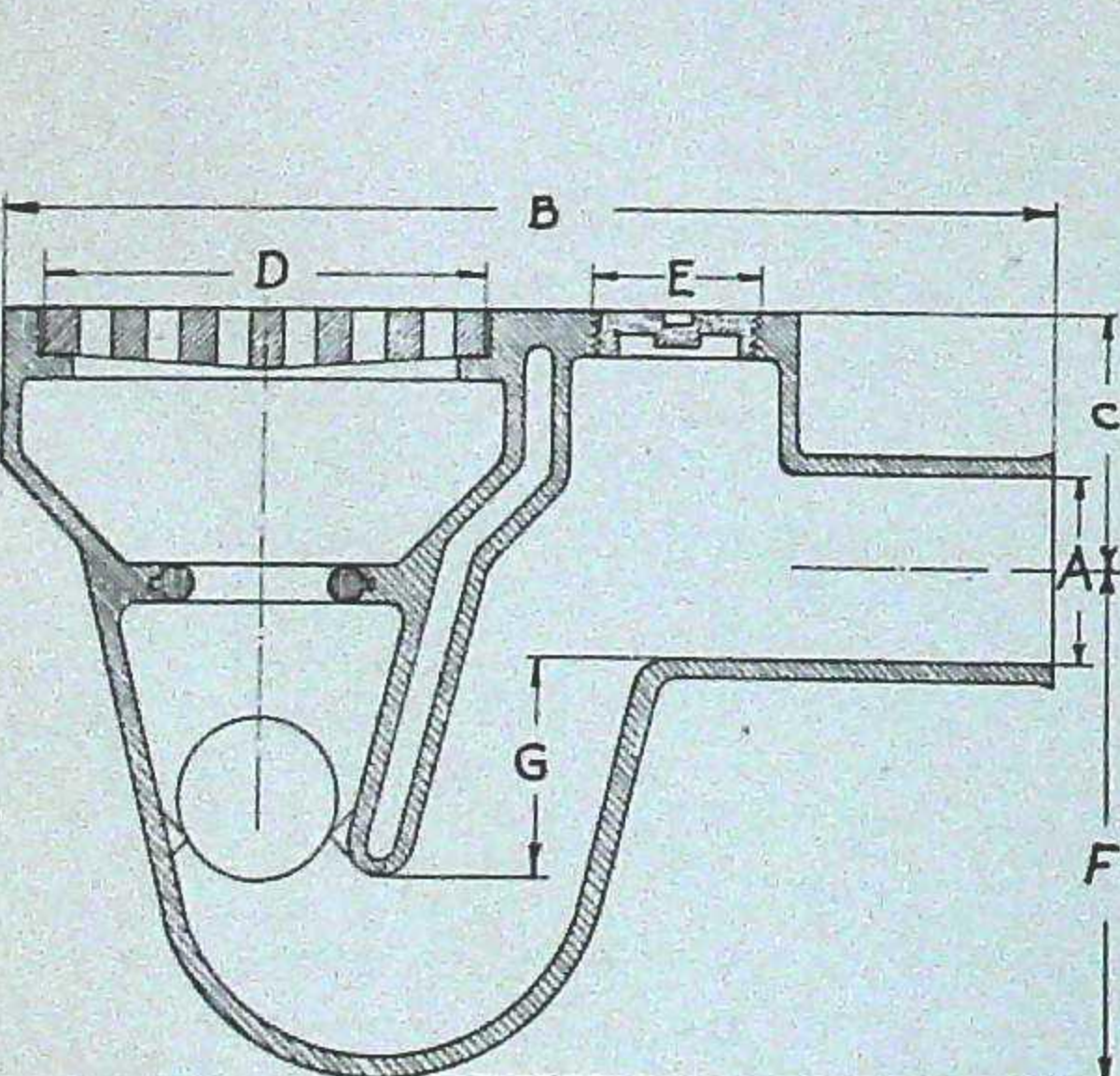


- **RECOMMENDED USES:**
 - (1) For basements and floors in construction where float type of valve is adequate for backwater protection.
 - (2) Bronze removable valve seat and copper float backwater valve.
- **STANDARD CONSTRUCTION:**
 - (1) Cast iron body with hinged cast iron grate.
- **SPECIAL CONSTRUCTION:**
 - (1) See table below for variations from above.

SPECIFICATIONS AND LIST PRICES

No.	Dimensions							Wt.	Cast Iron Complete		With Brass Top		Chrome Plated Top
	A	B	C	D	E	F	G		Black	Galv.	Black	Galv.	
W-2212	2	14½	8	7	4	11¾	4	20	\$ 6.10	\$9.15	\$12.00	\$15.25	\$14.35
W-2213	3	18	8	7	4½	13¾	4	40	12.25	18.40	18.25	24.50	20.75
W-2214	4	21½	12	11	5	15¾	4½	60	15.30	23.00	28.30	36.00	31.75
W-2222	2	14½	8	7	4	11¾	4	20	6.10	9.15	12.00	15.25	14.35
W-2223	3	18	8	7	4½	13¾	4	40	12.25	18.40	18.25	24.50	20.75
W-2224	4	21½	12	11	5	15¾	4½	60	15.30	23.00	28.30	36.00	31.75
W-2232	2	14½	8	7	4	11¾	4	20	6.10	9.15	12.00	15.25	14.35
W-2233	3	18	8	7	4½	13¾	4	40	12.25	18.40	18.25	24.50	20.75
W-2234	4	21½	12	11	5	15¾	4½	60	15.30	23.00	28.30	36.00	31.75

HEAVY DUTY COMBINED FLOOR DRAIN WITH TRAP, THREADED BRASS CLEANOUT, AND BACKWATER VALVE

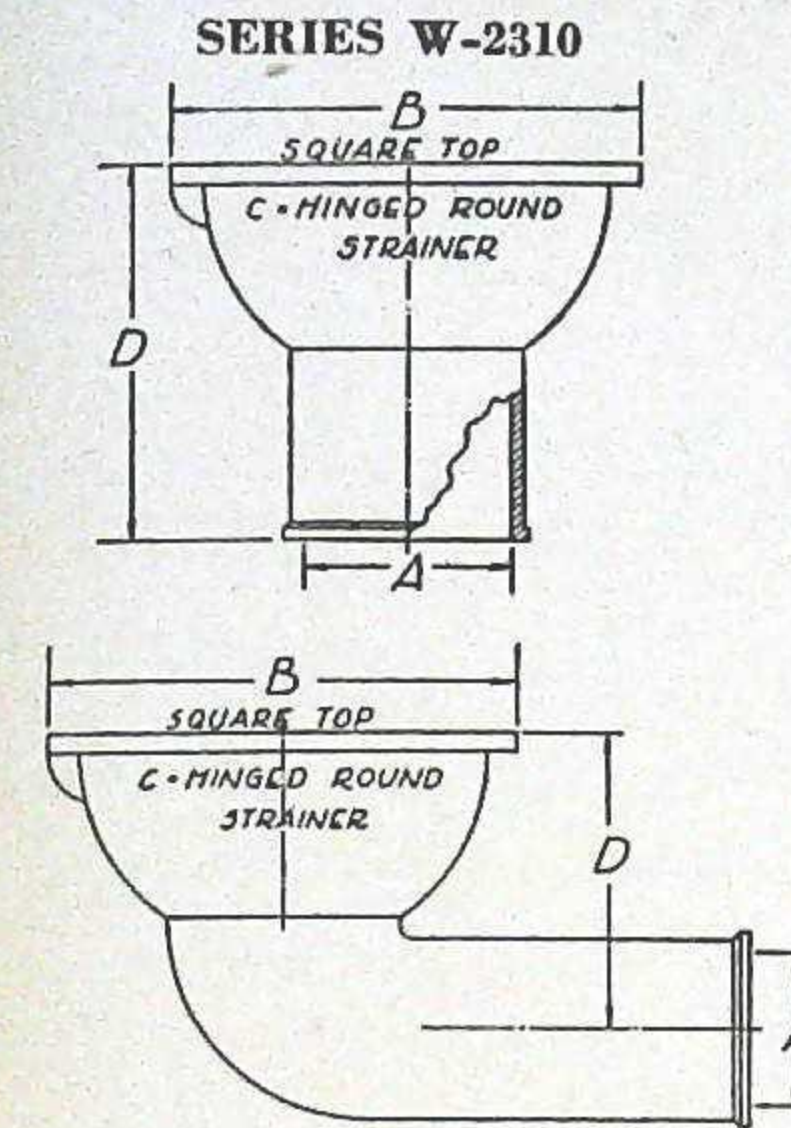


- **RECOMMENDED USES:**
 - (1) All floor construction requiring extra heavy duty drain with trap and cleanout.
 - (2) Especially designed for heaviest service.
- **STANDARD CONSTRUCTION:**
 - (1) Extra heavy cast iron body and grate.
 - (2) Brass cleanout plug.
 - (3) Rubber valve seat with copper or glass float.
- **SPECIAL CONSTRUCTION:**
 - (1) Seepage flange with clamping device at added cost.
 - (2) Locking type grate when required.
- Extra heavy construction provided for all possible loads.

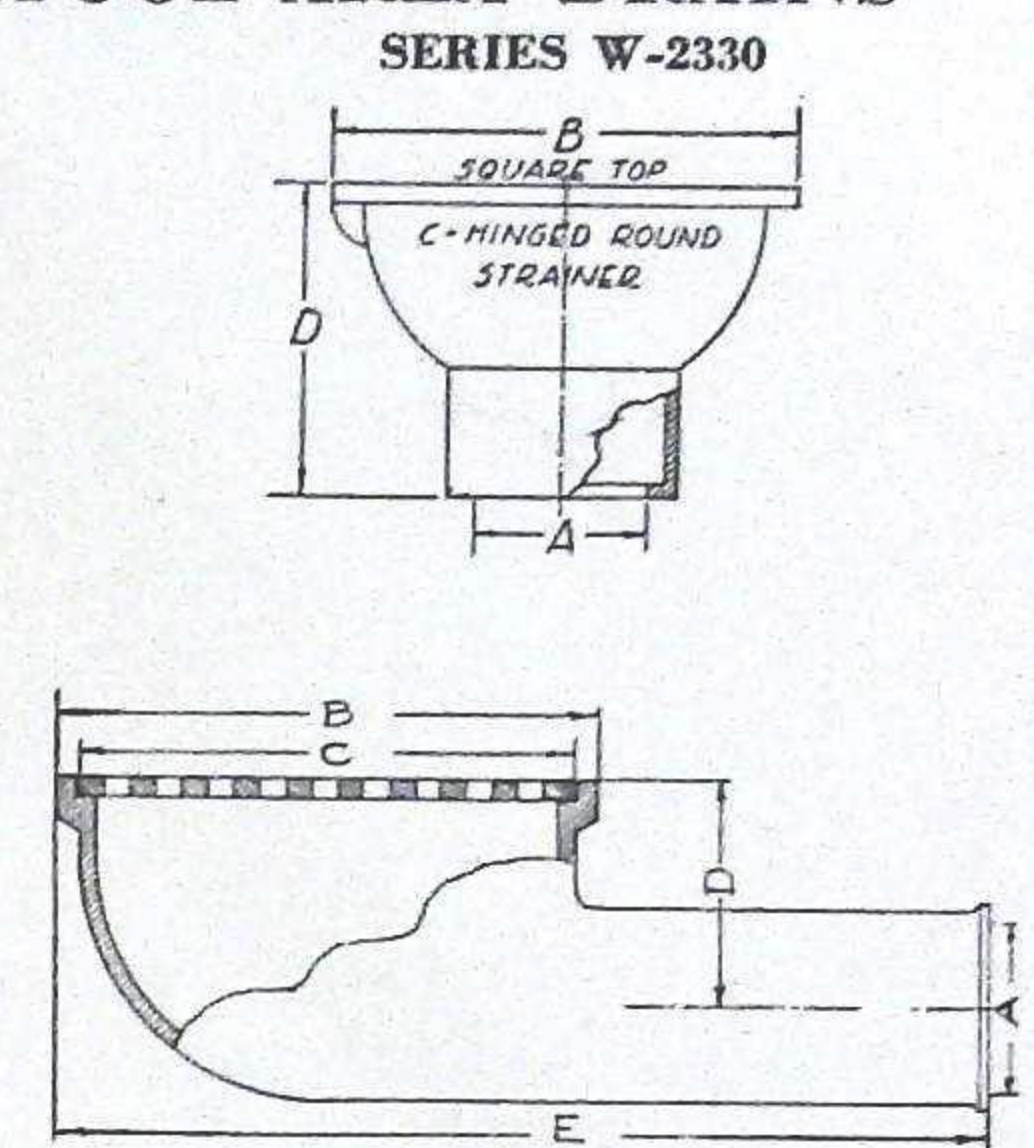
SPECIFICATIONS AND LIST PRICES

No.	Dimensions							Wt.	Cast Iron	
	A	B	C	D	E	F	G		Black	Galv.
W-2252	2	18½	4	8½	2	9	3	60	\$14.75	\$22.00
W-2253	3	22¼	5	10	3	10	4	75	26.50	40.00
W-2254	4	24¼	5½	10	4	11	4½	100	31.50	47.50
Deduct for Backwater Valve									4.75	4.75

EXTRA HEAVY GOVERNMENT TYPE CESSPOOL AREA DRAINS



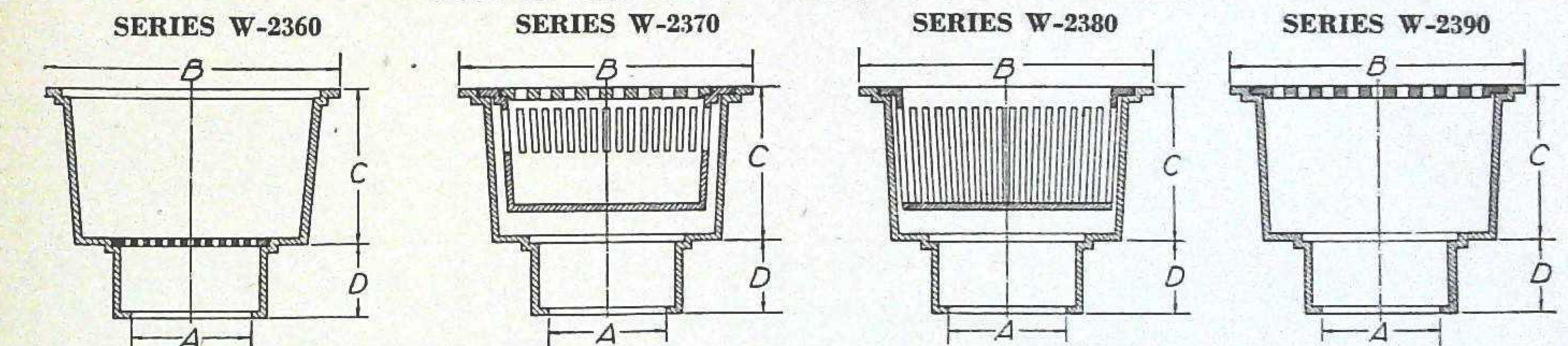
- **STANDARD CONSTRUCTION:**
 - (1) Extra heavy type without bell trap.
 - (2) Furnished with spigot or hub outlets as shown.
 - (3) Conforms to Government Specification WW-P-541, Figs. 76 and 77.
 - (4) Series W-2340 is side outlet drain, light weight, for shallow construction. Spigot outlet.
- **SPECIAL CONSTRUCTION:**
 - (1) See table below for variations from above.



SPECIFICATIONS AND LIST PRICES

No.	Dimensions				Cast Iron		With Brass Top	
	A	B	C	D	Black	Galv.	Black	Galv.
W-2312	2	6 x 6	4 7/8	4 1/4	\$1.40	\$2.80	\$4.00	\$5.40
W-2313	3 or 4	9 x 9	7 7/8	7 5/8	3.50	7.00	7.75	11.25
W-2314	4	12 x 12	10 3/4	8 5/8	6.00	12.00	16.00	22.00
W-2322	2	6 x 6	4 7/8	3 1/4	2.00	4.00	4.60	6.60
W-2323	3	9 x 9	7 7/8	5 5/8	4.10	8.20	11.20	15.30
W-2324	4	12 x 12	10 3/4	8 3/4	7.70	15.40	17.70	25.40
W-2332	2	6 x 6	4 7/8	4 1/4	1.40	2.80	4.00	5.40
W-2333	3 or 4	9 x 9	7 7/8	6 5/8	3.50	7.00	7.75	11.25
W-2334	4	12 x 12	10 3/4	8 5/8	6.00	12.00	16.00	22.00
W-2342	2	8 1/2	7 1/2	2 1/4	2.60	3.90	7.80	9.10
W-2343	3	8 1/2	7 1/2	4 1/4	6.10	9.15	13.80	16.85
W-2344	4	11 3/4	10 3/4	4 1/4	9.40	14.00	22.40	27.00

EXTRA HEAVY CESSPOOL DRAINS



- **RECOMMENDED USES:**
 - (1) For garages, hydrant cesspools, slop hoppers, etc., where inexpensive serviceable drain is needed.
 - (2) Conforms to Government Specifications for shallow pattern slop hoppers.
- **STANDARD CONSTRUCTION:**
 - (1) Heavy cast iron body, grate, and bucket or basket.
 - (2) Hub outlet for soil pipe.
 - (3) Concave strainer for laundry use supplied when required.

SPECIFICATIONS AND LIST PRICES

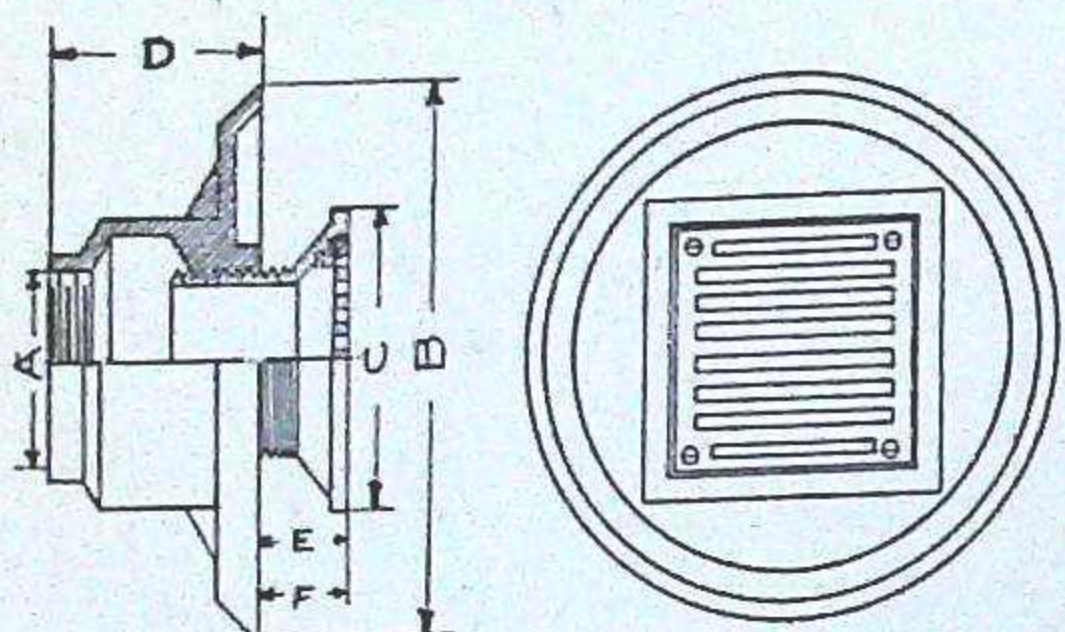
No.	Dimensions				Cast Iron	
	A	B	C	D	Black	Galv.
W-2360	2", 3" & 4"	12x12	6	3 1/4	\$5.30	\$9.00
W-2360-L	3", 4" & 6"	14x14	6	3 1/4	6.20	10.50
W-2370	2", 3" & 4"	12x12	6	3 1/4	14.10	24.00
W-2370-L	3", 4" & 6"	14x14	6	3 1/4	22.40	38.00
W-2380	2", 3" & 4"	12x12	6	3 1/4	7.25	13.20
W-2380-L	3", 4" & 6"	14x14	6	3 1/4	10.30	19.60
W-2390	2", 3" & 4"	12x12	6	3 1/4	8.25	14.00
W-2390-L	3", 4" & 6"	14x14	6	3 1/4	8.85	15.00

ADJUSTABLE BRASS INLETS FOR SWIMMING POOLS
SERIES W-2700-R

- STANDARD CONSTRUCTION:
 - (1) Cast iron body with female threaded outlet and adjustable square polished brass strainer.
 - (2) Clamping device furnished.
 - (3) See table for other variations.

SPECIFICATIONS AND LIST PRICES

No.	Dimensions						Wt.	C. I. Body Brass Strainer		All Brass	Add for White Metal Strainer
	A	B	C	D	E	F		Black	Galv.		
W-2701-R	1 1/2	9 5/8	4x4	3 3/4	2 3/4	5	8	\$9.75	\$11.65	\$16.75	\$2.10
W-2702-R	2	9 5/8	4x4	3 3/4	2 3/4	5	8	9.75	11.65	16.75	2.10
W-2705-R	2 1/2	9 5/8	6x6	3 3/4	2 3/4	5	10	14.40	17.35	22.50	3.80
W-2703-R	3	9 5/8	6x6	3 3/4	2 3/4	5	10	14.40	17.35	22.50	3.80
Deduct for Clamping Device								1.15	1.75	2.95	

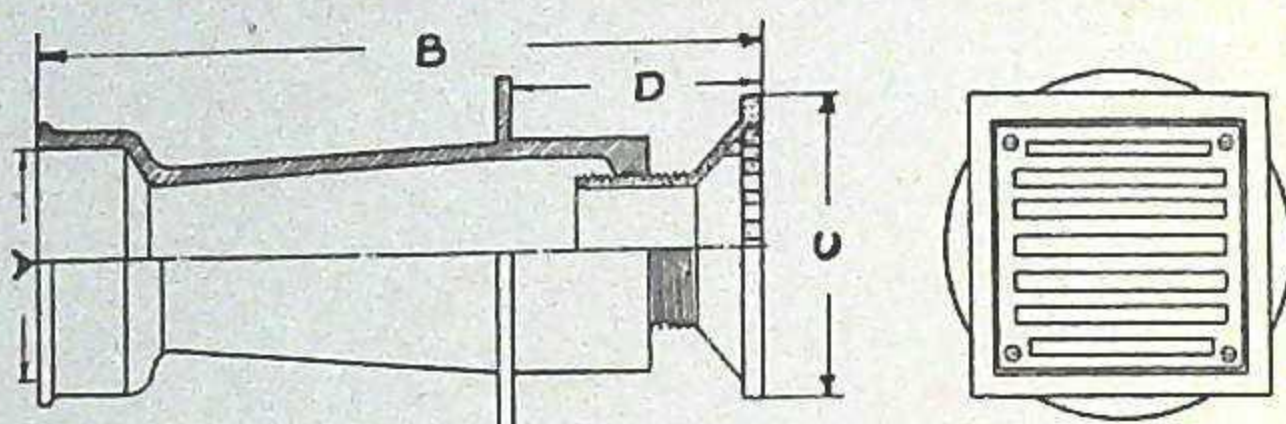


SERIES W-2700-S

- STANDARD CONSTRUCTION:
 - (1) Cast iron body with hub outlet and adjustable square polished brass strainer.
 - (2) Female threaded outlet if specified.
 - (3) See table for other variations.

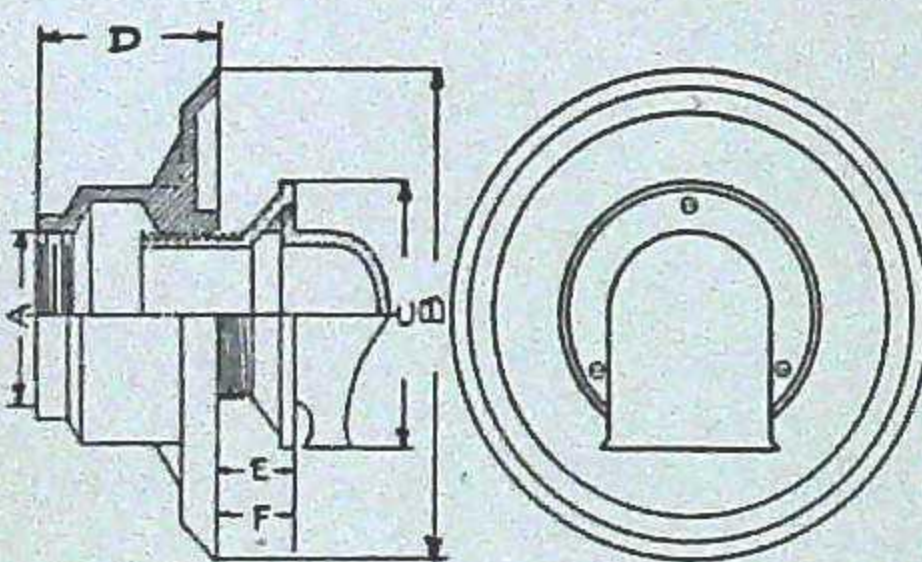
SPECIFICATIONS AND LIST PRICES

No.	Dimensions				Wt.	C. I. Body Brass Strainer		All Brass	Add for White Metal Strainer
	A	B	C	D		Black	Galv.		
W-2702-S	2	14" min.	4x4	4 1/4" min.	11	\$10.00	\$11.75	\$16.80	\$ 2.80
W-2703-S	3	14" min.	5x5	4 1/4" min.	13	13.70	15.40	23.60	2.90
W-2703-S	3	15 1/4" max.	6x6	5 1/4" max.	14	15.90	17.70	27.00	4.05
W-2704-S	4	15 1/4" max.	6x6	5 1/4" max.	16	18.80	20.50	31.00	4.05



SERIES W-2710-F

- STANDARD CONSTRUCTION:
 - (1) Cast iron body with female threaded outlet and with adjustable polished brass fan shaped inlet; nickel plated at no extra cost.
 - (2) Clamping device furnished.
 - (3) See table for other variations.



SPECIFICATIONS AND LIST PRICES

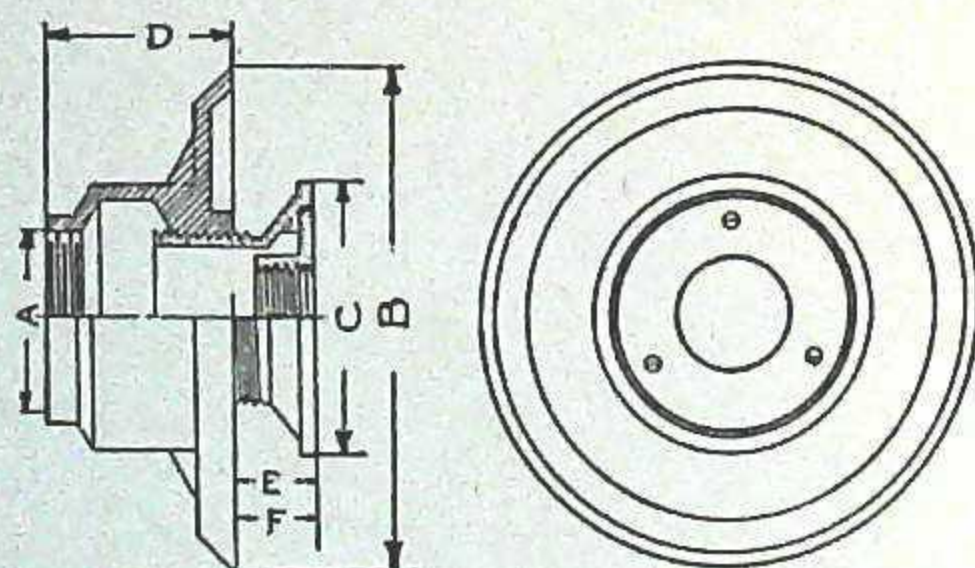
No.	Dimensions						Wt.	C. I. Body Brass Head		All Brass	Add for White Metal Head
	A	B	C	D	E	F		Black	Galv.		
W-2711-F	1 1/2	9 5/8	5	3 3/4	2 3/4	5	13	\$12.95	\$16.90	\$17.65	\$3.50
W-2712-F	2	9 5/8	5	3 3/4	2 3/4	5	13	12.95	16.90	17.65	3.50
W-2713-F	3	9 5/8	5	3 3/4	2 3/4	5	15	14.10	18.00	19.50	3.50
W-2714-F	4	10 5/8	5	3 3/4	2 3/4	5	17	15.00	19.00	21.10	3.50
Add for Clamping Device								1.15	1.75	2.95	

SERIES W-2710-V

- STANDARD CONSTRUCTION:
 - (1) Cast iron body with female threaded outlet and with adjustable polished brass head for vacuum connection with 2" iron pipe thread.
 - (2) Clamping device furnished.
 - (3) See table for other variations.

SPECIFICATIONS AND LIST PRICES

No.	Dimensions						Wt.	C. I. Body Brass Inlet		All Brass	Add for White Metal Inlet
	A	B	C	D	E	F		Black	Galv.		
W-2711-V	1 1/2	9 5/8	5	3 3/4	2 3/4	5	13	\$12.35	\$16.30	\$17.00	\$3.25
W-2712-V	2	9 5/8	5	3 3/4	2 3/4	5	13	12.35	16.30	17.00	3.25
W-2713-V	3	9 5/8	5	3 3/4	2 3/4	5	15	13.50	15.40	18.90	3.25
W-2714-V	4	10 5/8	5	3 3/4	2 3/4	5	17	14.40	18.40	20.50	3.25
Add for Clamping Device								1.15	1.75	2.95	
Add for Brass Vacuum Plug								1.15	1.15	1.15	

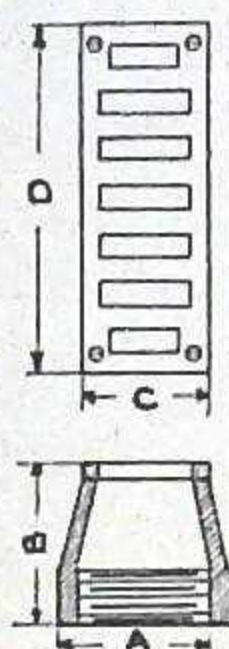


SWIMMING POOL SCUM GUTTER DRAINS
SERIES W-2740-S

- STANDARD CONSTRUCTION:
 - (1) Cast brass body with polished brass strainer and with female threaded outlet.
 - (2) See table for other variations.

SPECIFICATIONS AND LIST PRICES

No.	Dimensions				Wt.	All Brass	Add for	
	A	B	C	D			White Metal Top	Chrome Plate
W-2741-S	1 1/2	2 1/2	2 1/4	3 3/4	2	\$5.30	\$1.75	\$0.70
W-2742-S	2	2 1/2	2 1/4	3 3/4	2	5.30	1.75	.70
W-2745-S	2 1/2	2 1/2	2 1/2	5 1/2	3	8.25	3.25	1.75
W-2743-S	3	2 1/2	2 1/2	5 1/2	4	8.25	3.25	1.75

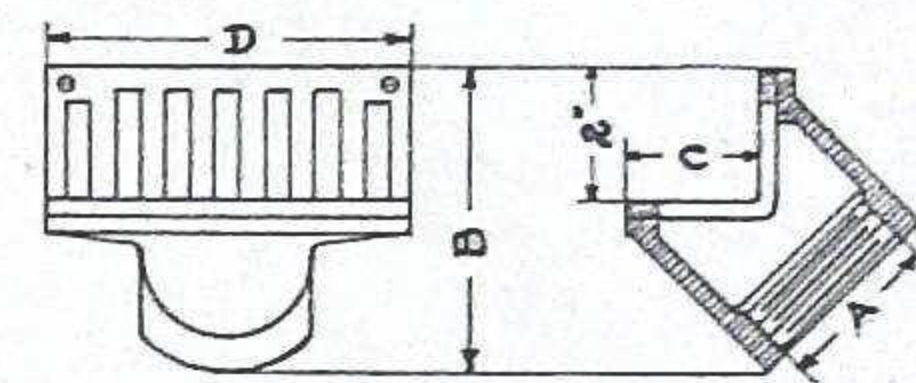


SERIES W-2740-T

- STANDARD CONSTRUCTION:
 - (1) Cast brass body with polished brass angle type strainer (for vertical drainage) and with female threaded outlet.
 - (2) See table for other variations.

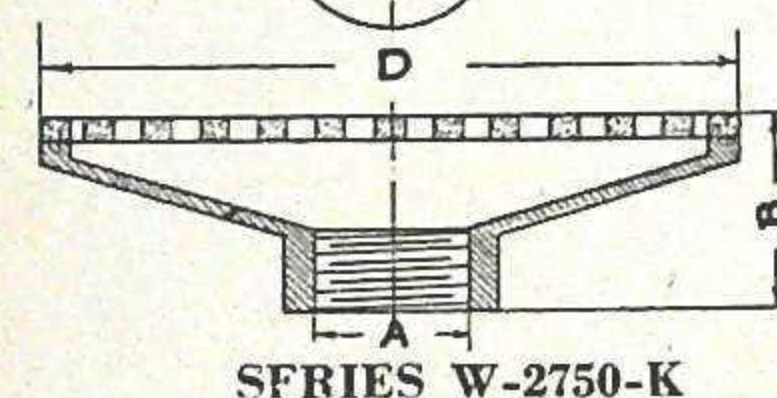
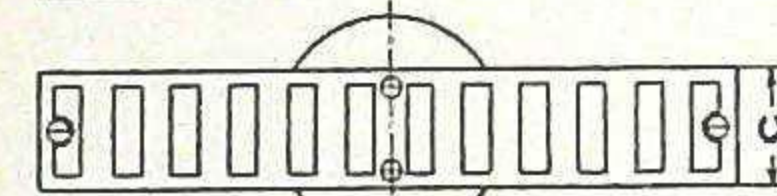
SPECIFICATIONS AND LIST PRICES

No.	Dimensions				Wt.	All Brass	Add for	
	A	B	C	D			White Metal Top	Chrome Plate
W-2741-T	1 1/2	4 1/2	2	5 1/2	3	\$7.60	\$3.25	\$1.75
W-2742-T	2	4 1/2	2	5 1/2	3	7.60	3.25	1.75
W-2745-T	2 1/2	4 1/2	2	5 1/2	3	7.60	3.25	1.75

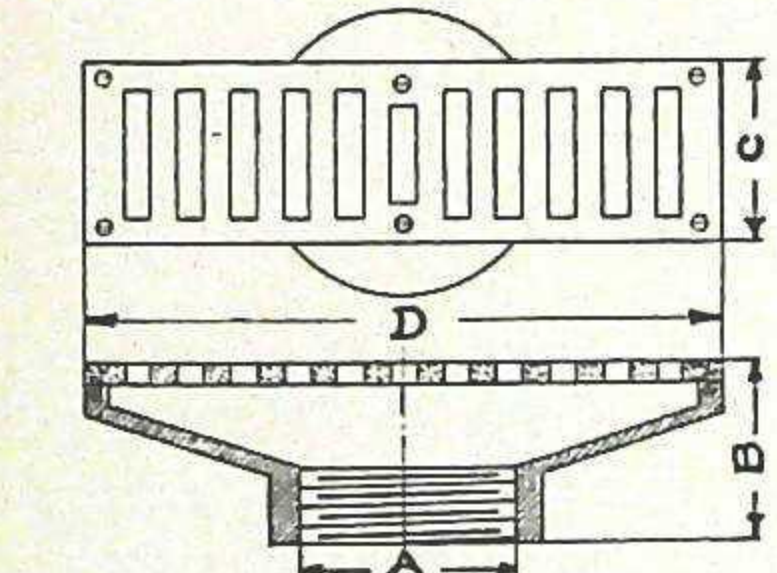


RECTANGULAR GUTTER DRAINS FOR SWIMMING POOLS

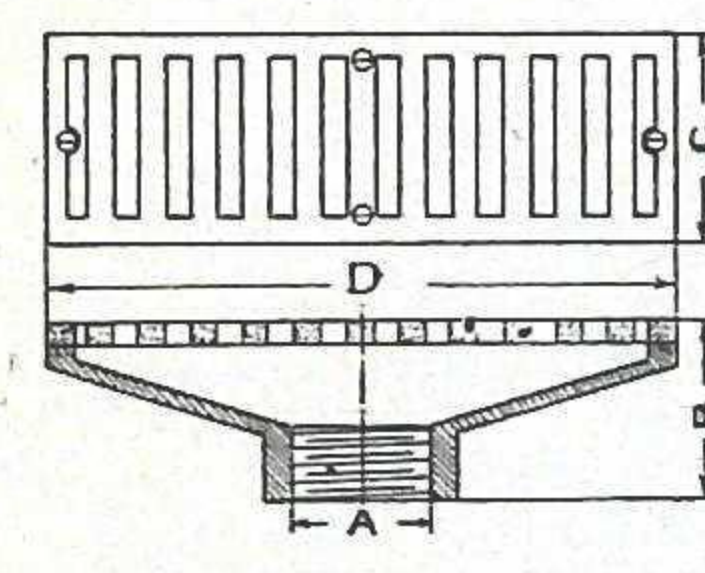
- STANDARD CONSTRUCTION:
 - (1) All types shown are furnished with either cast brass or cast iron bodies (see table) and with polished brass flat strainers.
 - (2) Size of strainer is only difference between the types illustrated.
 - (3) See table for variations in finish, style and size.



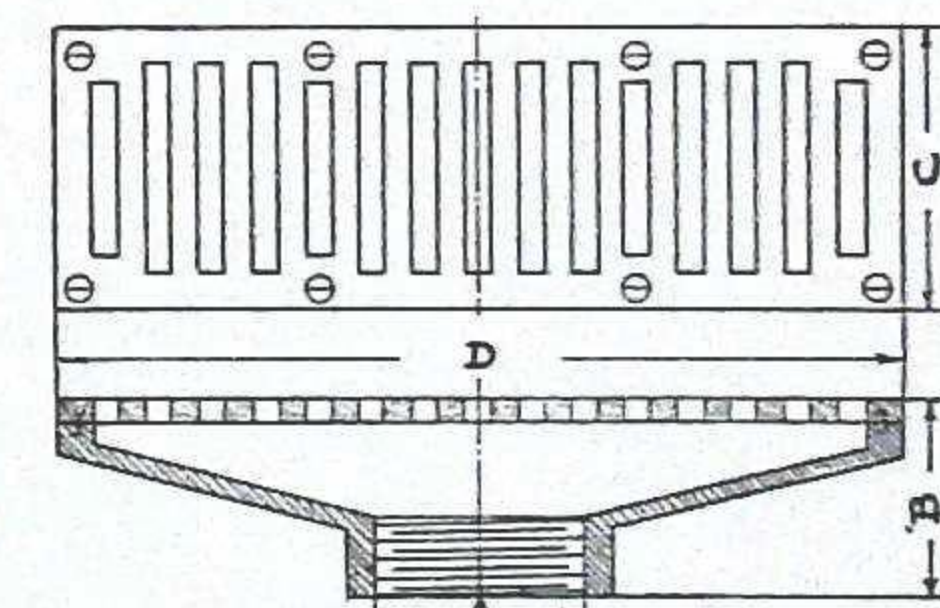
SERIES W-2750-K



SERIES W-2750-L



SERIES W-2750-M



SERIES W-2750-P

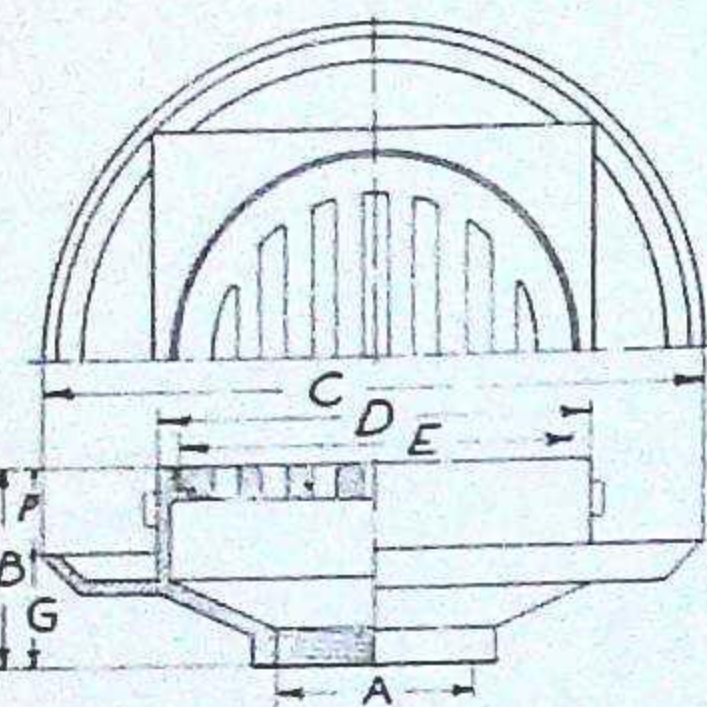
SPECIFICATIONS AND LIST PRICES

No.	Dimensions				Wt.	C. I. Body Brass Top		All Brass	Add for	
	A	B	C	D		Black	Galv.		White Metal Top	Chrome Plate
W-2751-K	1 1/2	2 1/2	1 1/2	9	3			\$8.25	\$2.35	\$1.15
W-2752-K	2	2 1/2	1 1/2	9	3			8.25	2.35	1.15
W-2751-L	1 1/2	2 1/2	2 1/2	10	4			10.00	3.25	1.15
W-2752-L	2	2 1/2	2 1/2	10	4			10.00	3.25	1.15
W-2755-L	2 1/2	2 1/2	2 1/2	10	4			10.00	3.25	1.15
W-2751-M	1 1/2	2 3/4	3	9	7	\$ 5.90	\$ 7.50	9.40	3.25	1.15
W-2752-M	2	2 3/4	3	9	7	5.90	7.50	9.40	3.25	1.15
W-2755-M	2 1/2	2 3/4	3	9	7	5.90	7.50	9.40	3.25	1.15
W-2752-P	2	2 3/4	4	12	18	8.80	11.20	17.60	4.10	1.75
W-2755-P	2 1/2	2 3/4	4	12	18	8.80	11.20	17.60	4.10	1.75
W-2753-P	3	2 3/4	4	12	18	8.80	11.20	17.60	4.10	1.75

MAIN POOL OUTLET DRAIN WITH SQUARE TOP

SERIES W-2800

- **STANDARD CONSTRUCTION:**
 - (1) Cast iron body with slotted strainer and with square top flange. Female threaded outlet unless otherwise specified.
 - (2) Weep holes are not furnished with this drain.
- **SPECIAL CONSTRUCTION:**
 - (1) Brass top and grate furnished when required.
 - (2) Clamping device furnished when specified.
 - (3) See table for other variations.



SPECIFICATIONS AND LIST PRICES

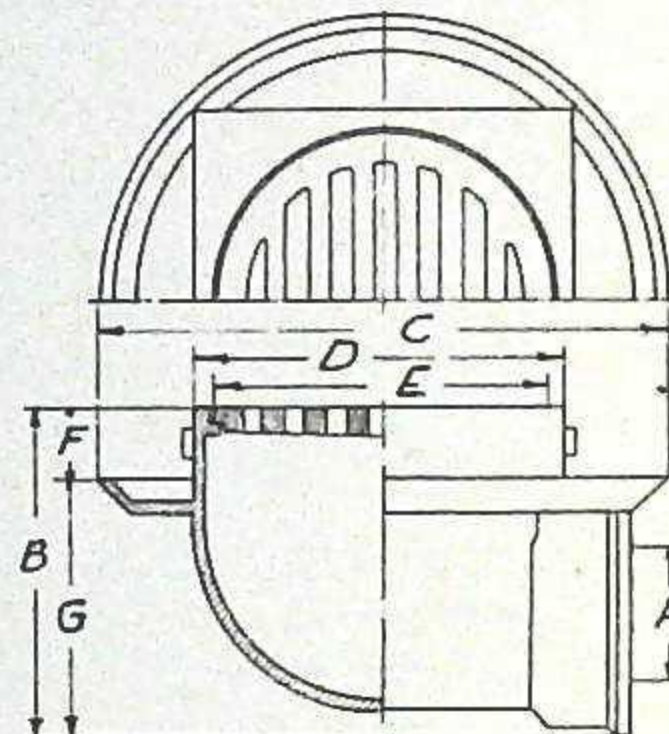
No.	Dimensions							Wt.	Cast Iron		With Brass Top		All Brass	Add for White Metal Top	Add for Chrome Plated Top
	A	B	C	D	E	F	G		Black	Galv.	Black	Galv.			
W-2803	3	4 1/4	13 3/4	9 3/4	8 1/2	2	2 1/4	30	\$8.65	\$13.00	\$16.30	\$20.60	\$23.50	\$7.40	\$2.45
W-2804	4	4 1/4	13 3/4	9 3/4	8 1/2	2	2 1/4	30	8.65	13.00	16.30	20.60	23.50	7.40	2.45
W-2805	5	5	16 3/4	12 3/4	11 1/2	2	3	45	16.00	24.00	29.00	37.00	57.00	11.15	4.95
W-2806	6	5	16 3/4	12 3/4	11 1/2	2	3	45	16.00	24.00	29.00	37.00	57.00	11.15	4.95
Add for Clamping Lugs									2.35	3.00	2.35	3.00	7.00		

SERIES W-2810

No.	Dimensions							Wt.	Cast Iron		With Brass Top		All Brass	Add for White Metal Top	Add for Chrome Plated Top
	A	B	C	D	E	F	G		Black	Galv.	Black	Galv.			
W-2813	3	7 1/4	13 3/4	9 3/4	8 1/2	2	5 1/4	35	14.80	22.00	22.25	29.50	47.00	7.40	2.45
W-2814	4	8 1/4	13 3/4	9 3/4	8 1/2	2	6 1/4	35	14.80	22.00	22.25	29.50	47.00	7.40	2.45
W-2815	5	10 1/4	16 3/4	12 3/4	11 1/2	2	7 1/4	55	27.20	40.75	41.00	54.25	65.50	11.15	4.95
W-2816	6	10 1/4	16 3/4	12 3/4	11 1/2	2	8 1/4	55	27.20	40.75	41.00	54.25	65.50	11.15	4.95
Add for Clamping Lugs									2.35	3.00	2.35	3.00	7.00		

MAIN POOL OUTLET DRAIN WITH SIDE OUTLET
SERIES W-2810

- **STANDARD CONSTRUCTION:**
 - (1) Cast iron body and grate; square top flange. Hub outlet furnished unless otherwise specified.
 - (2) Weep holes not furnished with this drain.
- **SPECIAL CONSTRUCTION:**
 - (1) Brass top and grate furnished when specified.
 - (2) Clamping device furnished at added cost.
 - (3) See table above for other variations.



MAIN POOL OUTLET DRAIN
SERIES W-2830

- **RECOMMENDED USES:**
 - (1) Swimming pool construction requiring a side outlet drain with large water area.
- **STANDARD CONSTRUCTION:**
 - (1) Cast iron body and grate. Hub outlet for soil pipe.
- **SPECIAL CONSTRUCTION:**
 - (1) All brass top and grate, polished or nickel plated, at added cost.
 - (2) See table for other variations.

SPECIFICATIONS AND LIST PRICES

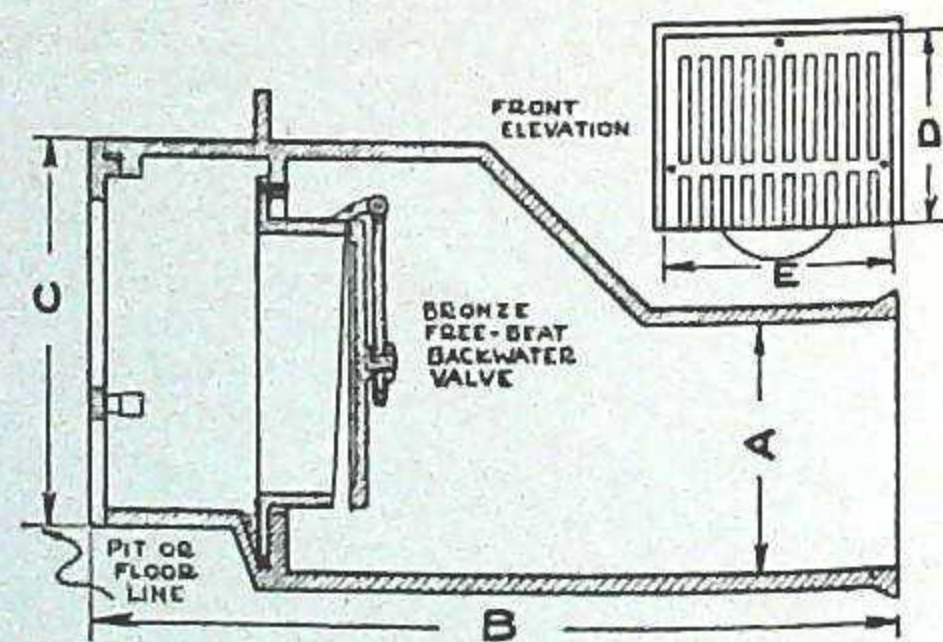
No.	Dimensions						Wt.	Cast Iron		With Brass Top		All Brass	White Metal Top
	A	B	C	D	E	F		Black	Galv.	Black	Galv.		
W-2834	4	18	17	12 x 12	10 1/2	14 3/4	90	\$40.00	\$51.00	\$51.00	\$61.50	\$111.00	\$61.00
W-2835	5	18	17	12 x 12	10 1/2	14 3/4	90	40.00	51.00	51.00	61.50	111.00	61.00
W-2836	6	18	17	12 x 12	10 1/2	13 3/4	90	40.00	51.00	51.00	61.50	111.00	61.00

SIDE WALL POOL OUTLET DRAIN WITH BACKWATER VALVE
SERIES W-2840

- **STANDARD CONSTRUCTION:**
 - (1) Cast iron body and removable front grate with spigot type outlet.
 - (2) Backwater valve furnished regularly. Deduct as below if not required.
- **SPECIAL CONSTRUCTION:**
 - (1) Polished brass front and grate furnished at added cost.
 - (2) Male threaded outlet furnished if required.
 - (3) See table for other variations.

SPECIFICATIONS AND LIST PRICES

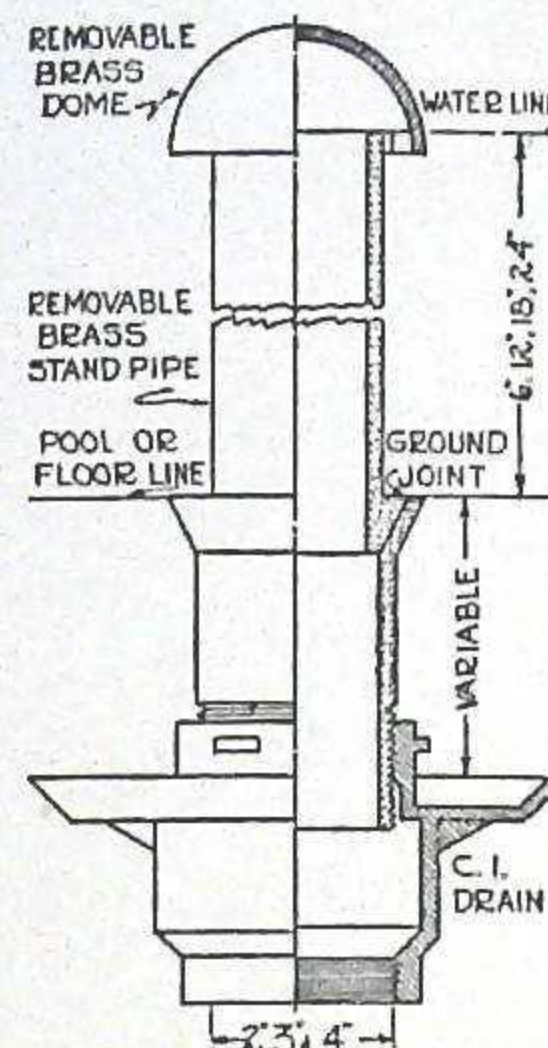
No.	Dimensions					Wt.	Cast Iron		With Brass Grate		With White Metal Grate	
	A	B	C	D	E		Black	Galv.	Black	Galv.	Black	Galv.
W-2844	4	17	7 3/4	7 3/4	9	45	\$24.60	\$31.20	\$27.00	\$33.60	\$32.00	\$38.60
W-2845	5	19	9 3/4	9 3/4	11	50	33.40	42.50	40.50	49.50	43.00	52.50
W-2846	6	19	9 3/4	9 3/4	11	55	33.40	42.50	40.50	49.50	43.00	52.50



POOL AND VAT DRAIN WITH REMOVABLE OVERFLOW CONNECTION

SERIES W-2850

- **RECOMMENDED USES:**
 - (1) Pools and vats where a certain level of water is required, and where a rapid means of draining same is necessary. Depth of water desired is variable as shown.
- **STANDARD CONSTRUCTION:**
 - (1) Removable stand-pipe, adjustable head, and removable dome, are cast of brass, either polished or nickel plated, with ground seat.
 - (2) Drain body is of cast iron, and type of drain may be as follows: W-1100, W-1120, or W-1140.



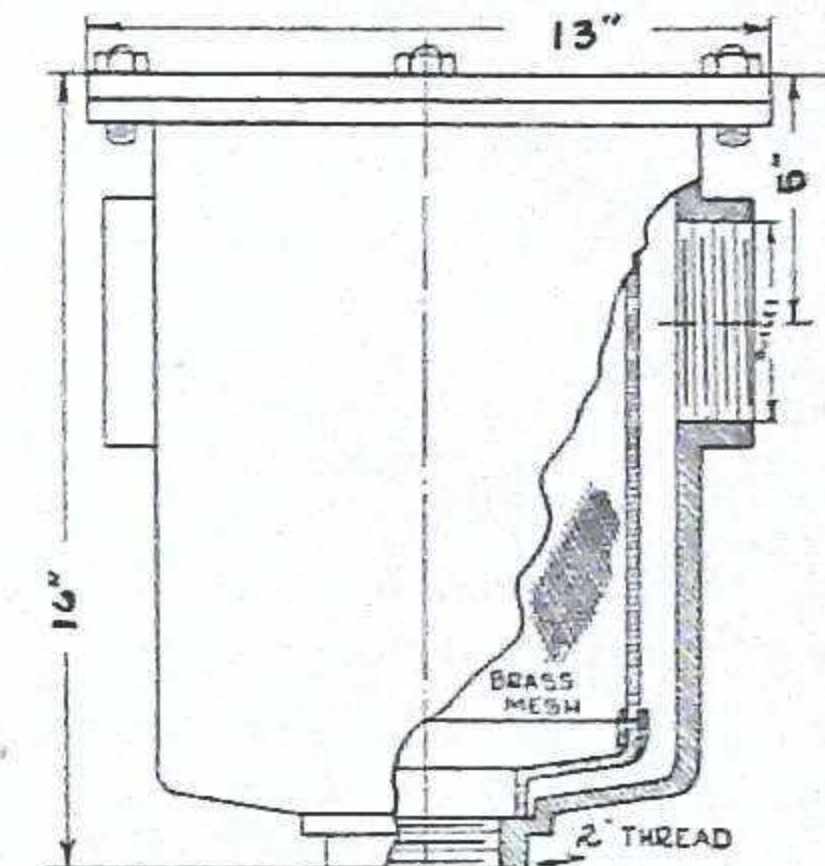
SPECIFICATIONS AND LIST PRICES

Outlet	Height of Stand Pipe	Stand Pipe Unit as Shown With			Add for Chrome Plated Unit
		W-1100	W-1120	W-1140	
2	6	\$15.00	\$21.50	\$21.50	\$3.40
2	12	17.20	23.70	23.70	4.00
2	18	19.30	25.60	25.60	6.35
2	24	21.40	28.00	28.00	8.70
3	6	19.00	29.50	29.50	4.00
3	12	23.20	33.80	33.80	6.35
3	18	27.40	38.00	38.00	8.70
3	24	30.50	42.25	42.25	11.00

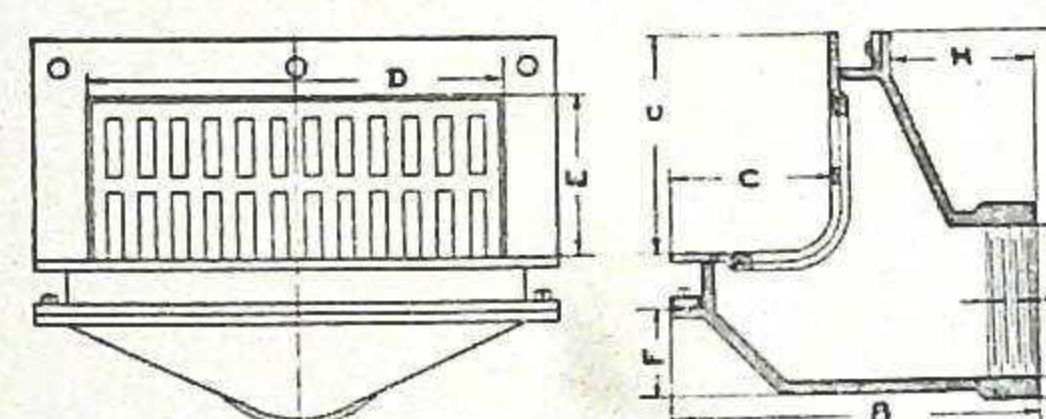
HAIR AND LINT INTERCEPTOR FOR SWIMMING POOLS

SERIES W-2860

- **RECOMMENDED USES:**
 - (1) Circulating lines on swimming pools to prevent hair, lint, etc., from entering pump and filter equipment.
 - (2) Other uses where such precautions must be taken.
- **STANDARD CONSTRUCTION:**
 - (1) Cast iron body with removable bolted cover with gasket.
 - (2) Female threaded inlet and outlet connections, with 2" iron pipe drain or blowout.
 - (3) Removable bronze mesh basket.



No.	Inlet and Outlet	Wt.	Cast Iron		Flanged Conn.	
			P't'd.	Galv.	P't'd.	Galv.
W-2862	2	98	\$86.00	\$109.00	\$120.00	\$153.00
W-2863	3	98	86.00	109.00	120.00	153.00
W-2864	4	98	89.00	113.00	125.00	158.00
W-2865	5	98	90.00	115.00	126.50	161.00
W-2866	6	98	91.00	116.00	128.00	163.50



REVERSIBLE ANGLE TYPE POOL OUTLET
SERIES W-2870

- **STANDARD CONSTRUCTION:**
 - (1) Cast iron body with removable angle type polished brass grate and with flashing clamping device.
 - (2) Female threaded outlet unless otherwise specified.
 - (3) For other variations see table.

No.	Dimensions								Wt.	Cast Iron		With Brass Top		All Brass
	A	B	C	D	E	F	G	H		Black	Galv.	Black	Galv.	
W-2872	2	8 3/4	5	8	5	2	8 1/4	2 1/2	38	\$22.00	\$28.00	\$31.40	\$37.40	\$57.00
W-2873	3	8 3/4	5	8	5	2	8 1/4	2 1/2	38	22.00	28.00	31.40	37.40	57.00
W-2874	4	8 3/4	5	8	5	2	8 1/4	2 1/2	38	22.00	28.00	31.40	37.40	57.00
W-2874-L	4	16 3/4	7	10 1/2	9	5	13 1/4	8 1/2	62	33.00	42.00	47.00	56.00	84.00
W-2875	5	16 3/4	7	10 1/2	9	5	13 1/4	8 1/2	62	33.00	42.00	47.00	56.00	84.00
W-2876	6	16 3/4	7	10 1/2	9	5	13 1/4	8 1/2	62	33.00	42.00	47.00	56.00	84.00

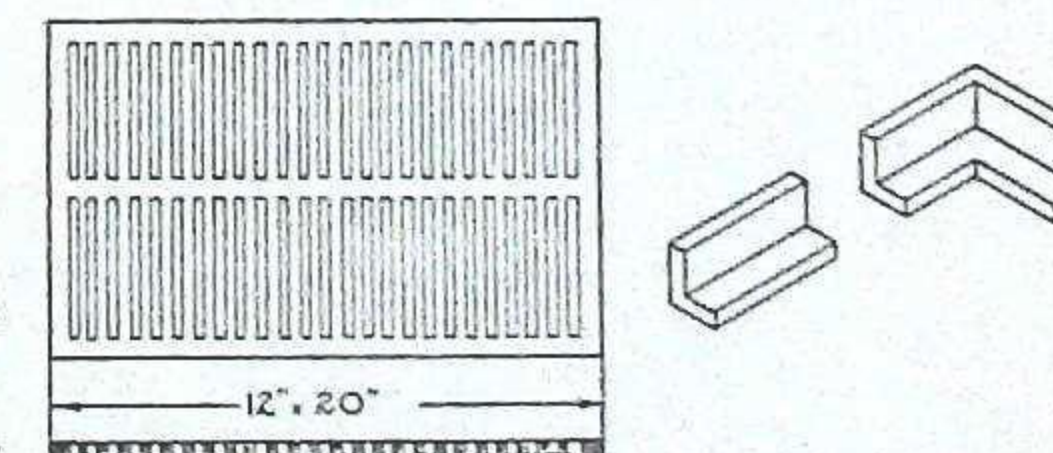
SWIMMING POOL TROUGH GRATE AND ANGLE SUPPORTS

SERIES W-2880

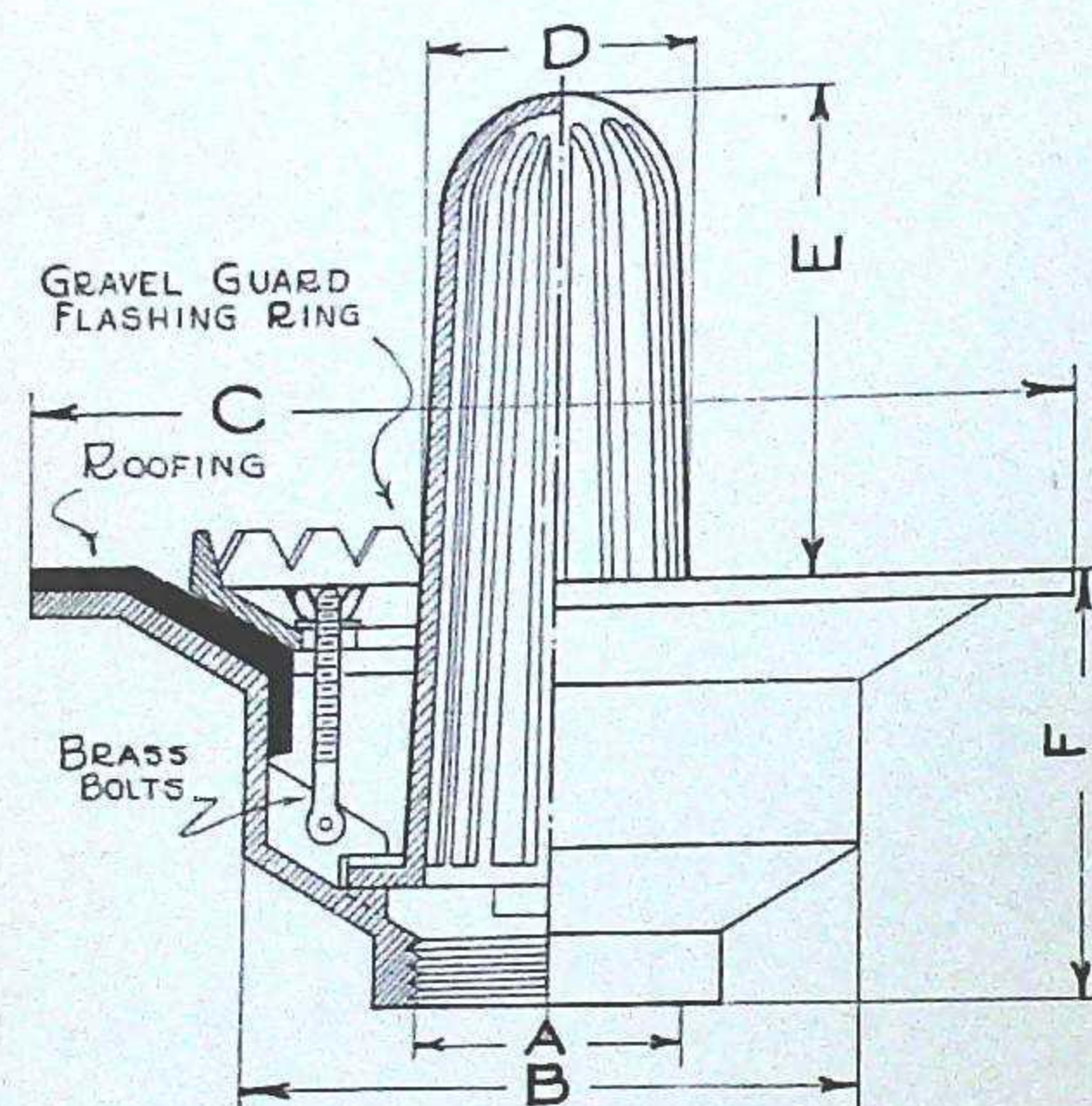
- **STANDARD CONSTRUCTION:**
 - (1) Grate is of cast iron, ribbed and reinforced; galvanized iron grate at added cost.
 - (2) See table for other variations.
- **SPECIAL CONSTRUCTION:**
 - (1) Cast brass or iron angle supports for grate can be supplied at added cost. These are made in sections of varying length to fit any trough size. Angle frames are fitted with anchors for concrete construction.
 - (2) Price of angle supports on application. Straight type is designated as W-2885, and angle type as W-2886, and the length of each may vary as required.

SPECIFICATIONS AND LIST PRICES

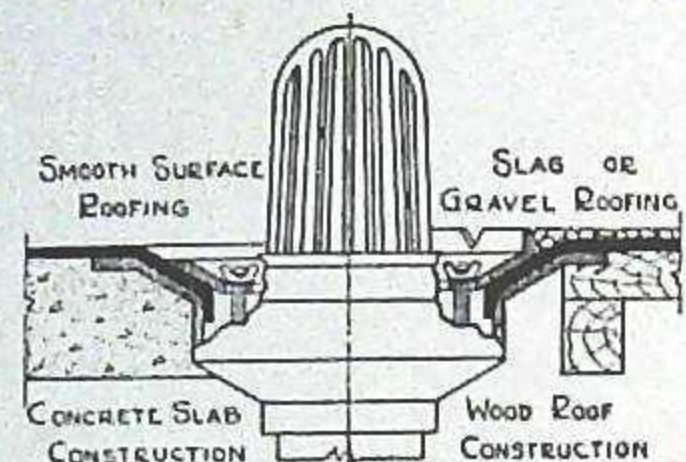
No.	Size	Wt.	Cast Iron		All Brass	White Metal
			Black	Galv.		
W-2880	12' x 20'	28	\$9.40	\$12.00	\$21.20	\$31.80
W-2885	Varies					
W-2886	Varies					



ROOF DRAIN WITH REMOVABLE LOCKING TYPE DOME STRAINER
SERIES W-3100



- **RECOMMENDED USES:**
 - (1) All types of roof deck construction including wood, concrete, precast slab, gypsum, steel, etc., wherever built-up roofing felts or other material is used.
- **STANDARD CONSTRUCTION:**
 - (1) Extra heavy cast iron body with non-tilting, locking type dome strainer, heavy flashing ring with picket type gravel stop.
 - (2) Brass toggle bolts permit quickest and easiest installation.
 - (3) Female threaded outlet. Hub outlet optional for inside caulking.
- **SPECIAL CONSTRUCTION:**
 - (1) For Expansion Joint see page 34.
 - (2) For other variations see following pages.
- **FEATURES:**
 - (1) Design of dome strainer eliminates possibility of water freezing in body of drain.
 - (2) Metal flashings unnecessary with this drain.
 - (3) Conforms to Government Specifications.



SPECIFICATIONS AND LIST PRICES

No.	Dimensions							Wt.	Cast Iron		With Brass Dome		All Brass
	A	B	B ¹	C	D	E	F*		Black	Galv.	Black	Galv.	
W-3102	2	10		16 3/4	6	7 1/2	5 3/4	35	\$18.80	\$28.00	\$24.65	\$33.35	\$47.00
W-3103	3	10		16 3/4	6	7 1/2	5 3/4	35	18.80	28.00	24.65	33.35	47.00
W-3104	4	10		16 3/4	6	7 1/2	5 3/4	35	18.80	28.00	24.65	33.35	47.00
W-3105	5	12 1/4		18 3/4	8	7 1/4	5 3/4	55	23.00	34.50	29.00	37.00	57.60
W-3106	6	12 1/4		18 3/4	8	7 1/2	5 3/4	55	25.30	38.00	31.30	40.50	63.50
W-3108	8	13 3/4		19 1/2	10	7 1/2	5 3/4	75	35.30	53.00	47.50	59.00	84.00
Dome Strainer, 2", 3" and 4"									5.90	7.65			11.75
5" and 6"									7.00	10.50			13.00
8"									12.30	18.50			24.50
Clamping Bolt, Wing Nut, Washer and Cotter Key													.95

SERIES W-3110

W-3112	2		18 3/4	16 3/4	6	7 1/2	5 3/4	44	25.30	38.00	31.15	42.00	52.50
W-3113	3		18 3/4	16 3/4	6	7 1/2	5 3/4	44	25.30	38.00	31.15	42.00	52.50
W-3114	4		18 3/4	16 3/4	6	7 1/2	5 3/4	44	25.30	38.00	31.15	42.00	52.50
W-3115	5		20 3/4	18 3/4	8	7 1/2	5 3/4	64	29.50	44.25	35.50	46.75	64.00
W-3116	6		20 3/4	18 3/4	8	7 1/2	5 3/4	64	35.00	52.50	41.00	55.00	80.00
W-3118	8		21 1/2	19 1/2	10	7 1/2	5 3/4	84	47.00	70.00	59.20	76.00	99.50

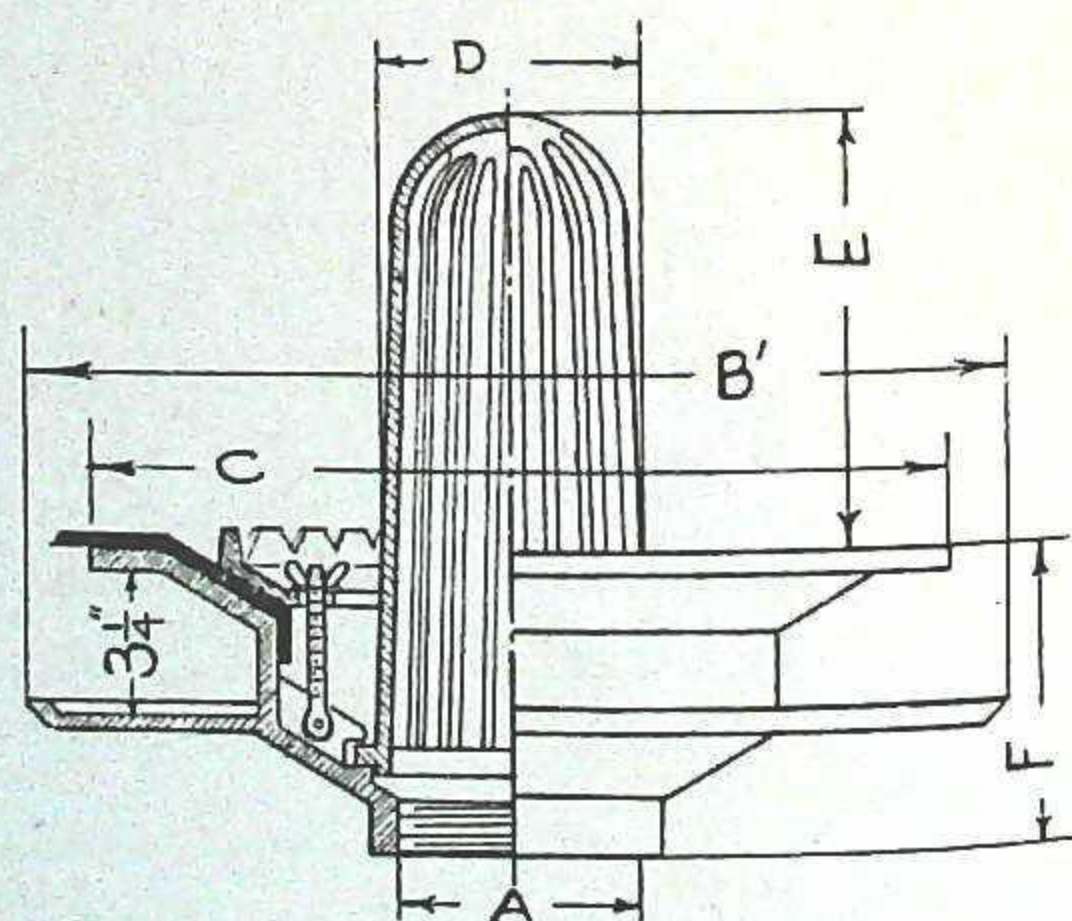
*Add 1 1/2" to this dimension when caulking connection is used.

ROOF DRAIN WITH SEEPAGE FLANGE

AND REMOVABLE STRAINER

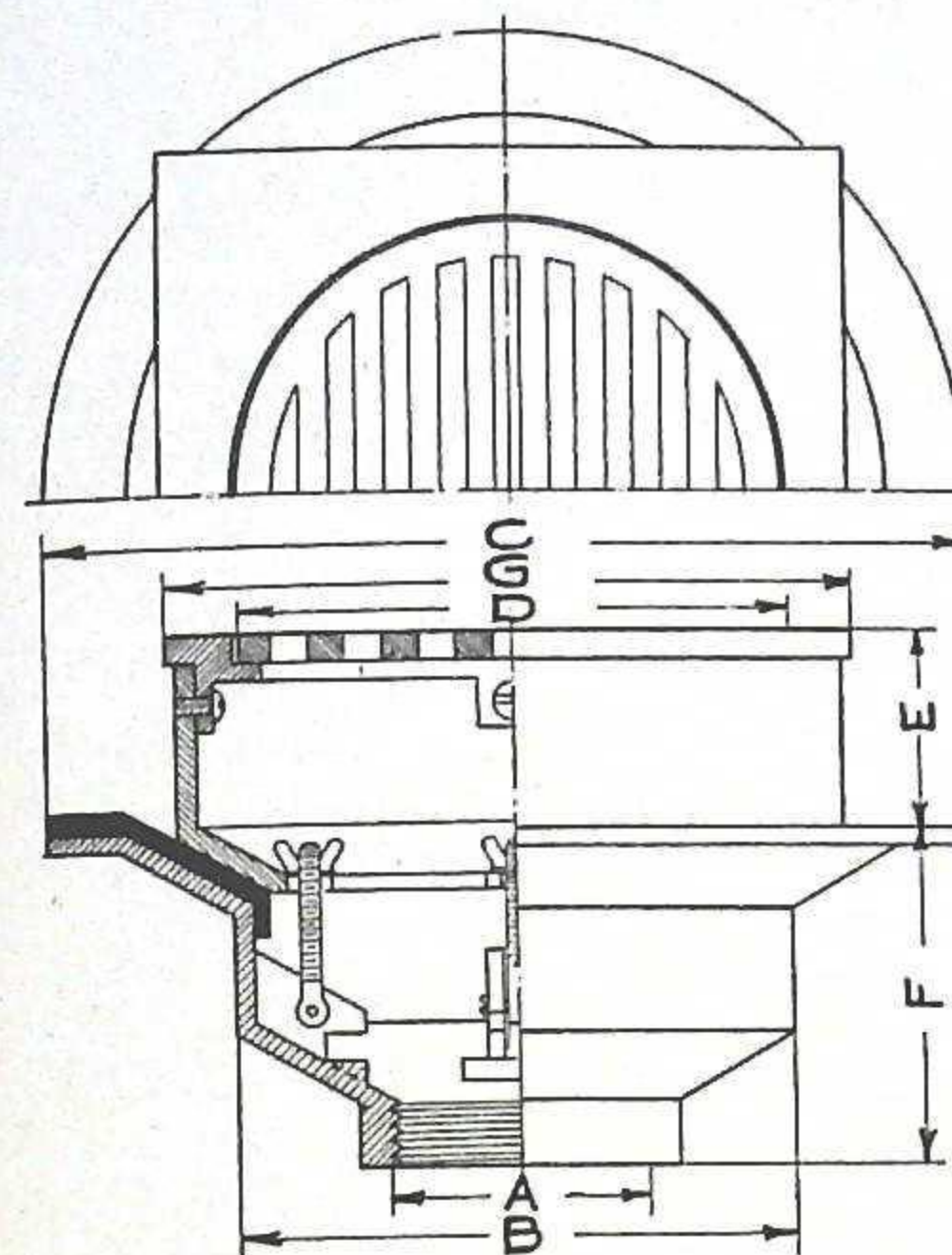
SERIES W-3110

- **RECOMMENDED USES:**
 - (1) For poured concrete decks and other types (but not wood or precast) where seepage flange is required, and where minimum slab of 4" is available.
- **STANDARD CONSTRUCTION:**
 - (1) Extra heavy cast iron body with non-tilting, locking type dome strainer, heavy flashing ring with gravel stop, and brass toggle bolts.
 - (2) Female threaded outlet. Hub outlet for inside caulking optional.

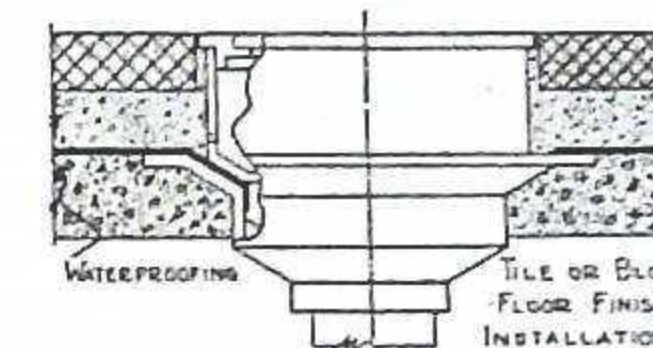


PROMENADE DECK DRAIN WITH SQUARE TOP

SERIES W-3130



- **RECOMMENDED USES:**
 - (1) All types of promenade decks with tile, concrete, block, composition or other finishes.
- **STANDARD CONSTRUCTION:**
 - (1) Extra heavy cast iron body with square top flange and round grate.
 - (2) Brass toggle bolts secure flashing and permit quickest and easiest installation.
 - (3) Female threaded outlet. Hub outlet optional for inside caulking.
- **SPECIAL CONSTRUCTION:**
 - (1) For expansion joint see page 34.
 - (2) All-brass top furnished when required.
 - (3) Additional heights above flange furnished when required; 2" height regularly furnished.
 - (4) Round top with bolted grate when required.
- **FEATURES:**
 - (1) This drain can be adapted to receive a double flashing, one at the structural slab level, and one at the paved deck level. Details on application.



SPECIFICATIONS AND LIST PRICES

No.	Dimensions							Wt.	Cast Iron		With Brass Top		All Brass	Add to Brass Top		
	A	B	B ¹	C	D	E	F*		G	Black	Galv.	Black		Galv.	For White Metal	For Chrome Plate
W-3132	2	10		16 3/4	10 1/2		5 3/4	13	41	\$23.50	\$35.00	\$37.00	\$47.50	\$51.00	\$10.60	\$4.70
W-3133	3	10		16 3/4	10 1/2	1 1/2"	5 3/4	13	41	23.50	35.00	37.00	47.50	51.00	10.60	4.70
W-3134	4	10		16 3/4	10 1/2	to 4"	5 3/4	13	41	23.50	35.00	37.00	47.50	51.00	10.60	4.70
W-3135	5	12 1/4		18 3/4	12 5/8		5 3/4	15 1/8	61	29.00	43.50	46.00	57.50	62.00	12.30	5.30
W-3136	6	12 1/4		18 3/4	12 5/8		5 3/4	15 1/8	61	31.80	47.50	53.50	67.50	72.00	15.30	5.90
W-3138	8	13 3/4		19 1/2	12 5/8		5 3/4	15 3/4	81	42.50	63.50	65.00	81.50	86.50	15.30	5.90
Grate, 10 1/2" Dia.										3.50	5.25	7.00	7.00	7.00		
12 5/8" Dia.										4.10	6.15	7.65	7.65	7.65		
14 7/8" Dia.										5.30	8.00	10.60	10.60	10.60		

SERIES W-3150

W-3152	2		18 3/4	16 3/4	6	7 1/2	5 3/4	13	52	30.00	38.00	42.00	53.00	56.00	10.60	4.70
W-3153	3		18 3/4	16 3/4	6	7 1/2	5 3/4	13	52	30.00	38.00	42.00	53.00	56.00	10.60	4.70
W-3154	4		18 3/4	16 3/4	6	7 1/2	5 3/4	13	52	30.00	38.00	42.00	53.00	56.00	10.60	4.70
W-3155	5		20 3/4	18 3/4	8	7 1/2	5 3/4	15 1/8	72	37.00	47.00	52.50	62.50	68.50	12.30	5.30
W-3156	6		20 3/4	18 3/4	8	7 1/2	5 3/4	15 1/8	72	43.00	55.00	63.00	80.00	88.00	15.30	5.90
W-3158	8		21 1/2	19 1/2	10	7 1/2	5 3/4	15 3/4	92	53.00	67.50	76.50	97.40	102.00	15.30	5.90

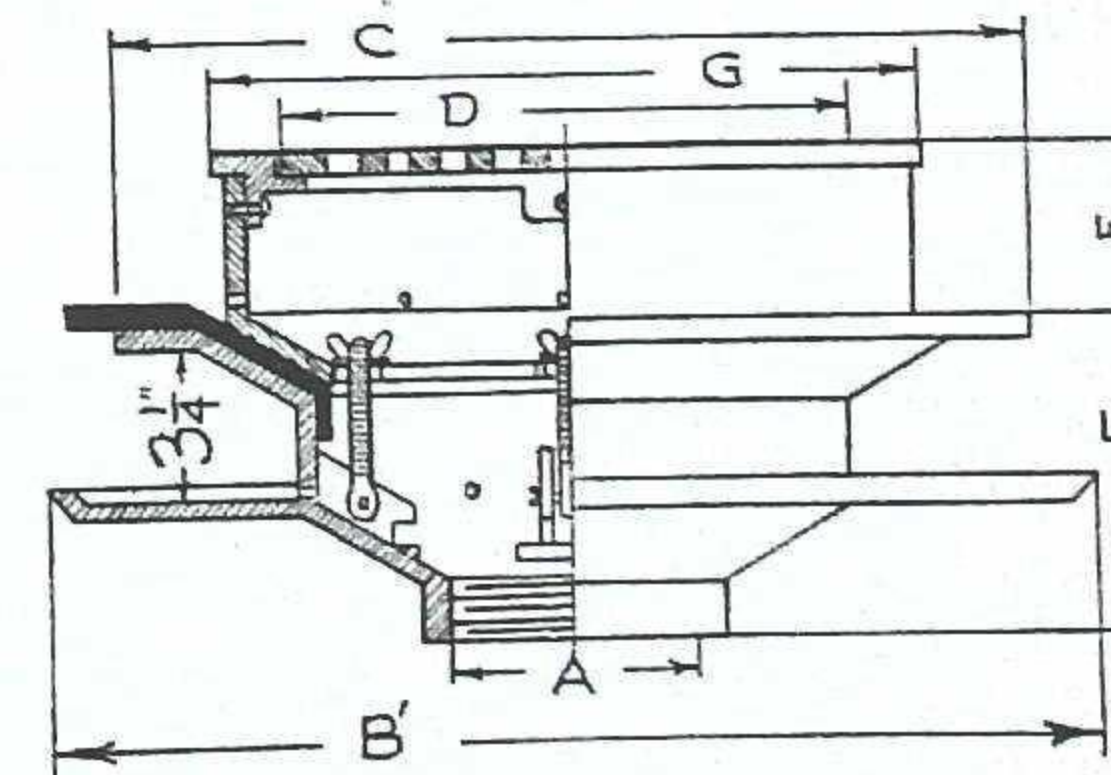
*Add 1 1/2" to this dimension when Caulking connection is used.

PROMENADE DECK DRAIN

WITH SEEPAGE FLANGE

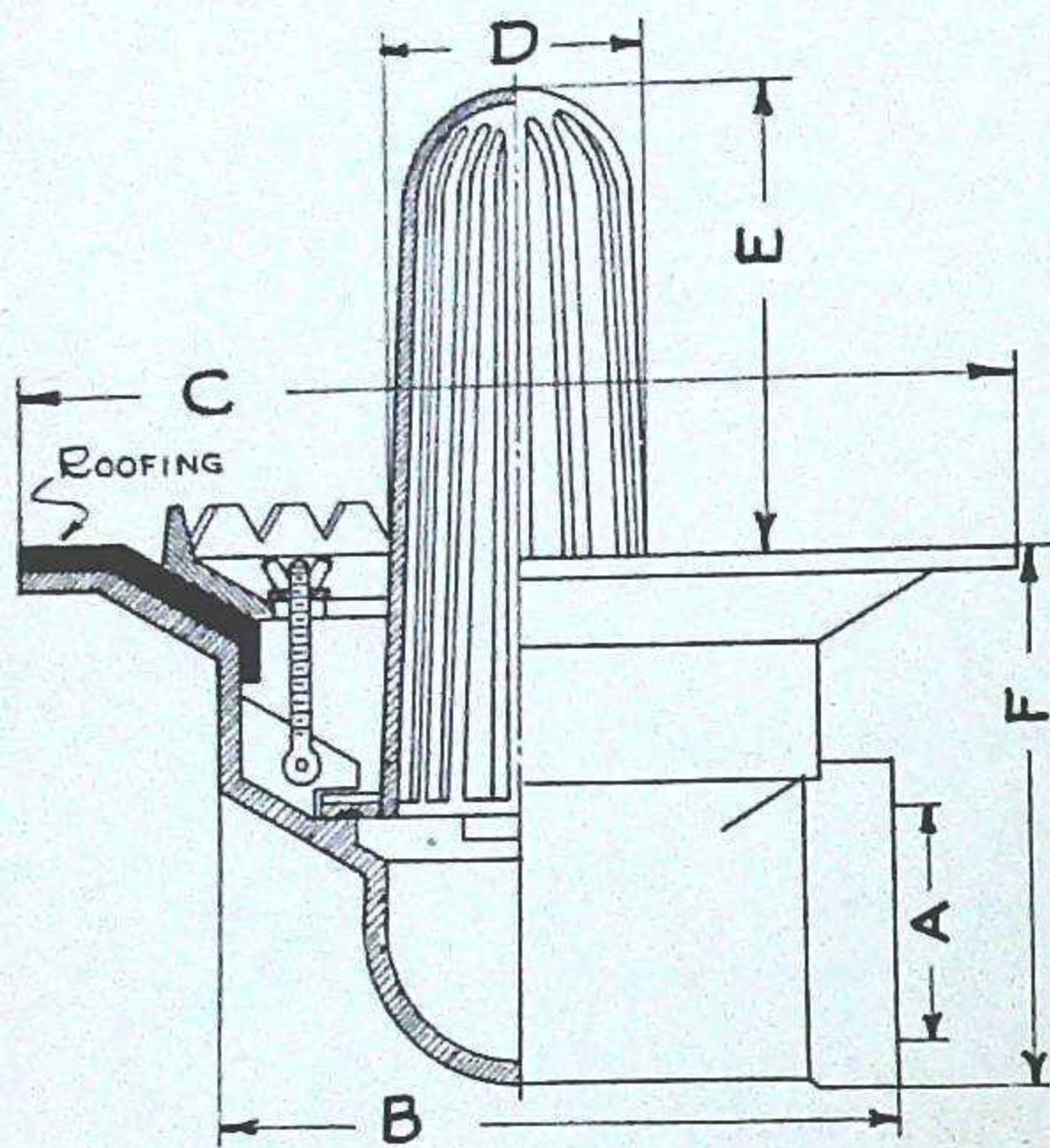
SERIES W-3150

- **RECOMMENDED USES:**
 - (1) For decks where seepage flange is required (but not wood or precast slab), and where a minimum slab of 4" is available.
- **STANDARD CONSTRUCTION:**
 - (1) Extra heavy cast iron body with square top flange and round grate; brass toggle bolts secure flashing to drain.
 - (2) Female threaded outlet. Hub outlet for inside caulking optional.
 - (3) Height of extension above slab 2" unless otherwise ordered.



ROOF DRAIN WITH SIDE OUTLET

SERIES W-3170



- **RECOMMENDED USES:**
 - (1) All types of roof deck construction wherever a side outlet type of drain is needed.
- **STANDARD CONSTRUCTION:**
 - (1) Extra heavy cast iron body with non-tilting, locking type dome strainer, heavy flashing ring with gravel stop.
 - (2) Brass toggle bolts secure flashing and permit quick and easiest installation.
 - (3) Female threaded outlet. Hub outlet when ordered.
 - (4) Conforms to Government Specifications.
- **SPECIAL CONSTRUCTION:**
 - (1) For Expansion Joints, see page 34.
 - (2) For other variations this drain is same as Series W-3100.

SPECIFICATIONS AND LIST PRICES

No.	Dimensions							Wt.	Cast Iron		With Brass Dome or Top		All Brass
	A	B	C	D	E	F	G		Black	Galv.	Black	Galv.	
W-3172	2	11	16 3/4	6	7 1/2	7 1/4	47	\$23.50	\$35.00	\$29.35	\$38.10	\$59.00
W-3173	3	11	16 3/4	6	7 1/2	7 1/4	47	23.50	35.00	29.35	38.10	59.00
W-3174	4	11	16 3/4	6	7 1/2	7 1/4	47	23.50	35.00	29.35	38.10	59.00
W-3175	5	13 1/8	18 3/4	8	7 1/2	9	73	28.80	43.00	36.00	44.00	72.00
W-3176	6	13 1/8	18 3/4	8	7 1/2	9	73	34.00	51.00	38.30	47.50	79.50
W-3178	8	15 1/2	19 1/2	10	7 1/2	11 1/4	94	44.00	66.00	56.25	67.75	105.00
Flashing Ring, 2", 3" and 4"									4.10	6.15	4.10	6.15	8.25
Flashing Ring, 5" and 6"									5.00	7.50	5.00	7.50	10.00
Flashing Ring, 8"									6.20	12.00	6.20	12.00	14.00

For Price on Strainers, see W 3100, Page 30

SERIES W-3190

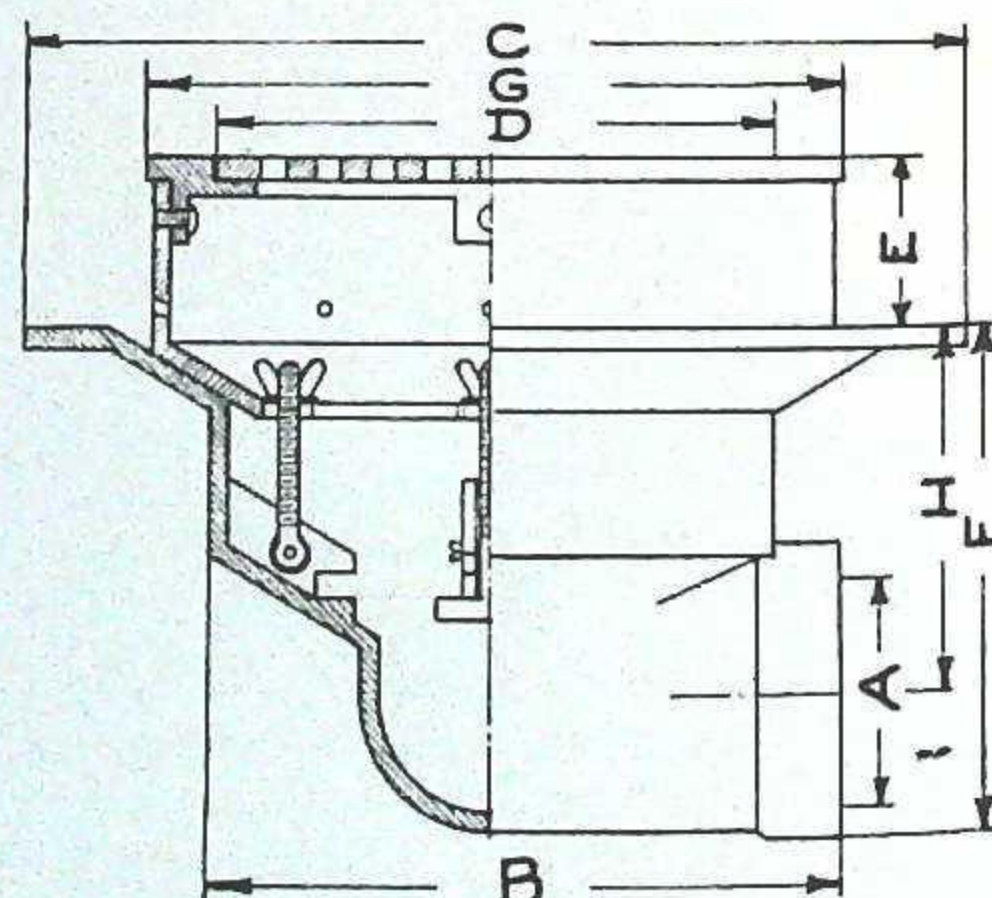
No.	Dimensions							Wt.	Cast Iron		With Flat Grate		All Brass
	A	B	C	D	E	F	G		Black	Galv.	Black	Galv.	
W-3192	2	11	16 3/4	10 1/2	1 1/2"	7 1/4	13	53	34.70	42.70	46.70	57.70	69.50
W-3193	3	11	16 3/4	10 1/2	1 1/2"	7 1/4	13	53	34.70	42.70	46.70	57.70	69.50
W-3194	4	11	16 3/4	10 1/2	1 1/2"	7 1/4	13	53	34.70	42.70	46.70	57.70	69.50
W-3195	5	13 1/8	18 3/4	12 5/8	4"	9	15 1/8	80	36.00	54.00	59.50	69.50	82.50
W-3196	6	13 1/8	18 3/4	12 5/8	4"	9	15 1/8	80	38.50	58.00	70.00	87.00	90.00
W-3198	8	15 1/2	19 1/2	12 5/8	11 1/4	15 3/4	102	51.50	77.00	83.50	104.00	116.00

For Price on Grates, see W-3130, Page 31.

PROMENADE DECK DRAIN WITH SIDE OUTLET

SERIES W-3190

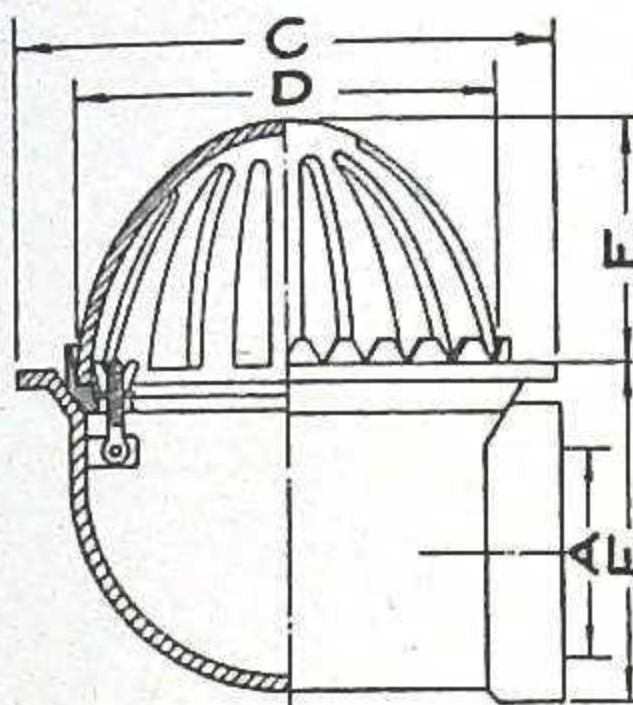
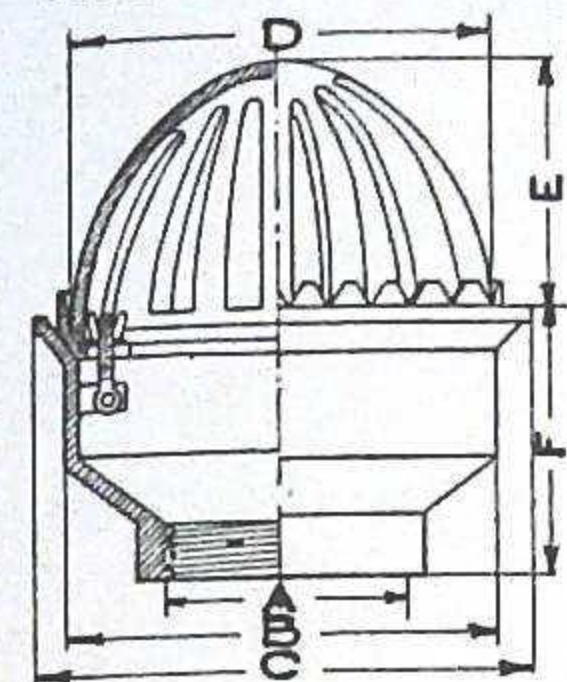
- **RECOMMENDED USES:**
 - (1) All types of promenade decks where side outlet drain is needed. Suitable for all deck finishes.
- **STANDARD CONSTRUCTION:**
 - (1) Extra heavy cast iron body with square top flange and round grate; brass toggle bolts.
 - (2) Female threaded outlet.
 - (3) Height of extension above slab 2" unless otherwise ordered.
- **SPECIAL CONSTRUCTION:**
 - (1) All brass top furnished when specified.
 - (2) Height of extension above slab variable.



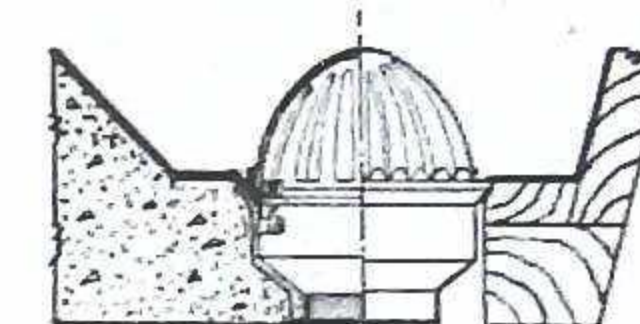
WADE MANUFACTURING CO.

ROOF DRAIN WITH DOME STRAINER FOR VALLEYS AND GUTTERS

SERIES W-3200



- **RECOMMENDED USES:**
 - (1) All metal lined gutters, small roof areas, narrow valleys, etc., and for small deck areas with built-up roofing.
- **STANDARD CONSTRUCTION:**
 - (1) Cast iron body with removable dome strainer.
 - (2) Flashing secured by brass bolts and iron ring; gravel stop on flashing ring.
 - (3) Female threaded outlet. Hub outlet optional on 2", 3", and 4" size only.
- **SPECIAL CONSTRUCTION:**
 - (1) The following variations of the above drain may be had by specifying as indicated:
 - (a) Narrow valley drain with side outlet, otherwise as above, specify Series W-3210 (illustrated).
 - (b) Narrow valley drain with bottom outlet and square top flange, specify Series W-3200-S.
 - (c) Narrow valley drain with side outlet and with square top flange, specify Series W-3210-S.
 - (2) For expansion joints see page 34.



INSTALLATION IN NARROW METAL COVERED GUTTERS

SERIES W-3210

SPECIFICATIONS AND LIST PRICES

No.	Dimensions						Wt.	Cast Iron		All Brass	With Flat Grate		All Brass	
	A	B	C	D	E	F		Black	Galv.		Black	Galv.		
W-3202	2	6 1/2	8	6 1/2	6	4	20	\$10.60	\$15.90	\$26.50	\$14.10	\$18.00	\$30.00	
W-3203	3	6 1/2	8	6 1/2	6	4	20	10.00	15.90	26.50	14.10	18.00	30.00	
W-3204	4	6 1/2	8	6 1/2	6	4	20	10.60	15.90	26.50	14.10	18.00	30.00	
W-3205	5	6 1/2	8	6 1/2	6	4	20	11.80	17.70	29.50	15.30	19.50	33.00	
W-3202-S	2	6 1/2	9 x 9	6 1/2	6	4	23	11.00	16.50	28.00	14.60	18.60	31.40	
W-3203-S	3	6 1/2	9 x 9	6 1/2	6	4	23	11.00	16.50	28.00	14.60	18.60	31.40	
W-3204-S	4	6 1/2	9 x 9	6 1/2	6	4	23	11.00	16.50	28.00	14.60	18.60	31.40	
W-3205-S	5	6 1/2	9 x 9	6 1/2	6	4	23	12.35	18.50	31.00	15.90	20.25	34.25	
W-3212	2	8	6 1/2	6	6 1/2	25	13.20	19.80	33.00	16.70	21.25	36.50	
W-3213	3	8	6 1/2	6	6 1/2	25	13.20	19.80	33.00	16.70	21.25	36.50	
W-3214	4	8	6 1/2	6	6 1/2	25	13.20	19.80	33.00	16.70	21.25	36.50	
W-3215	5	8	6 1/2	6	6 1/2	25	14.70	22.00	36.75	18.25	23.25	40.00	
W-3212-S	2	9 x 9	6 1/2	6	6 1/2	28	13.80	20.60	34.50	17.30	22.00	38.00	
W-3213-S	3	9 x 9	6 1/2	6	6 1/2	28	13.80	20.60	34.50	17.30	22.00	38.00	
W-3214-S	4	9 x 9	6 1/2	6	6 1/2	28	13.80	20.60	34.50	17.30	22.00	38.00	
W-3215-S	5	9 x 9	6 1/2	6	6 1/2	28	15.30	23.00	38.20	18.85	24.00	41.50	
Dome Strainer									3.50	5.25	8.80	2.05	3.10	4.70
Flat Grate														

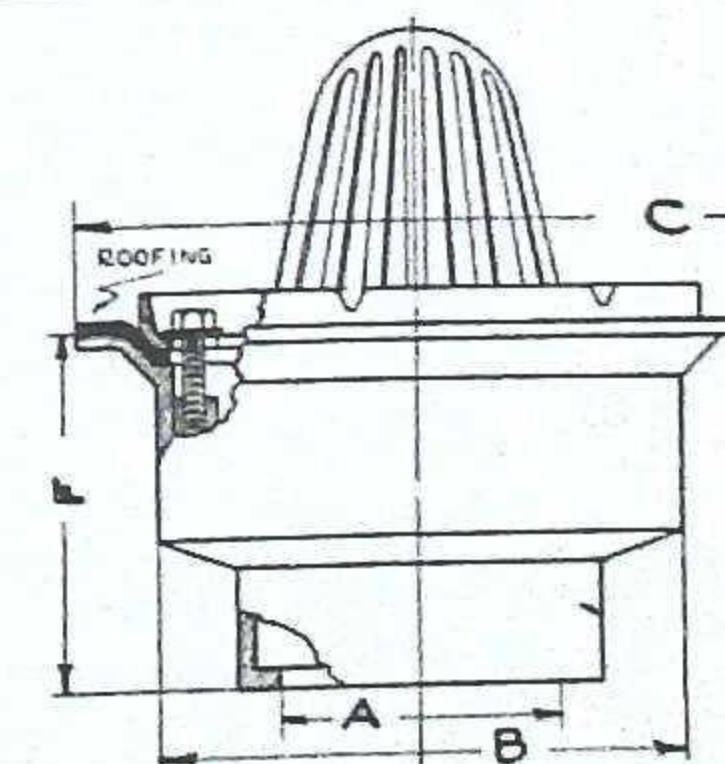
SERIES W-3220

W-3222	2	8 3/4	11	5 1/4	22	12.50	18.75	31.00	17.50	23.75
W-3223	3	8 3/4	11	5 1/4	22	12.50	18.75	31.00	17.50	23.75
W-3224	4	8 3/4	11	5 1/4	22	12.50	18.75	31.00	17.50	23.75
W-3225	5	10 1/2	13	5 1/4	24	13.50	20.00	34.00	18.50	25.00
W-3226	6	10 1/2	13	5 1/4	26	14.50	21.75	36.00	19.50	26.75

ROOF DRAIN WITH DOME STRAINER FOR SMALL ROOF AREAS

SERIES W-3220

- **RECOMMENDED USES:**
 - (1) All types of roof construction of relatively small area.
 - (2) Where light-weight, inexpensive down-spout head can be installed.
- **STANDARD CONSTRUCTION:**
 - (1) Cast iron body with removable dome strainer.
 - (2) Clamping ring with gravel stop and brass bolts.
 - (3) Hub outlet for inside caulking unless otherwise specified.



WADE MANUFACTURING CO.

BALCONY AND CORNICE DRAIN

SERIES W-3230

● **RECOMMENDED USES:**

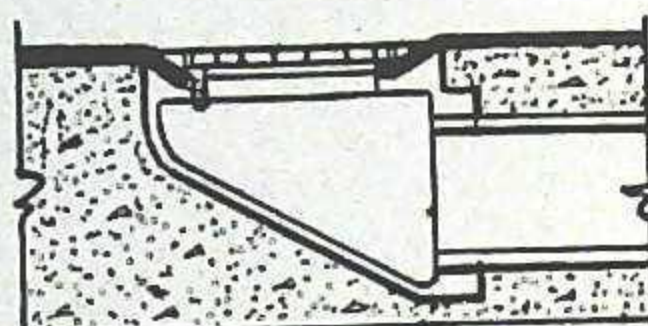
- (1) All types of tile and copper gutters, cornices, small balconies, etc.
- (2) Where very shallow side outlet drain is required in other construction.

● **STANDARD CONSTRUCTION:**

- (1) Cast iron body with brass dome and clamping ring unless otherwise ordered. Female threaded outlet.
- (2) 90° side outlet; 45° type furnished at no extra cost if required, but specify W-3230-A.
- (3) Dome strainer is bolted to clamping ring, which in turn securely holds flashing to drain.

● **SPECIAL CONSTRUCTION:**

- (1) All brass construction when so ordered.
- (2) Flat strainer in place of dome type furnished at no extra cost.
- (3) All brass angle type drain with barrel strainer and 8" x 8" face not illustrated but priced below under Series W-3230-S.



SLAB INSTALLATION WITH FLAT GRATE

SPECIFICATIONS AND LIST PRICES

No.	Dimensions			Wt.	Cast Iron With Brass Strainer		All Brass	Add for White Metal Strainer	Add for Chrome Plate
	A	B	C		Black	Galv.			
W-3232	2	4 1/2	6	10	\$7.10	\$10.60	\$9.40	\$3.25	\$1.75
W-3233	3	5 1/4	6	11	8.85	13.00	13.00	3.25	1.75
W-3234	4	6	6	12	10.60	15.80	15.30	3.25	1.75
W-3232-A	2	5 1/4	6	11	7.10	10.60	9.40	3.25	1.75
W-3233-A	3	6	6	12	8.85	13.00	13.00	3.25	1.75
W-3234-A	4	6 1/2	6	13	10.60	15.80	15.30	3.25	1.75
W-3232-S	2			14			21.00	5.00	2.50
W-3233-S	3			14			21.00	5.00	2.50

SERIES W-3240

W-3242	2	8	6	12	10.00	15.00	16.50	3.25	1.75
W-3243	3	8	6	13	11.10	16.50	17.60	3.25	1.75
W-3242-B	2	3	6	9	6.70	10.00	11.75	3.25	1.75
W-3243-B	3	3	6	9	7.90	11.80	13.50	3.25	1.75

CORNICE AND SILL DRAIN

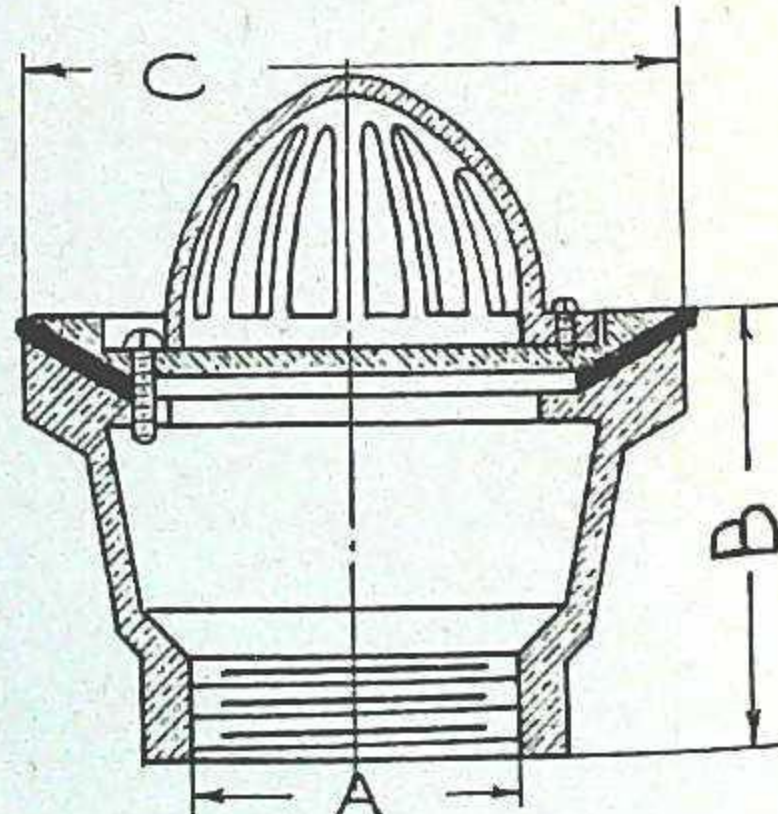
SERIES W-3240-B

● **RECOMMENDED USES:**

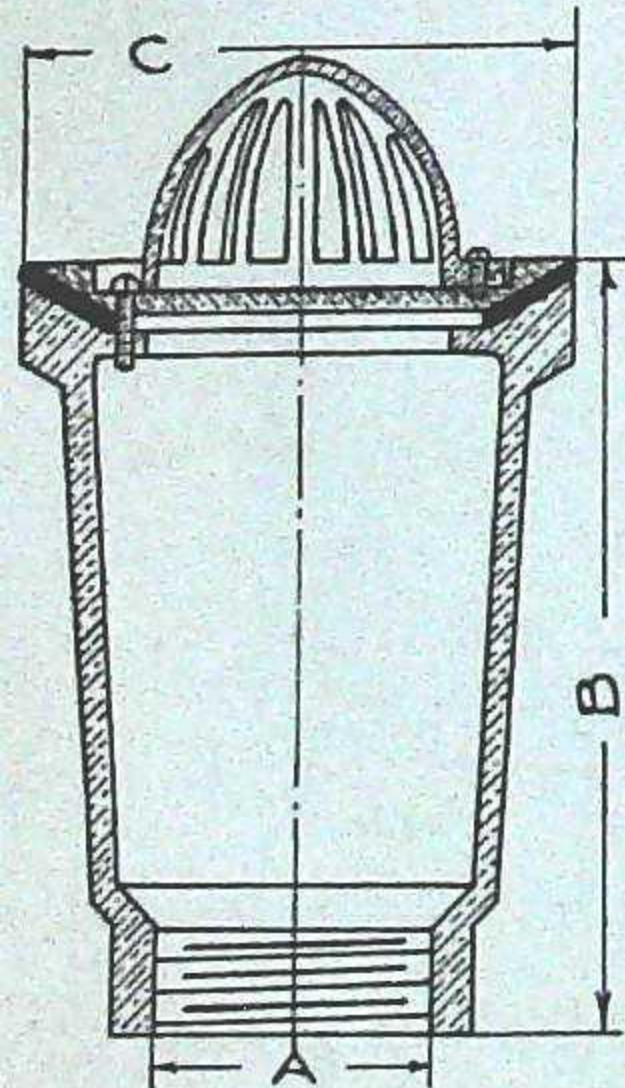
- (1) For all small set back decks, cornices, sills, etc., and for like areas requiring bottom outlet drain.

● **STANDARD CONSTRUCTION:**

- (1) Cast iron body with brass dome and clamping ring.
- (2) Dome strainer is bolted to clamping ring, and ring securely holds flashing to drain.
- (3) Female threaded outlet.
- (4) See table above for lengths of body of drain, and for other variations.



SERIES W-3240



ROOF DRAIN WITH REMOVABLE DOME STRAINER

AND INTEGRAL EXPANSION JOINT

SERIES W-3260

● **RECOMMENDED USES:**

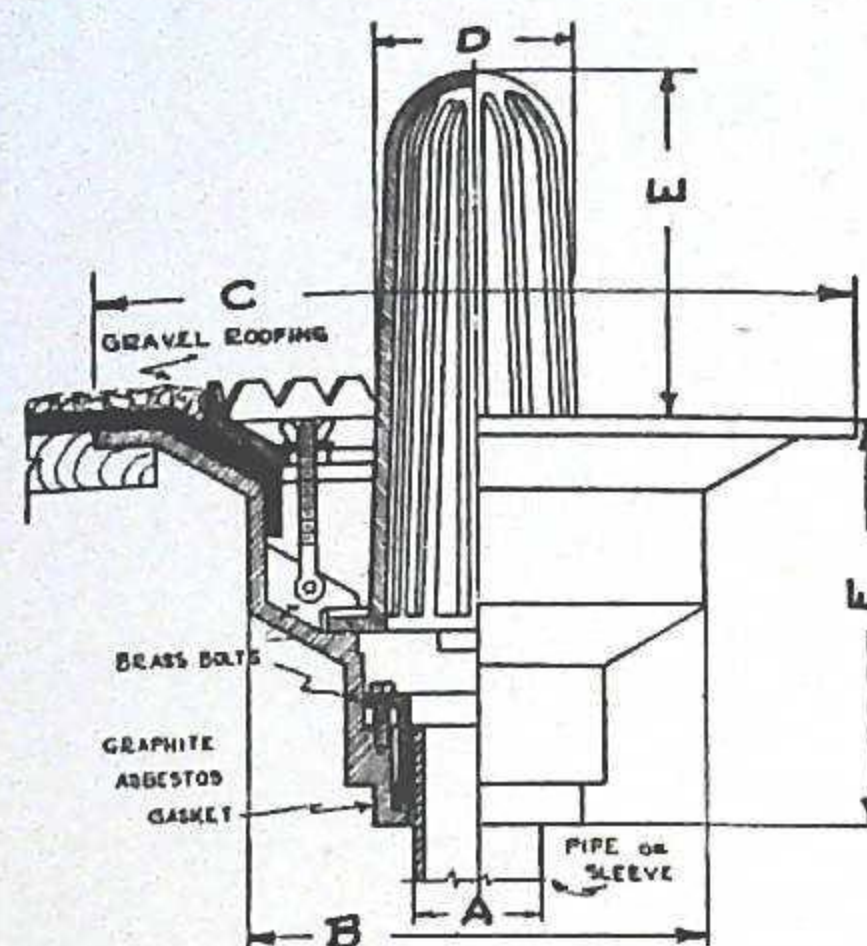
- (1) All types of roof deck construction where use of drain with integral expansion collar is indicated, particularly adapted to wood roofs.

● **STANDARD CONSTRUCTION:**

- (1) Heavy cast iron body with non-tilting, locking type dome strainer, heavy flashing ring with gravel stop.
- (2) Outlet fitted with graphited asbestos gasket expanded by means of cast iron gland collar and bronze bolts.
- (3) Brass toggle bolts secure flashing quickly and easily.

● **SPECIAL CONSTRUCTION:**

- (1) Brass sleeve with coupling to connect to threaded pipe furnished at added cost when so required.



SPECIFICATIONS AND LIST PRICES

No.	Dimensions						Wt.	Cast Iron		With Brass Sleeve		Flashing Ring		
	A	B	C	D	E	F		Black	Galv.	Black	Galv.	Black	Galv.	Brass
W-3262	2	10	16 3/4	6	7 1/2	7 1/2	35	\$18.80	\$28.00	\$28.25	\$39.25	\$3.50	\$5.25	\$7.00
W-3263	3	10	16 3/4	6	7 1/2	7 1/2	35	18.80	28.00	28.25	39.25	3.50	5.25	7.00
W-3264	4	10	16 3/4	6	7 1/2	7 1/2	35	18.80	28.00	28.25	39.25	3.50	5.25	7.00
W-3265	5	13 3/4	19 1/2	10	7 1/2	7 1/2	55	23.00	34.50	36.00	47.00	4.25	6.35	8.50
W-3266	6	13 3/4	19 1/2	10	7 1/2	7 1/2	55	25.30	38.00	40.50	51.00	4.25	6.35	8.50

PARAPET WALL DRAIN WITH OVERFLOW

SERIES W-3270

● **RECOMMENDED USES:**

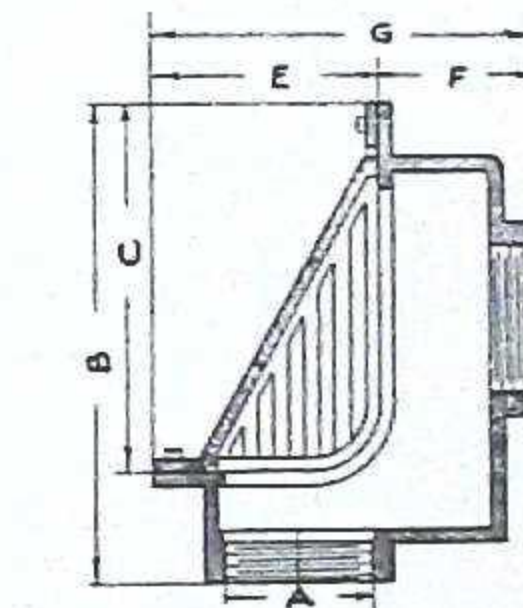
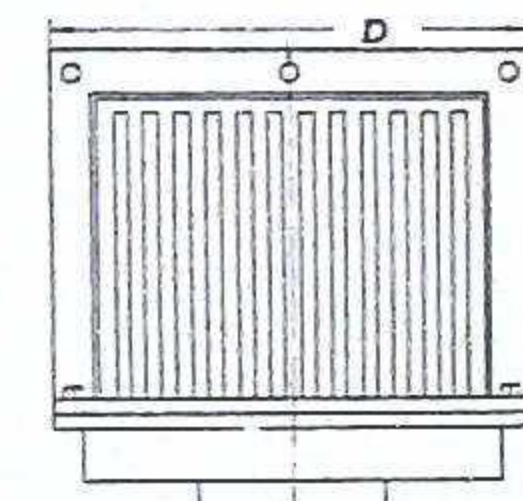
- (1) All types of parapet wall construction.

● **STANDARD CONSTRUCTION:**

- (1) Cast iron body with threaded outlet, and removable grate.
- (2) Clamping plate and bolts furnished with drain.
- (3) Brass grate furnished at added cost.
- (4) Drain is threaded for 3" overflow pipe through wall.

SPECIFICATIONS AND LIST PRICES

No.	Dimensions							Wt.	Cast Iron		With Brass Face		All Brass
	A	B	C	D	E	F	G		Black	Galv.	Black	Galv.	
W-3272	2	9 1/2	7 1/2	11 1/2	4 1/2	3 1/2	8	32	\$18.80	\$28.00	\$24.75	\$34.00	\$47.00
W-3273	3	9 1/2	7 1/2	11 1/2	4 1/2	3 1/2	8	32	18.80	28.00	24.75	34.00	47.00
W-3274	4	9 1/2	7 1/2	11 1/2	4 1/2	3 1/2	8	32	18.80	28.00	24.75	34.00	47.00
W-3275	5	9 1/2	7 1/2	11 1/2	4 1/2	3 1/2	8	42	25.30	38.00	33.50	44.00	53.50
W-3276	6	9 1/2	7 1/2	11 1/2	4 1/2	3 1/2	8	42	25.30	38.00	33.50	44.00	53.50



OVERFLOW OUTLET FOR PARAPET WALLS

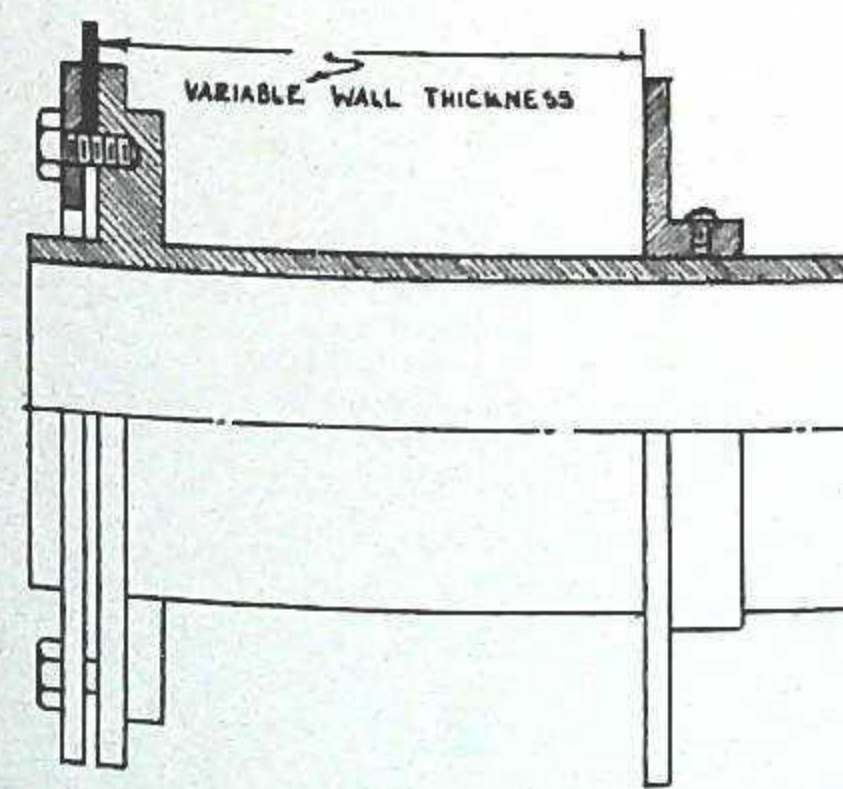
SERIES W-3280

● **STANDARD CONSTRUCTION:**

- (1) Cast iron unit with spigot outlet, flashing connection, and outside wall collar.
- (2) Length varies for wall thickness as below.

SPECIFICATIONS AND LIST PRICES

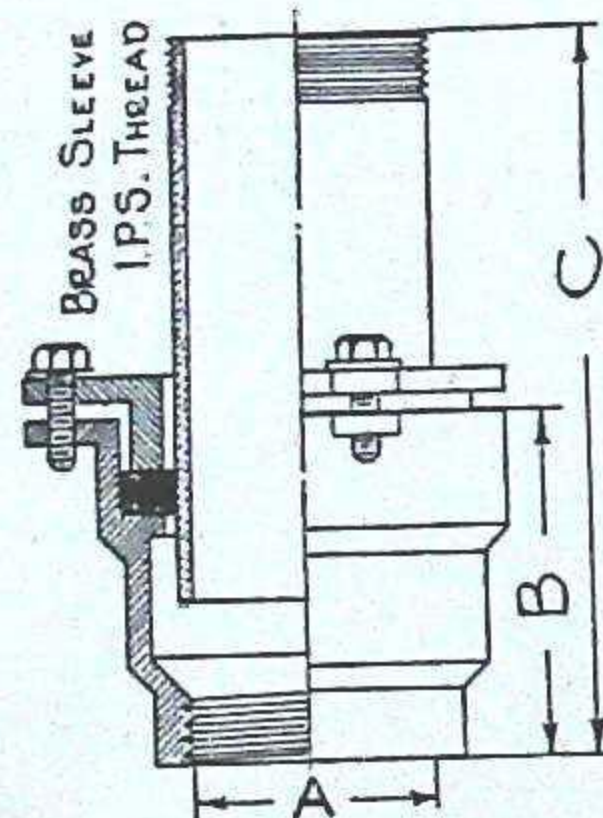
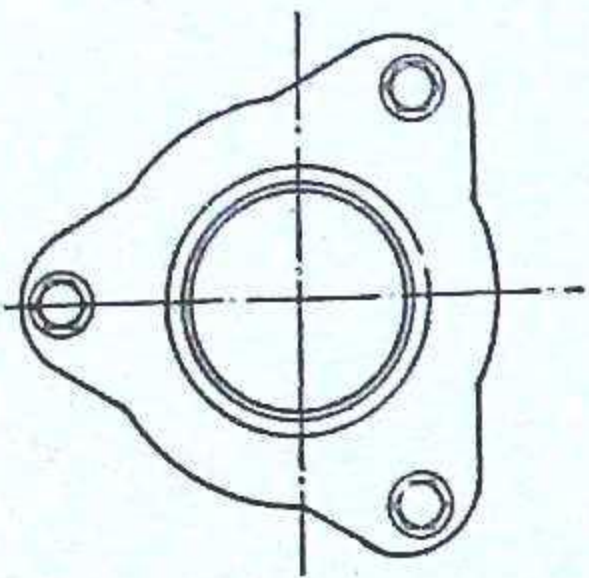
No.	Wall Thickness	Pipe Size	Weight	Cast Iron		Ornamental Outlet	
				Black	Galv.	Black	Galv.
W-3280-A	9	4	20	\$9.40	\$14.10	\$20.00	\$30.00
W-3280-B	13	4	25	11.75	17.60	22.25	33.50
W-3280-C	17	4	30	14.10	21.00	24.75	37.00
W-3280-D	21	4	35	16.50	24.80	27.00	40.50
W-3280-E	24	4	40	18.75	28.00	29.40	44.00



EXPANSION JOINT WITH BRASS PIPE SLEEVE

SERIES W-3300

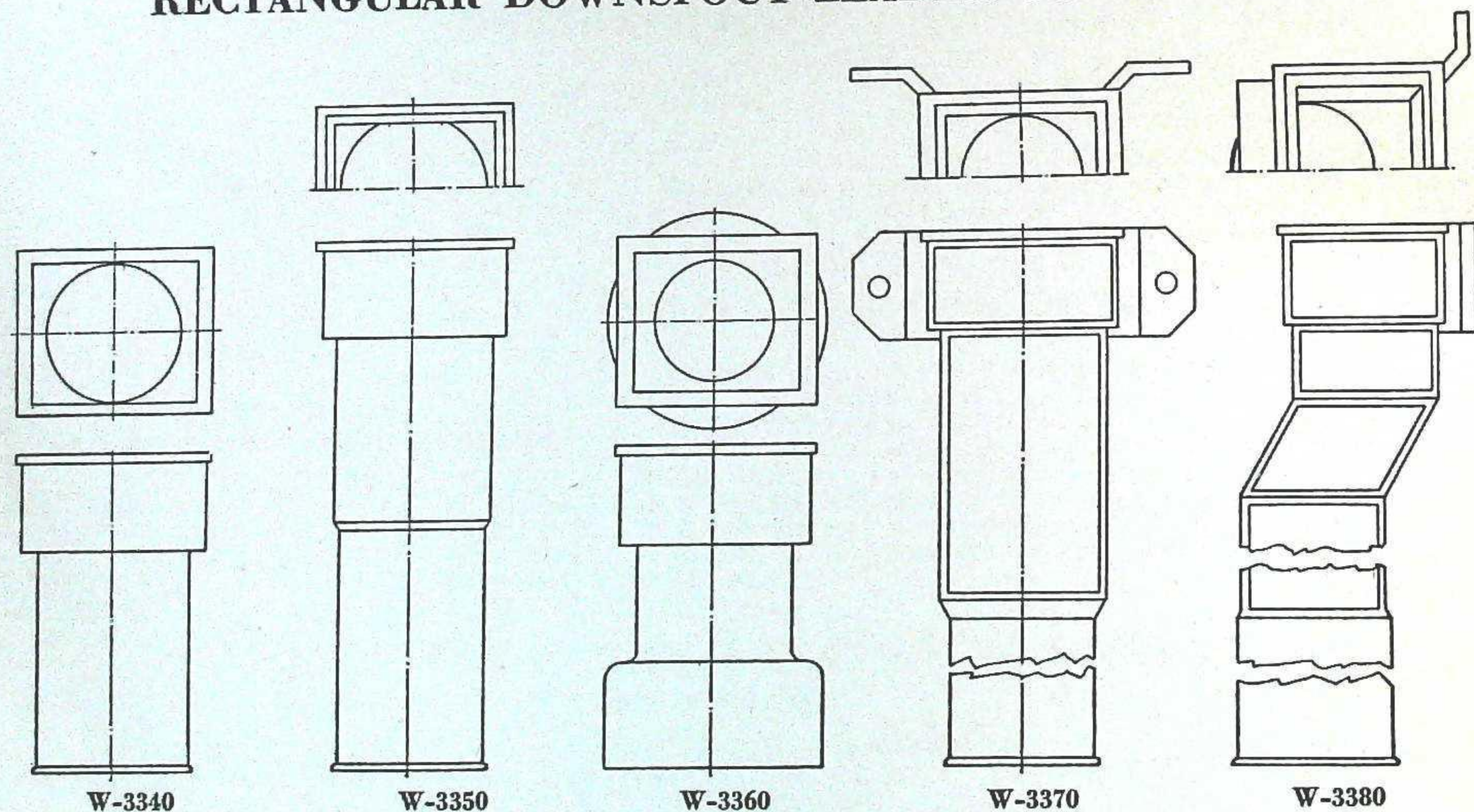
- **RECOMMENDED USES:**
 - (1) In connection with all roof drains illustrated.
 - (2) Suitable for any line subject to expansion or contraction.
- **STANDARD CONSTRUCTION:**
 - (1) Heavy cast iron body with full weight brass pipe sleeve threaded for iron pipe standards.
 - (2) Graphited asbestos gasket is expanded by means of heavy gland ring and three brass bolts, making watertight connection.
 - (3) Brass pipe has male thread; body has female thread.
 - (4) Conforms to Government Specifications.
- **SPECIAL CONSTRUCTION:**
 - (1) For variations from above, see table below.
- **FEATURES:**
 - (1) Brass sleeve is full weight brass pipe and not thin gauge type sleeve, thus permitting full, deep iron pipe threads.



SPECIFICATIONS AND LIST PRICES

No.	Dimensions				Wt.	Cast Iron With Brass Sleeve		All Brass
	A	B	C Min.	C Max.		Black	Galv.	
W-3302.....	2	4 1/4	8 3/8	10 1/4	9	\$6.50	\$8.25	\$10.60
W-3303.....	3	4 1/4	8 3/8	10 1/4	12	8.25	10.50	14.10
W-3304.....	4	4 1/4	8 3/8	10 1/4	17	9.40	12.00	16.50
W-3305.....	5	4 1/4	8 3/8	10 1/4	19	12.90	16.50	21.00
W-3306.....	6	4 1/4	8 3/8	10 1/4	22	15.30	19.50	25.80
W-3308.....	8	4 1/4	8 3/8	10 1/4	29	24.80	31.50	42.50

RECTANGULAR DOWNSPOUT LEADER CONNECTORS



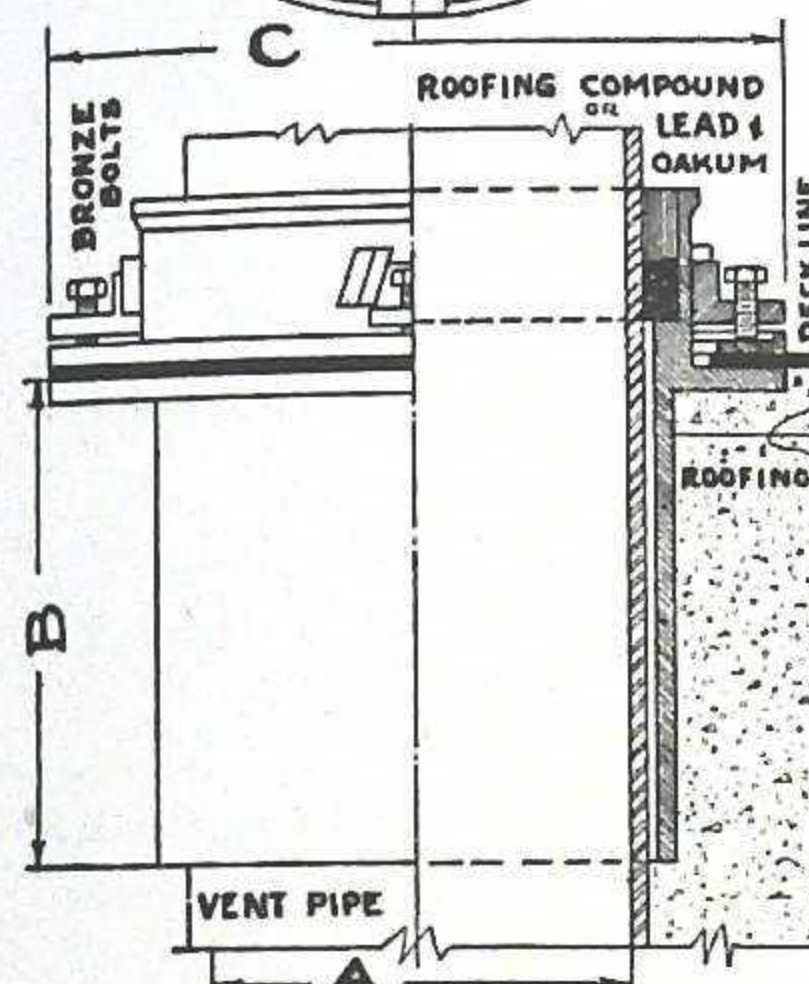
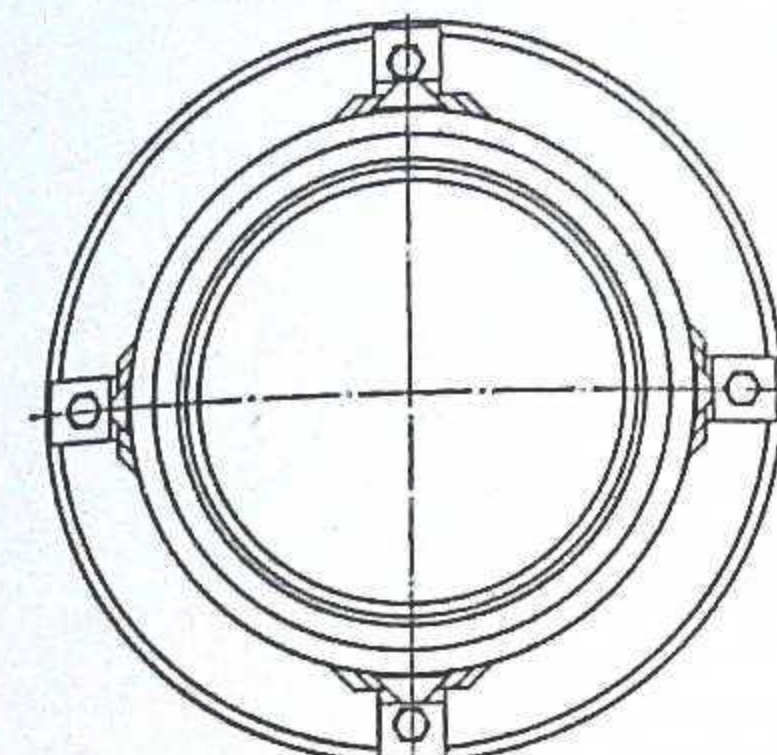
- **RECOMMENDED USES:**
 - (1) To connect rectangular metal downspout leaders on outside building walls to round cast iron pipe hubs.
 - (2) All types, except W-3360 which has iron pipe threaded hub, have spigot ends for soil pipe hubs.
- **STANDARD CONSTRUCTION:**
 - (1) Cast iron throughout with inlet and outlet sizes as indicated in table below.
- **SPECIAL CONSTRUCTION:**
 - (1) Top leader openings can be supplied for other rectangular leader sizes on special order at added cost.

No.	Size of Top Leader Opening	Pipe Size of Spigot or Hub	Overall Length	Cast Iron	
				Black	Galv.
W-3340.....	4 x 5	4"	9	\$3.85	\$5.80
W-3350.....	4 x 5	4"	15	5.00	7.50
W-3360.....	4 x 5	4"	9	5.60	8.40
W-3370.....	4 x 5	4"-5"	42	10.60	16.00
W-3380.....	4 x 5	4"	42	12.30	18.50

WADE MANUFACTURING CO.

VENT STACK SLEEVE WITH FLASHING CONNECTION

SERIES W-3400



- **RECOMMENDED USES:**
 - (1) All flat decks through which are carried soil and waste vent stacks or supply risers.
 - (2) Flagpoles and structural anchors supporting outdoor advertising display signs on roofs.
- **STANDARD CONSTRUCTION:**
 - (1) Cast iron body with flashing clamping ring and bronze bolts.
 - (2) Space is provided in sleeve to pour lead and oakum or roofing compound, making watertight connection between pipe and sleeve.
- **SPECIAL CONSTRUCTION:**
 - (1) On special order, the length of the sleeve below flange can be increased to extend through abnormally deep roof slabs or fill. Such extensions are made at added cost.

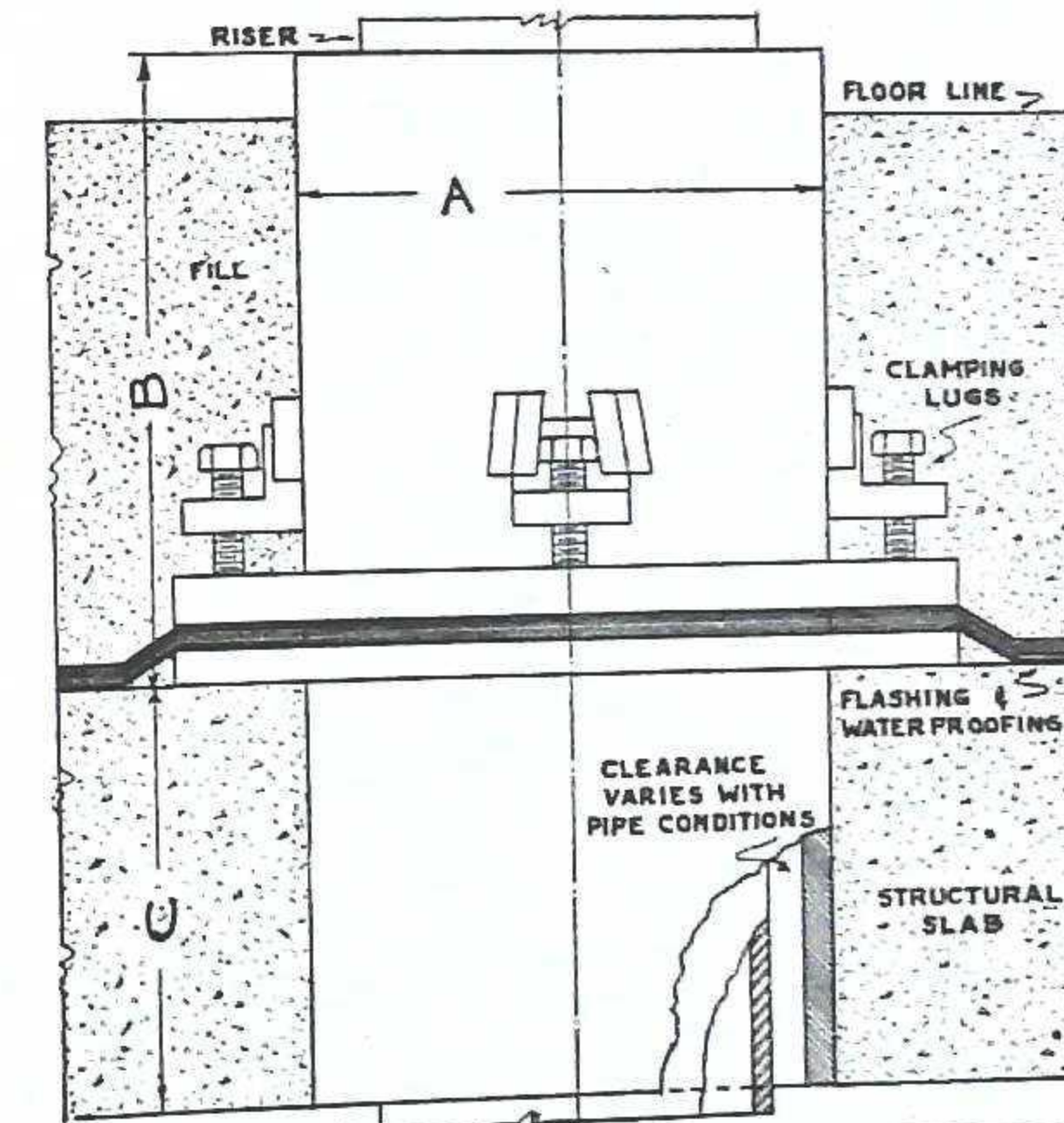
No.	Dimensions			Wt.	Cast Iron		All Brass
	A	B*	C		Black	Galv.	
W-3401.....	1 1/2	6	7	10	\$4.10	\$6.15	\$9.40
W-3402.....	2	6	7	11	4.10	6.15	9.40
W-3412.....	2 1/2	6	7	12	4.70	7.00	11.70
W-3403.....	3	6	8	13	4.70	7.00	11.70
W-3404.....	4	6	9 1/4	17	5.90	8.85	16.50
W-3405.....	5	6	10 1/4	20	7.10	10.60	21.20
W-3406.....	6	6	11 1/2	23	7.65	11.50	22.50
W-3408.....	8	6	14	27	11.70	17.60	27.50

*Longer bodies furnished at added cost.

FLOOR SLEEVE WITH WATERPROOFING CONNECTION

SERIES W-3600

- **RECOMMENDED USES:**
 - (1) All industrial and processing buildings where it is desired to have an absolutely watertight connection between floors, including all piping passing through various levels.
- **STANDARD CONSTRUCTION:**
 - (1) Extra heavy cast iron throughout with heavy flashing ring and bronze clamping bolts.
 - (2) Outside diameters of sleeves listed are nominal only.
 - (3) Extensions both above flange for varying floor fills, and below flange for varying structural slabs are dependent upon individual job conditions, and as such are not standard. This makes it impossible to show list prices, but which will be given upon application with full specifications.
- **FEATURES:**
 - (1) The newest, simplest and best method of waterproofing risers at any floor level yet developed.
 - (2) Can be adapted to meet any and all conditions.
 - (3) See Series W-8110 and W-8120, page 61, for floor plates corresponding to these sleeves.



No.	Dimensions			List Price Complete	
	A*	B	C	Black	Galv.
W-3603.....	3	Variable with Height of Concrete Fill	Variable with Thickness of Structural Slab	On Application	On Application
W-3604.....	4				
W-3605.....	5				
W-3606.....	6				
W-3607.....	7				
W-3608.....	8				
W-3610.....	10				
W-3612.....	12				
W-3614.....	14	5' Min. and Any Height Required	3' Min. and Any Depth Required	On Application	On Application
W-3615.....	15				
W-3616.....	16				
W-3618.....	18				

*Nominal O. D. of Sleeve only.

WADE MANUFACTURING CO.

BACKWATER VALVE WITH "FREE-SEAT" REVOLVING DISC AND FLUSHER CONNECTION

SERIES W-4200

● RECOMMENDED USES:

- (1) For all domestic and industrial purposes where basements are subject to floods as a result of backwater of sewage from any cause whatever.
- (2) Particularly valuable in protecting residential basements where mechanical equipment of any kind is liable to backwater damage from sudden down-pours.

● STANDARD CONSTRUCTION:

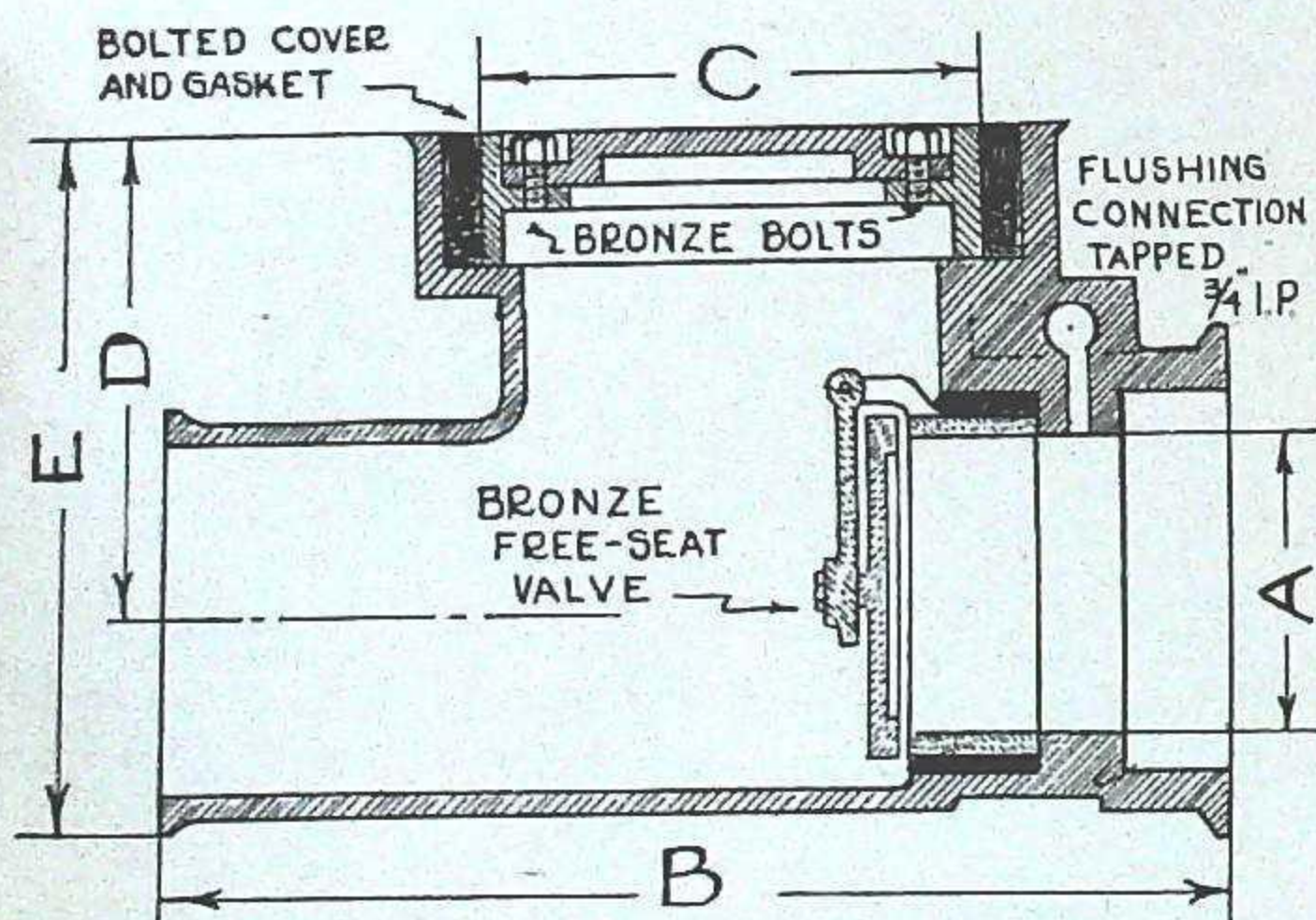
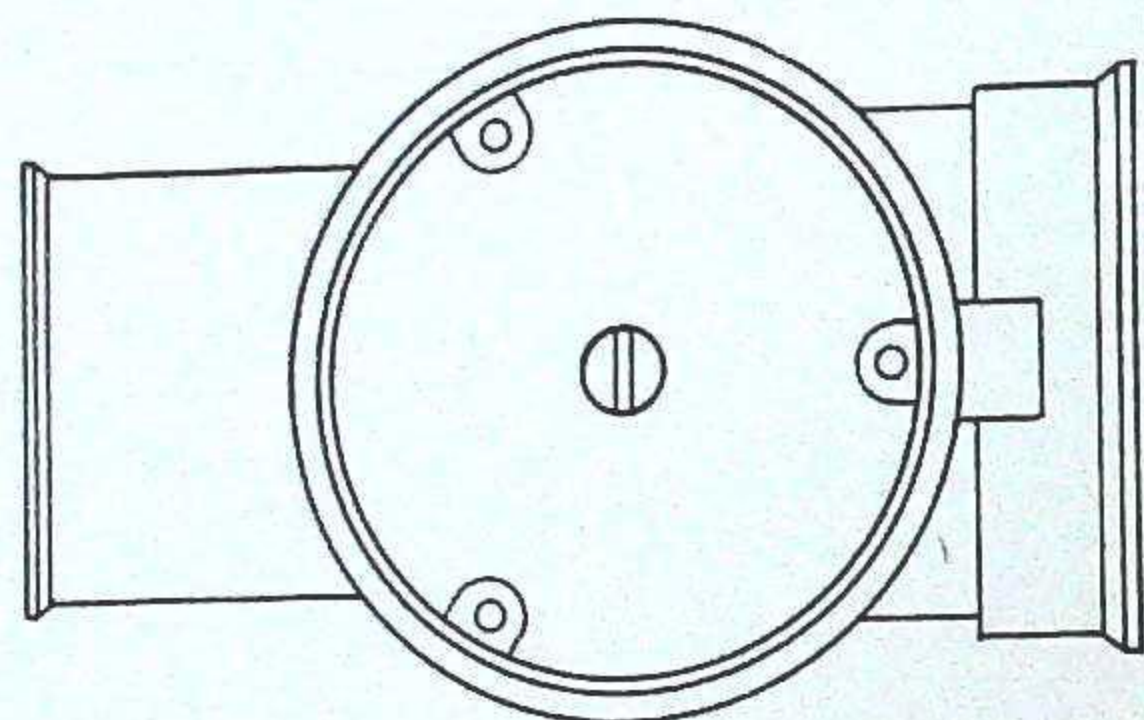
- (1) Heaviest cast iron body with all-bronze revolving disc "free-seat" valve.
- (2) Heavy bolted cover with countersunk brass bolts and durable gasket.
- (3) All valve flaps are interchangeable.
- (4) Water stream connection furnished on all sizes of valves, and is tapped for 3/4" iron pipe.
- (5) Hub inlet and spigot outlet; flanged ends furnished at added cost as indicated.

● SPECIAL CONSTRUCTION:

- (1) Valves furnished with brass covers set flush with floor at added cost.
- (2) See page 37 for price on valves fitted with extensions of variable length, and also for valves with threaded brass cleanouts.

● FEATURES:

- (1) Valve disc so designed that it hangs slightly open, eliminating necessity of a vent, and thus meets Government Specifications.
- (2) Refer to plan of typical residential basement on page 37 for proper methods of installing this valve. Note particularly treatment of down-spouts; also location of valve on branch to protect basement fixtures, thus leaving house drain unobstructed.

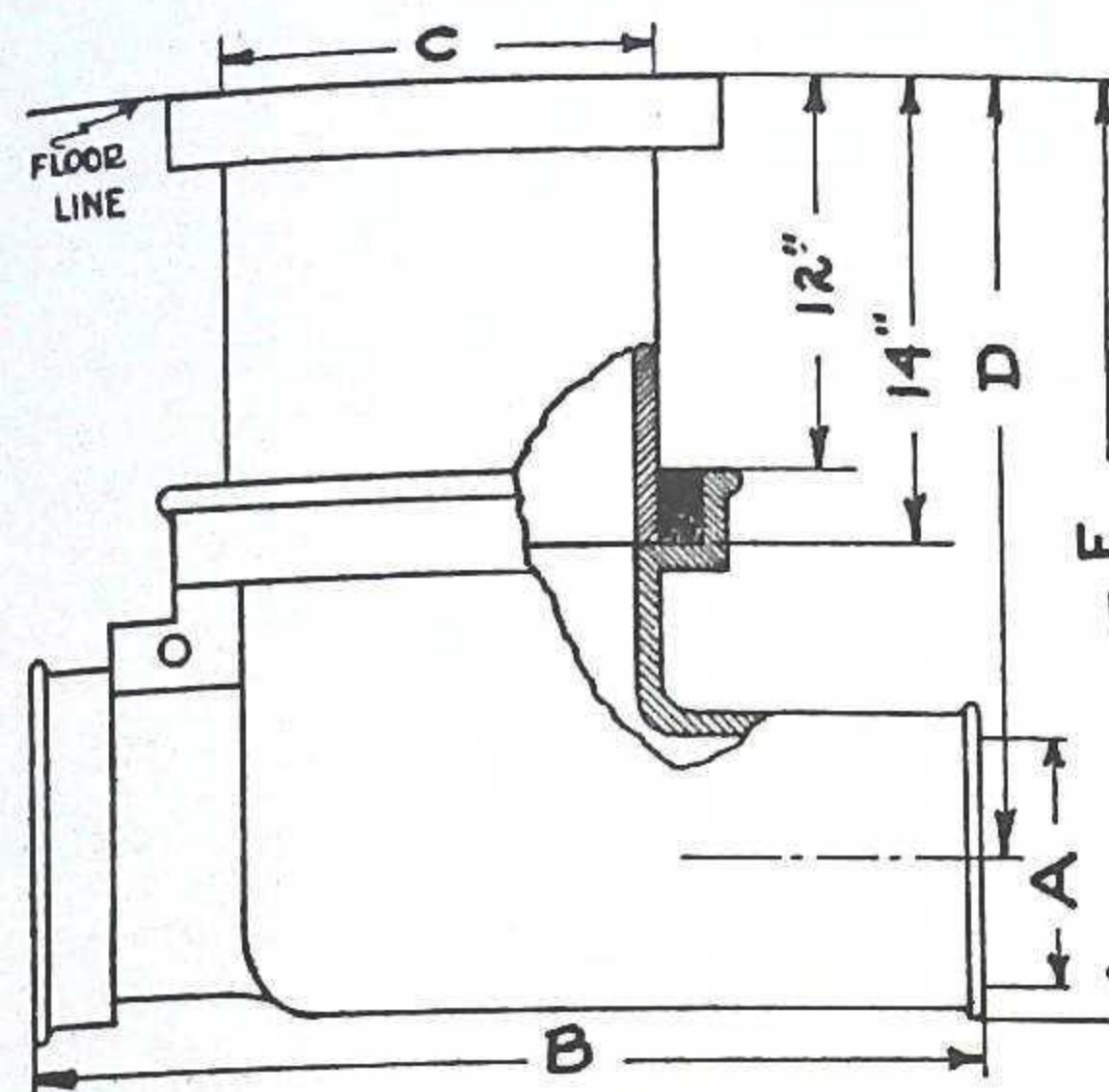


SPECIFICATIONS AND LIST PRICES

No.	Dimensions					Wt.	Painted Cast Iron		Add for Brass Cover
	A	B	C	D	E		Hub and Spigot	Flanged Ends	
W-4202	2	17 1/2	6	4 3/4	6	30	\$12.00	\$16.50	\$7.00
W-4203	3	17 1/2	6	4 3/4	7	35	14.00	20.00	7.00
W-4204	4	19 1/4	8	6	8 1/4	55	17.00	27.00	10.50
W-4206	6	20 1/4	10	9	13	90	23.00	40.00	14.00
W-4208	8	25	14	9	13 3/4	125	45.00	70.00	17.00
W-4209	9	25	14	9	13 3/4	130	60.00	85.00	17.00
W-4210	10	28 1/4	14	10	15 3/4	240	75.00	115.00	17.00
W-4212	12	34 1/2	16	11 1/2	18 1/2	350	130.00	185.00	20.00
W-4215	15						ON APPLICATION		
W-4218	18						ON APPLICATION		
W-4224	24						ON APPLICATION		

BACKWATER VALVE WITH ADJUSTABLE EXTENSIONS

SERIES W-4230



● STANDARD CONSTRUCTION:

- (1) Heavy cast iron extension piece made to any depth required, but furnished in sizes shown in table unless otherwise ordered.
- (2) Where extensions are too long as illustrated, they may be cut off to length required.
- (3) When ordering, refer to detail shown, and give exact dimension wanted from floor level to center of sewer.

● SPECIAL CONSTRUCTION:

- (1) When sewer depth exceeds three feet below floor, it is not practical to use extensions, as inside diameter does not allow arm access. Other means, such as concrete boxes or pits must be used.

● FEATURES:

- (1) The adaptability of the WADE valve to receive extensions of any length, which in turn receive the regular valve cover, make it suitable for any construction conditions.
- (2) The revolving flapper disc is designed to effect a self-cleaning action on the valve seat.

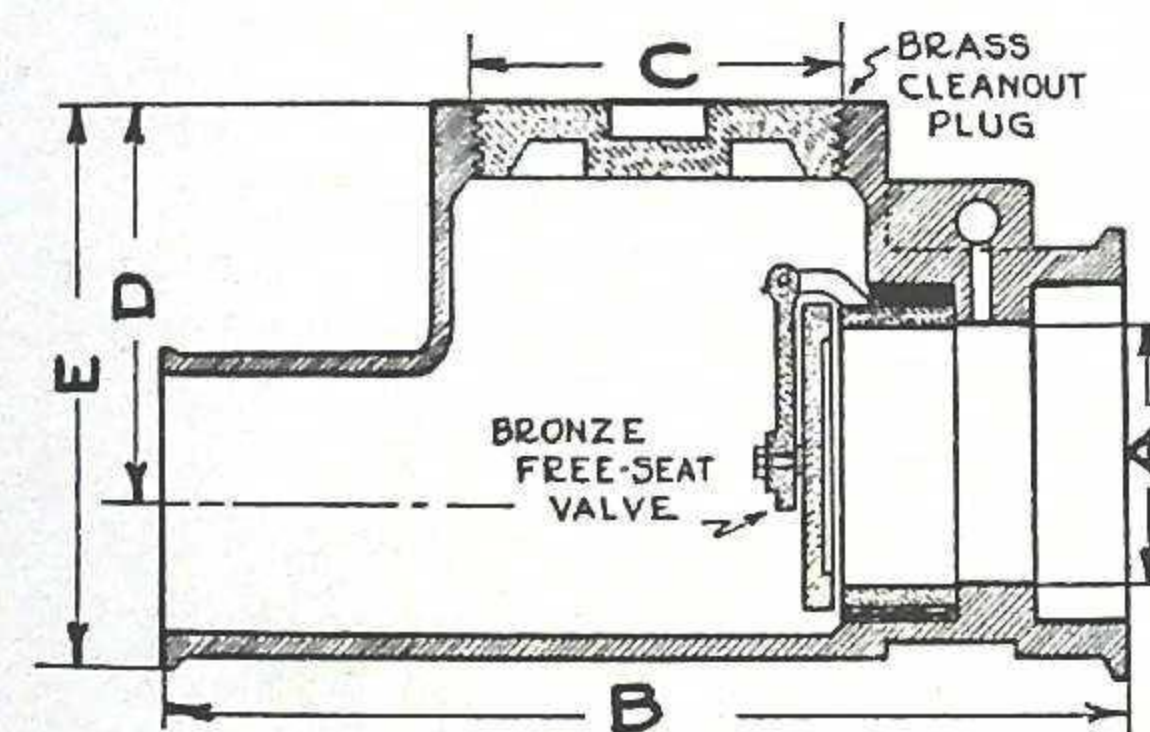
SERIES W-4250

This valve is the same in every detail to the Series W-4200, but is fitted with threaded countersunk cleanout plug of heavy brass, to make a flush installation on the floor.

This type of cover reduces the overall depth of the valve housing, and permits its use in very shallow floors.

BACKWATER VALVE WITH THREADED BRASS CLEANOUT

SERIES W-4250



SPECIFICATIONS AND LIST PRICES

No.	Dimensions					Wt.	Complete	Add for Brass Cover
	A	B	C	D	E			
W-4232	2	17 1/2	6	16 1/2	18	50	\$18.00	\$7.00
W-4233	3	17 1/2	6	16 1/2	19	55	20.00	7.00
W-4234	4	19 1/4	8	18	20 1/4	80	24.00	10.50
W-4236	6	20 1/4	10	21	25	120	31.00	14.00
W-4238	8	25	14	21	25 1/4	185	57.00	17.00
W-4239	9	25	14	21	25 1/4	195	72.00	17.00
W-4240	10	28 1/4	14	22	27 1/2	300	87.00	17.00
W-4242	12	34 1/2	16	23 1/2	30 1/2			

Other sizes on application.

SERIES W-4250

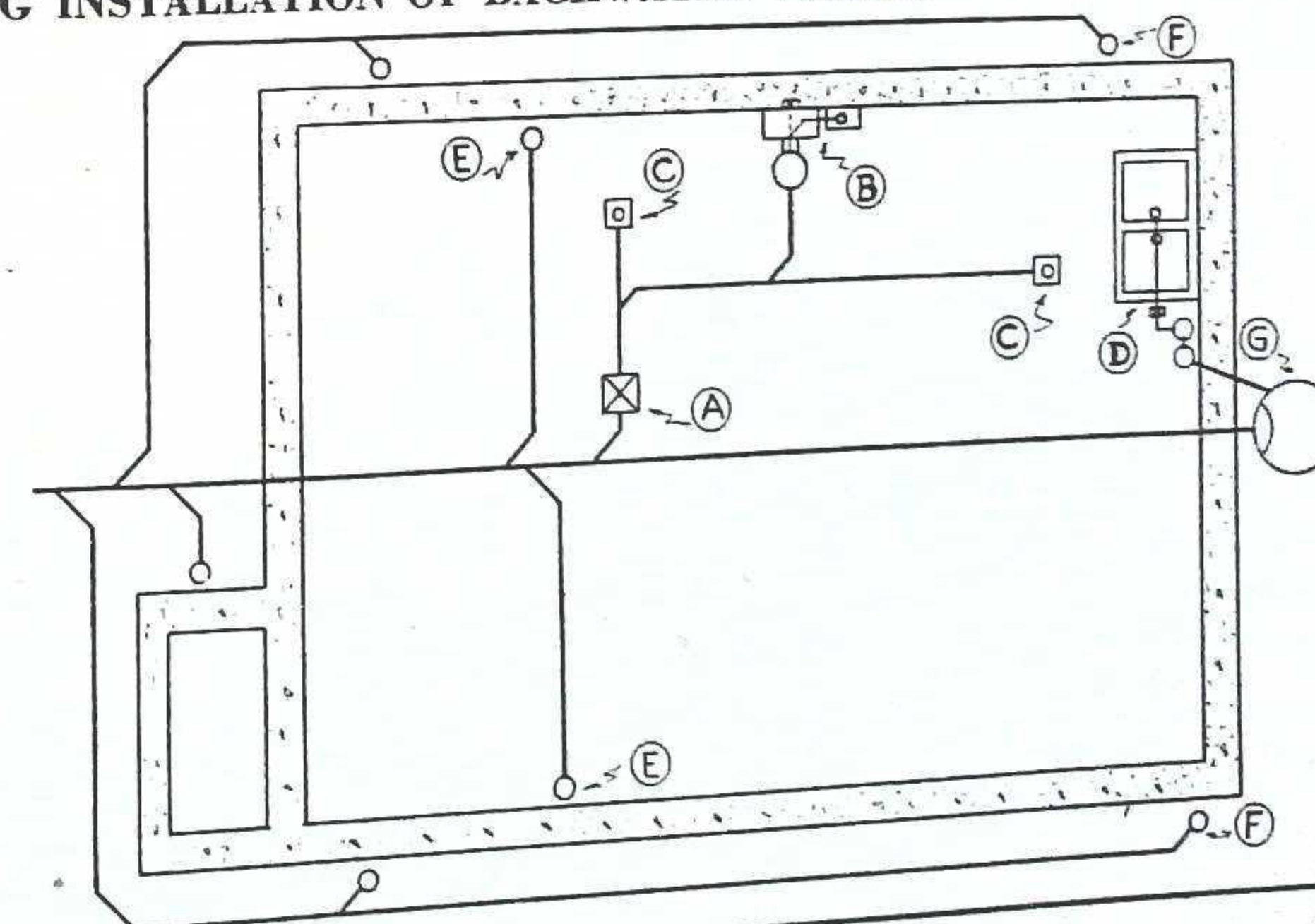
W-4252	2	17 1/2	4	3 3/4	5	30	18.50	
W-4253	3	17 1/2	5	3 3/4	6	35	21.00	
W-4254	4	19 1/4	5	5	7 1/2	55	24.50	
W-4256	6	20 1/4	8	8	12	90	37.00	
W-4258	8	25	10	8	12 1/2	125	61.00	
W-4259	9	25	10	8	12 1/2	130	65.00	

TYPICAL RESIDENTIAL BASEMENT PLAN SHOWING INSTALLATION OF BACKWATER VALVES

The sewer plan shown here is recommended as a positive protection against flooded basements from any cause whatever. All downspouts are directed to the house sewer, and the backwater valve is placed on a branch to protect the basement fixtures and floor drains.

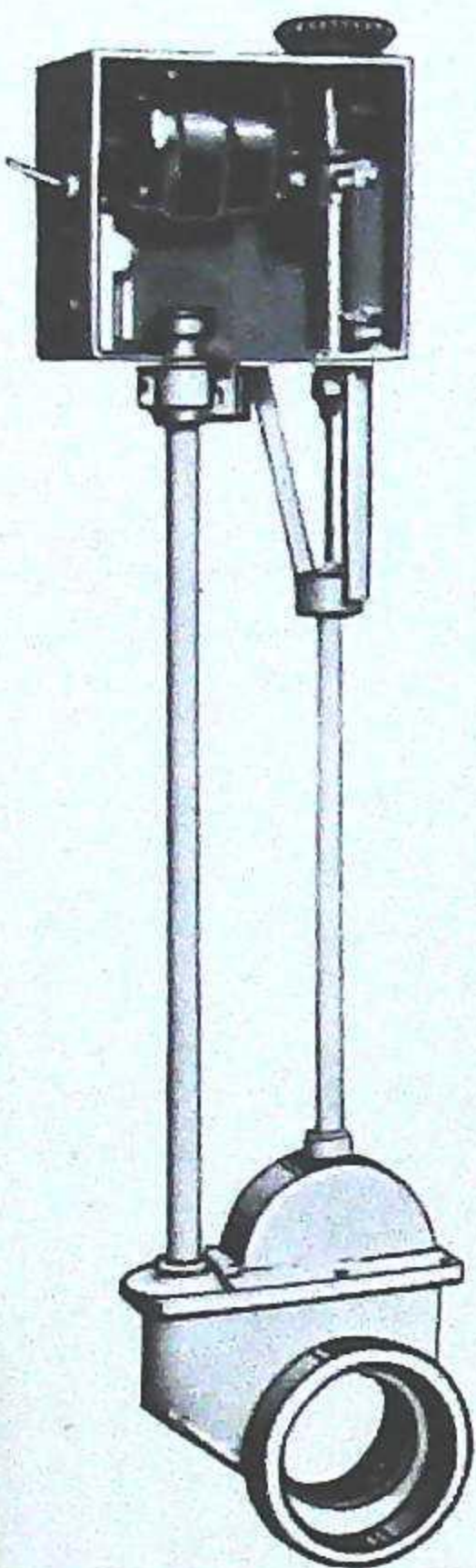
The backwater valve indicated as "A" can be either the "Electro-Valve," Series W-4550, the combination hand-operated lock-out valve Series W-4500, or the regular type Series W-4200 backwater valve.

- A—Backwater Valves (See above).
- B—Basement Fixtures.
- C—Floor Drains (see index).
- D—Laundry Trays.
- E—Soil Stacks from Upper Floors.
- F—Downspouts.
- G—Outside Catch Basin.



AUTOMATIC ALL-ELECTRIC BACKWATER VALVE

SERIES W-4550



The WADE "Electro-Valve" is the only entirely electric sewer valve made, and is designed to prevent the flooding of basements resulting from sewage back-up during heavy rains or from other common causes. The operation of this valve is completely automatic and free from floats, levers, and arms of any kind. It affords an absolute protection against water damage to property in domestic or individual basements.

The "ELECTRO-VALVE" is set in motion as soon as the incoming sewage water reaches a pre-determined level which automatically closes the valve. The house drain is then shut off until the water recedes to a safe level, and the valve then opens.

OPERATION

The "ELECTRO-VALVE" is controlled by an electric relay unit shown as "A" on the detail below. Rising flood water in sewer touches electrode "T" (which can be set at any level desired) and by this contact motor "C" is started, closing down gate valve; the valve then remains closed until the water recedes from the electrode, and the motor then opens the valve. The limit of travel at top and bottom is regulated by means of a mechanical limit shaft of positive action.

The powerful worm driven shaft will force the bronze gate through any obstruction that might be in the sewer, thus eliminating all possibility of stoppage.

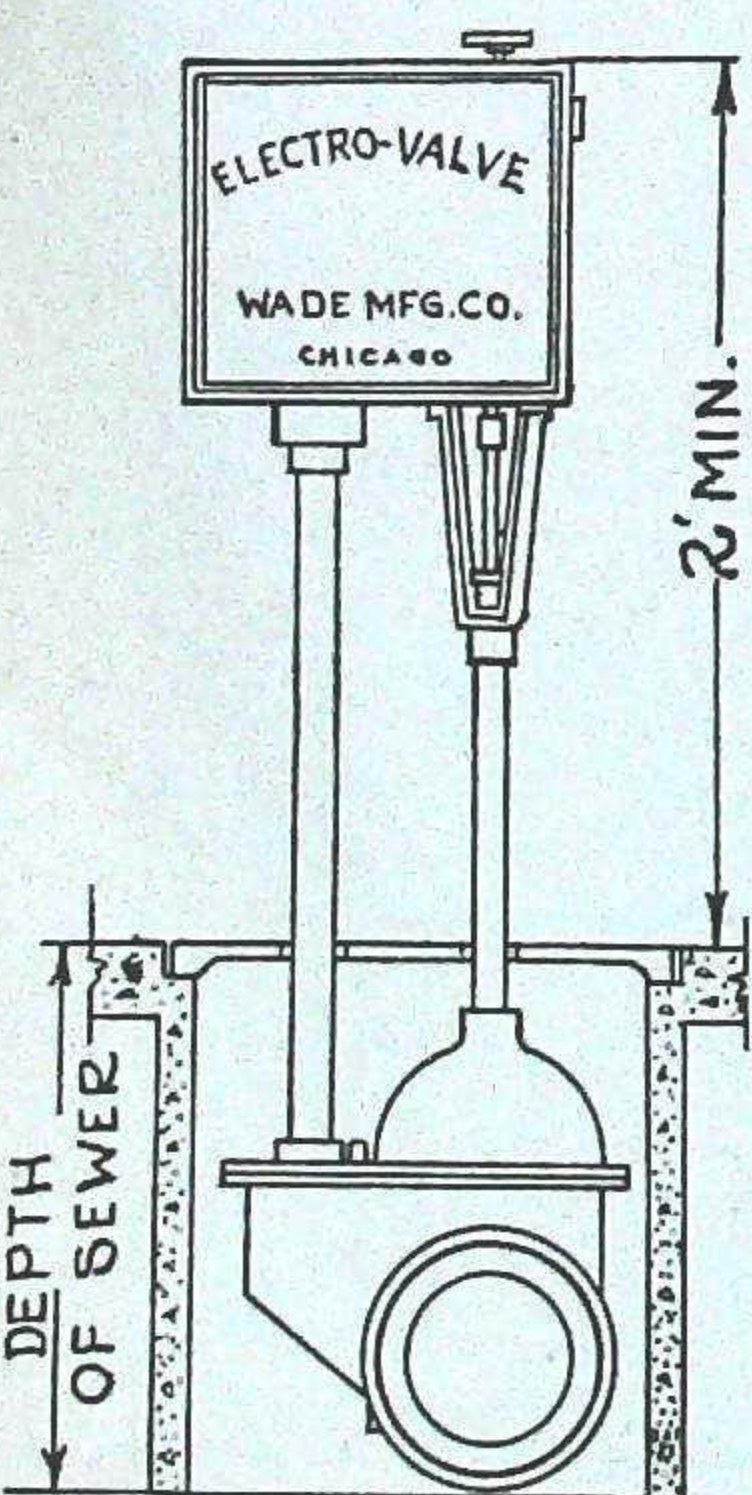
CONSTRUCTION

All moving parts including complete valve assembly are of brass and bronze throughout, and the body or housing is of heavy fine grain cast iron. All parts are thoroughly sealed and insulated. Special type motor is equipped with roller bearing shaft to insure long life. The patented mechanical travel limit shaft eliminates the need of a reversible motor.

Valve body is regularly furnished with hub inlet and outlet.

List Price, 6" Size.....\$300.00

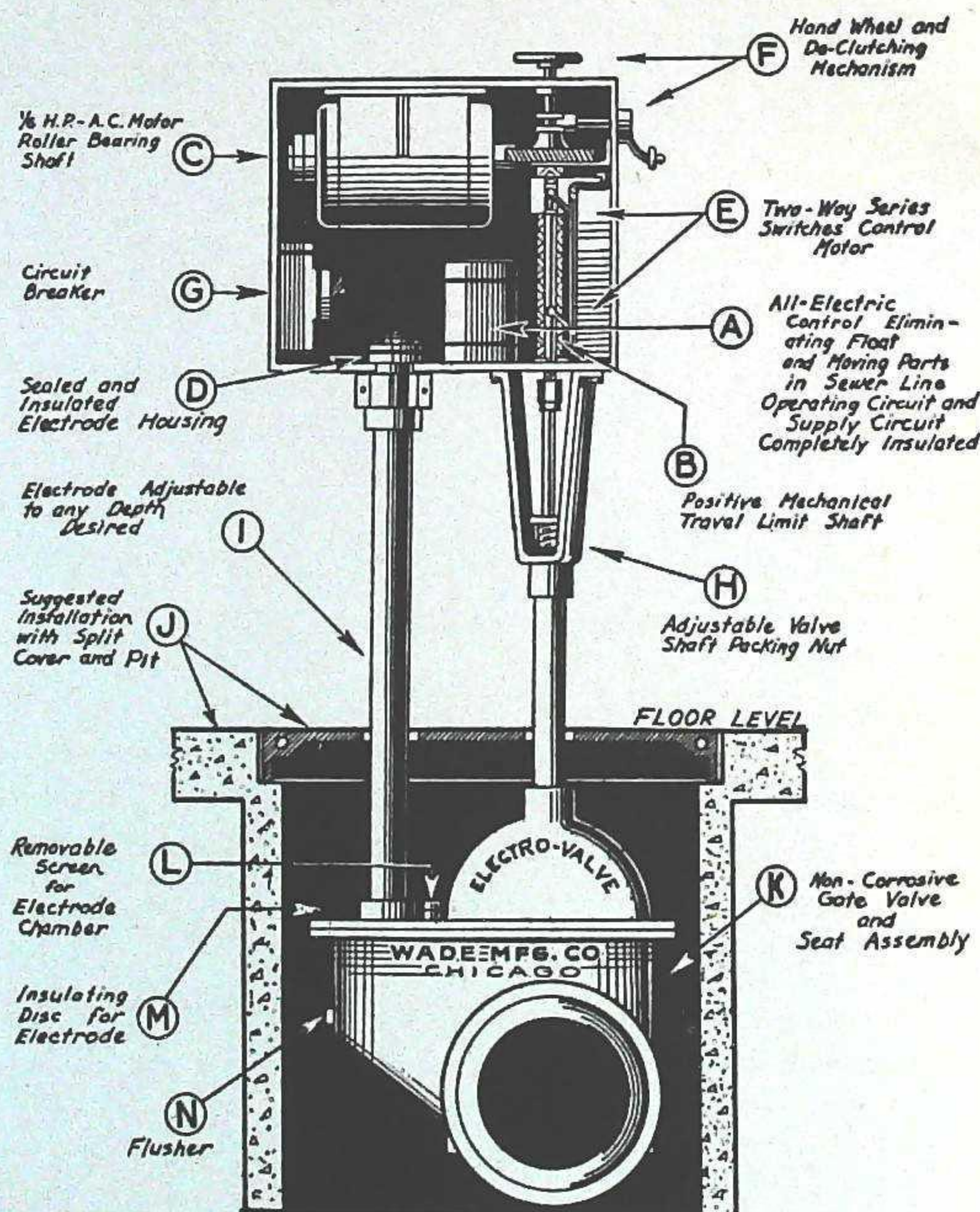
DETAILS OF CONSTRUCTION AND INSTALLATION



All parts of the "ELECTRO-VALVE" are here illustrated and fully indicated, and the valve is delivered complete in every way, it being only necessary to plug into nearest electrical outlet.

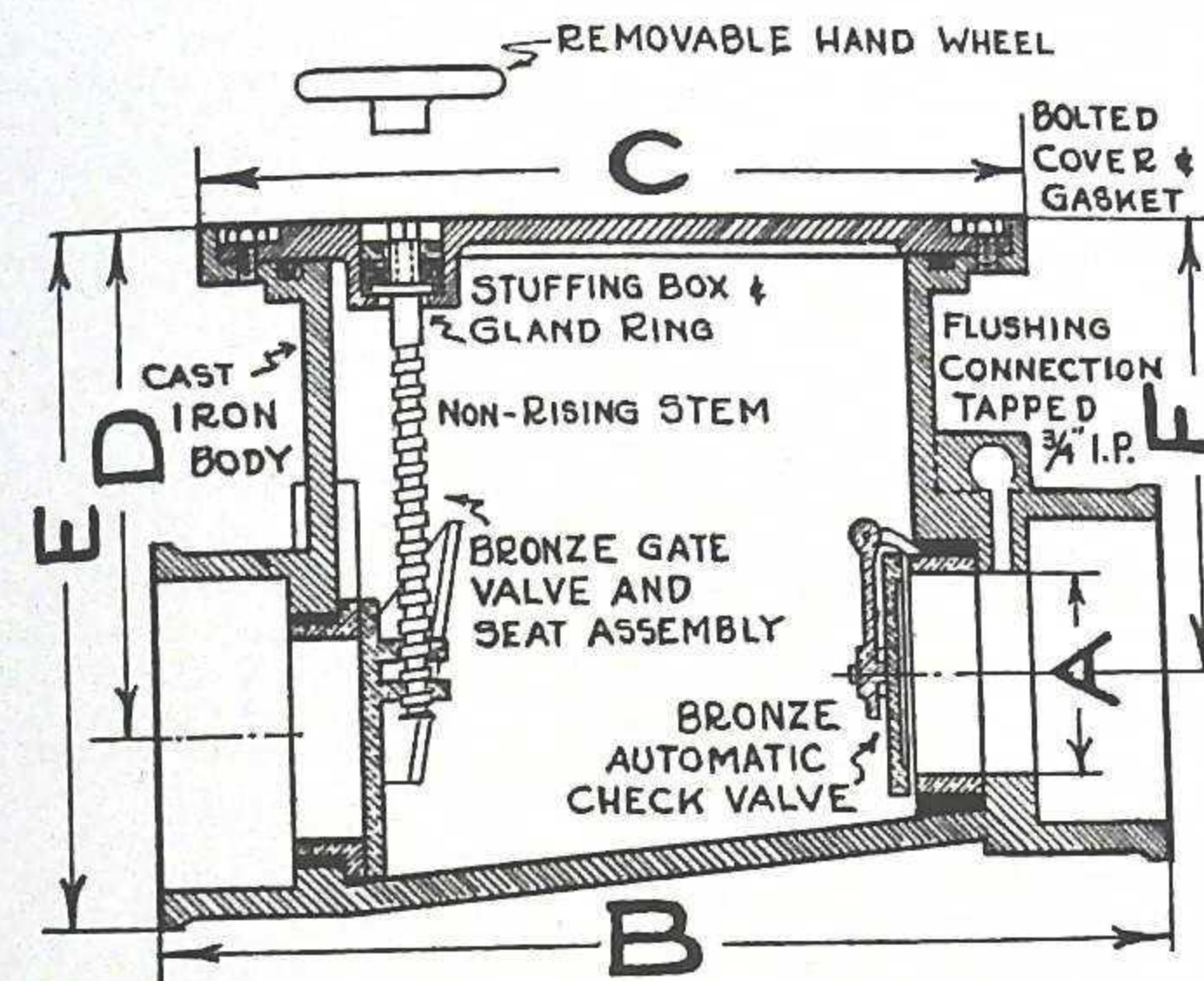
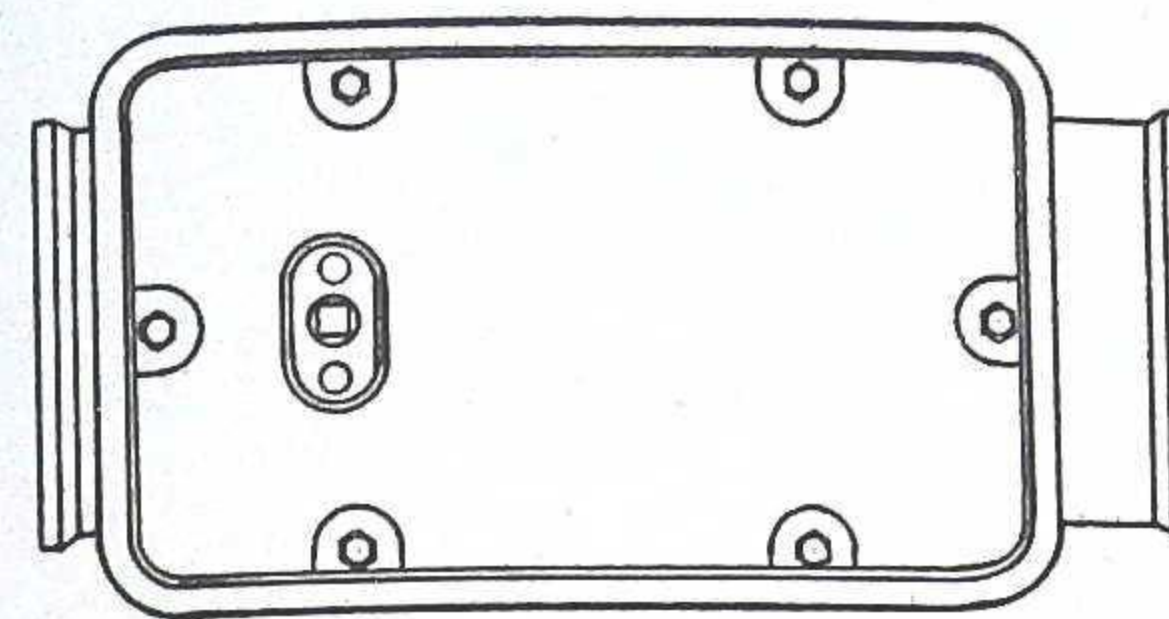
Elevation on left gives the approximate dimensions of a correct installation, and should be followed. When ordering, give depth of sewer so that electrode will be of proper length. Valve should be set so that control box is at least two feet above floor level. In shallow sewer conditions the use of the pit shown will not be necessary, but a wall bracket should be used as a support.

Where possible, valve should be placed in branch sewer to protect basement fixtures—see typical lay-out on page 37.



COMBINATION LOCK-OUT BACKWATER VALVE

SERIES W-4500



This type of valve combines the positive action of a gate valve with the automatic protection of a regular check valve, and is recommended to be installed wherever there is the hazard of basements flooding from any cause whatever. The automatic valve will close on the slightest back pressure of sewage, and the gate valve may be closed for any period of time desired, thus affording double protection at low cost.

Frequently the property saved during one storm pays for the valve many times over, and its use permits the full enjoyment of a modern basement as a playroom, den, bar room, etc., with complete safety.

CONSTRUCTION

The body is of extra heavy cast iron with watertight cover and gasket. The automatic check valve is our regular type W-4840 fully described on page 41, and is cast of highest grade bronze. The gate valve is of the wedge type, accurately machined to a perfect seat. The valve stem controlling this valve is the non-rising type fitted with a removable hand wheel, and can be extended to any length desired. It should be noted that the valve stem is so designed that when gate valve is completely open there is no part projecting into the sewer to act as an obstruction—an exclusive feature of this WADE LINE valve.

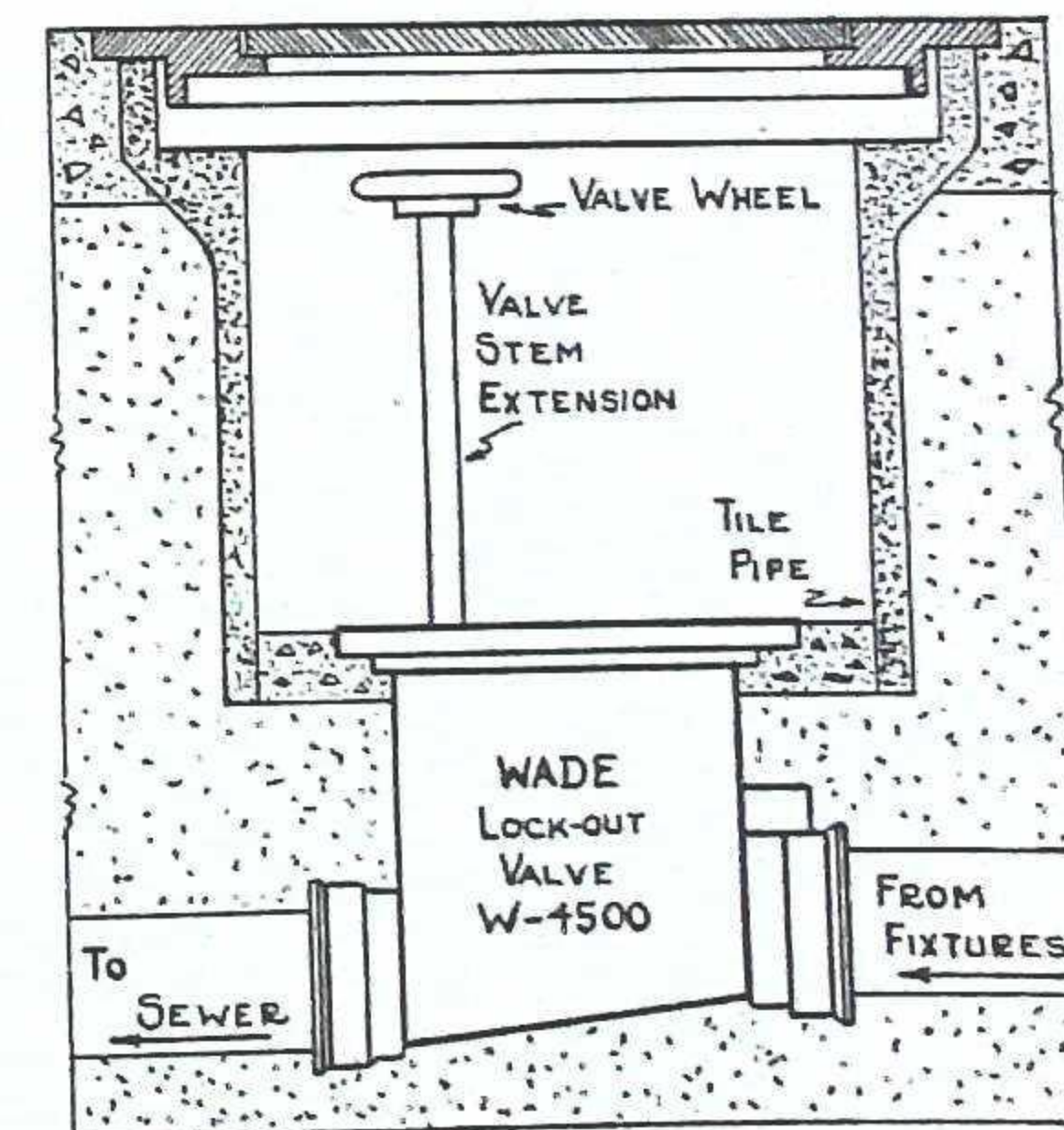
SPECIFICATIONS AND LIST PRICES

No.	Dimensions						Wt.	Cast Iron	
	A	B	C	D	E	F		Black	Galv.
W-4504.....	4	20	14½	10	13½	9	130	\$70.00	\$105.00
W-4506.....	6	20	16½	10	13½	9	150	80.00	120.00

TYPICAL INSTALLATION OF LOCK-OUT VALVE

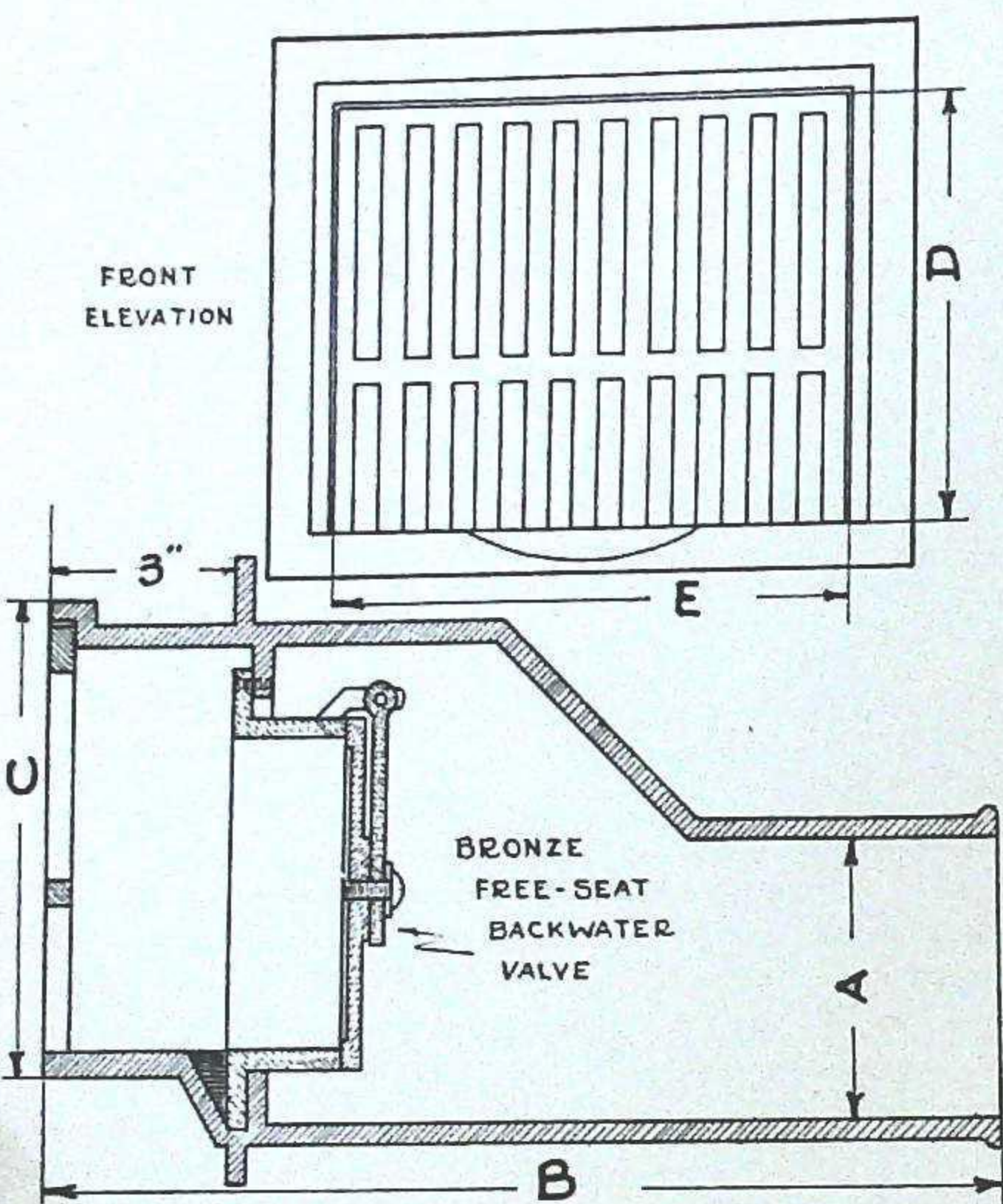
Valve is fitted with hub inlet and outlet for use directly in house drain. When the sewer is some distance below floor level it is advisable to construct a small pit around the valve so that it may always be accessible for occasional cleaning.

The accompanying detail shows this method, and the sump indicated can be either tile or iron with removable loose iron cover.

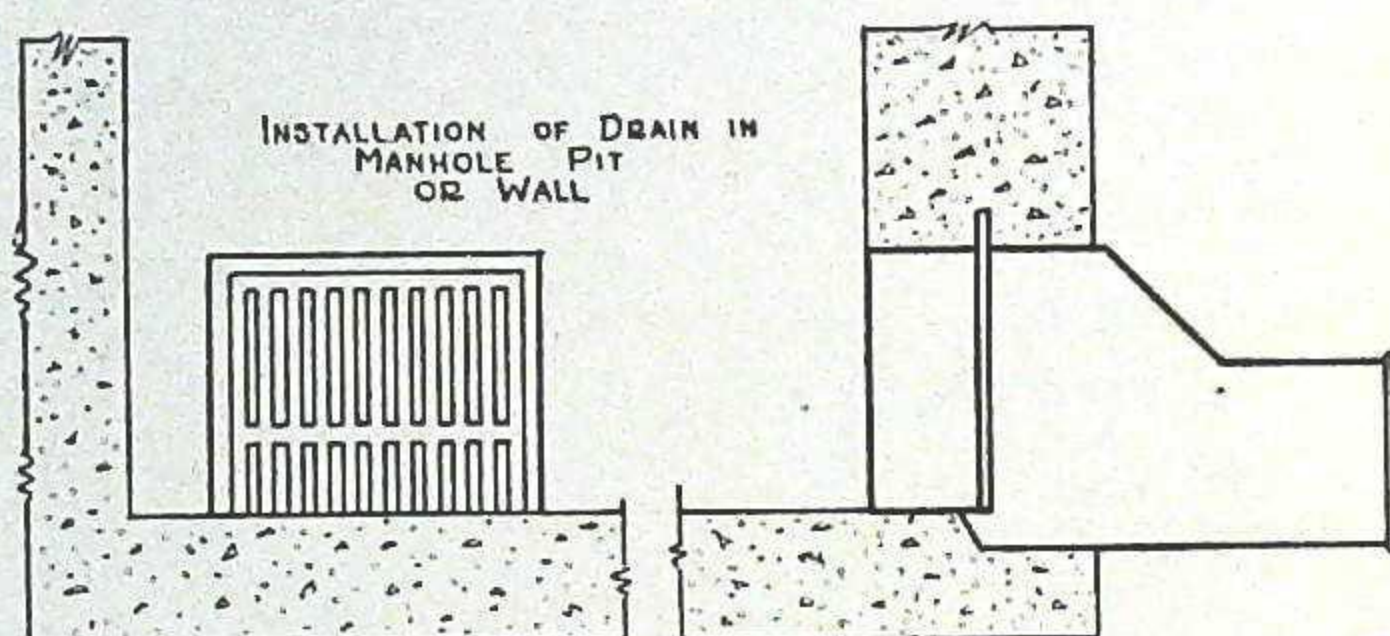


MANHOLE AND WALL DRAIN WITH BACKWATER VALVE

SERIES W-4600



- **RECOMMENDED USES:**
 - (1) Designed especially for use in electric conduit and telephone cable manholes and pits subject to backwater or flood conditions.
- **STANDARD CONSTRUCTION:**
 - (1) Heavy cast iron body and removable grate, and fitted with all-bronze "Free-Seat" backwater valve. Rectangular grate is bolted to body, and is quickly removable.
 - (2) Spigot outlet for soil pipe, but threaded outlet can be furnished.
- **SPECIAL CONSTRUCTION:**
 - (1) Brass grate and rim furnished at extra cost.
 - (2) Clamping device furnished at extra cost.
- **FEATURES:**
 - (1) Drain is designed to set flush with pit floor allowing rapid discharge of all water in pit.
 - (2) This drain without the valve makes an ideal side outlet drain of maximum orifice.
 - (3) For use as a swimming pool outlet drain, see page 26.



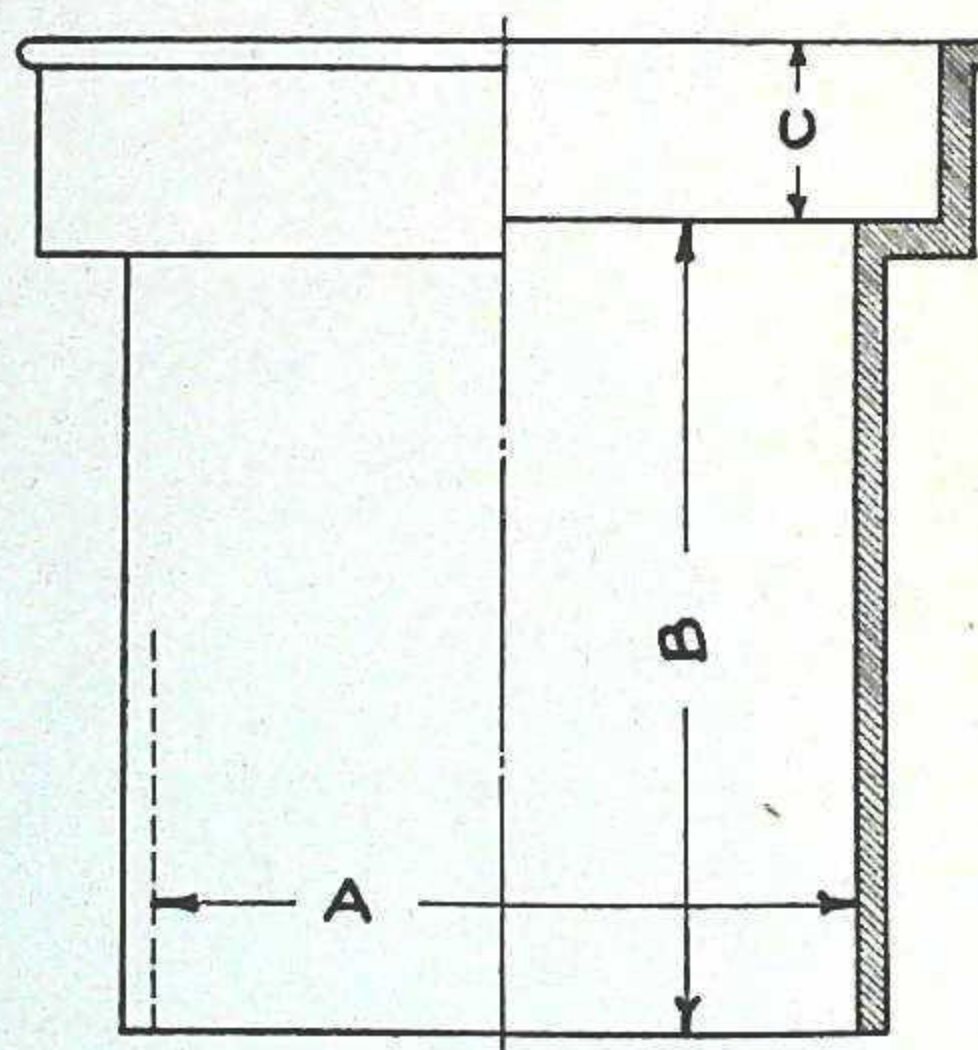
SPECIFICATIONS AND LIST PRICES

No.	Dimensions					Wt.	Cast Iron		With Brass Grate	
	A	B	C	D	E		Black	Galv.	Black	Galv.
W-4604	4	17	7 1/2	7 1/2	9	45	\$24.50	\$36.50	\$32.00	\$44.00
W-4605	5	19	9 1/2	9 1/2	11	50	34.50	48.50	44.50	58.50
W-4606	6	19	9 1/2	9 1/2	11	55	34.50	48.50	44.50	58.50
Deduct for 4" Valve							9.50	9.50	9.50	9.50
Deduct for 5" Valve							11.00	11.00	11.00	11.00
Deduct for 6" Valve							12.00	12.00	12.00	12.00

CAST IRON EXTENSIONS FOR BACKWATER VALVES AND BASINS

SERIES W-4650

- **RECOMMENDED USES:**
 - (1) Designed in all sizes for use with "WADE LINE" valves and basins, making it possible to extend them to floor level for ready access regardless of sewer depth.
- **STANDARD CONSTRUCTION:**
 - (1) Heavy cast iron throughout, and made in any length required.
 - (2) Regularly furnished in lengths indicated. Refer to detail for exact method of determining length wanted.
- **FEATURES:**
 - (1) With these extensions all basins and valves can be readily inspected or cleaned regardless of depth of sewer.

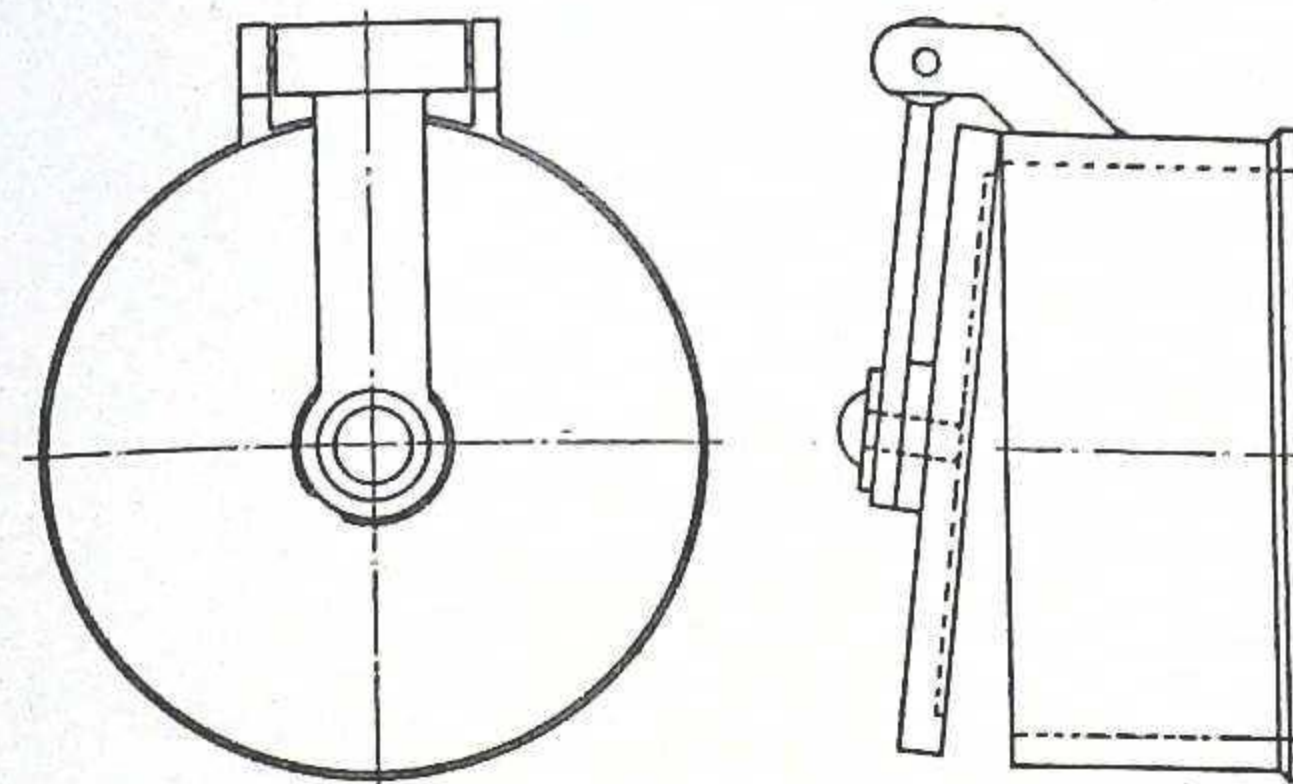


SPECIFICATIONS AND LIST PRICES

Dimensions	Wt.	Cast Iron	
		Black	Galv.
6	20	\$6.00	\$ 9.00
8	25	7.00	10.00
10	30	8.00	12.00
14	60	12.00	18.00
14	100	15.00	22.50
14	110	18.00	27.00
18	75	16.00	24.00
18	110	25.00	37.50
18	150	30.00	45.00
18	180	35.00	52.50

"FREE-SEAT" DISC TYPE CHECK VALVES

SERIES W-4840



- **STANDARD CONSTRUCTION:**
 - (1) This type of valve is used in all WADE LINE products shown in this catalog.
 - (2) Cast of heavy, highest grade bronze with revolving "Free-Seat" disc, accurately machined to perfect seat.
 - (3) Valve is designed to hang slightly open, yet will close on least back pressure. Rotating disc has cleaning effect on seat.
- **SPECIAL CONSTRUCTION:**
 - (1) All parts may be cast in other metals if desired for unusual purposes.
 - (2) Polished brass exterior when so ordered.

SPECIFICATIONS AND LIST PRICES

No.	Size	All Bronze		
		Spigot End	Flanged End	Threaded End
W-4802	2	\$4.50	\$5.50	\$6.50
W-4803	3	7.00	8.00	9.00
W-4804	4	9.50	10.50	11.50
W-4806	6	12.00	13.00	14.00
W-4808	8	16.00	17.50	19.00
W-4810	10	28.00	30.00	32.00
W-4812	12	44.00	46.00	49.00

Larger sizes on application.

"FREE-SEAT" DISC TYPE VALVE WITH HOUSING

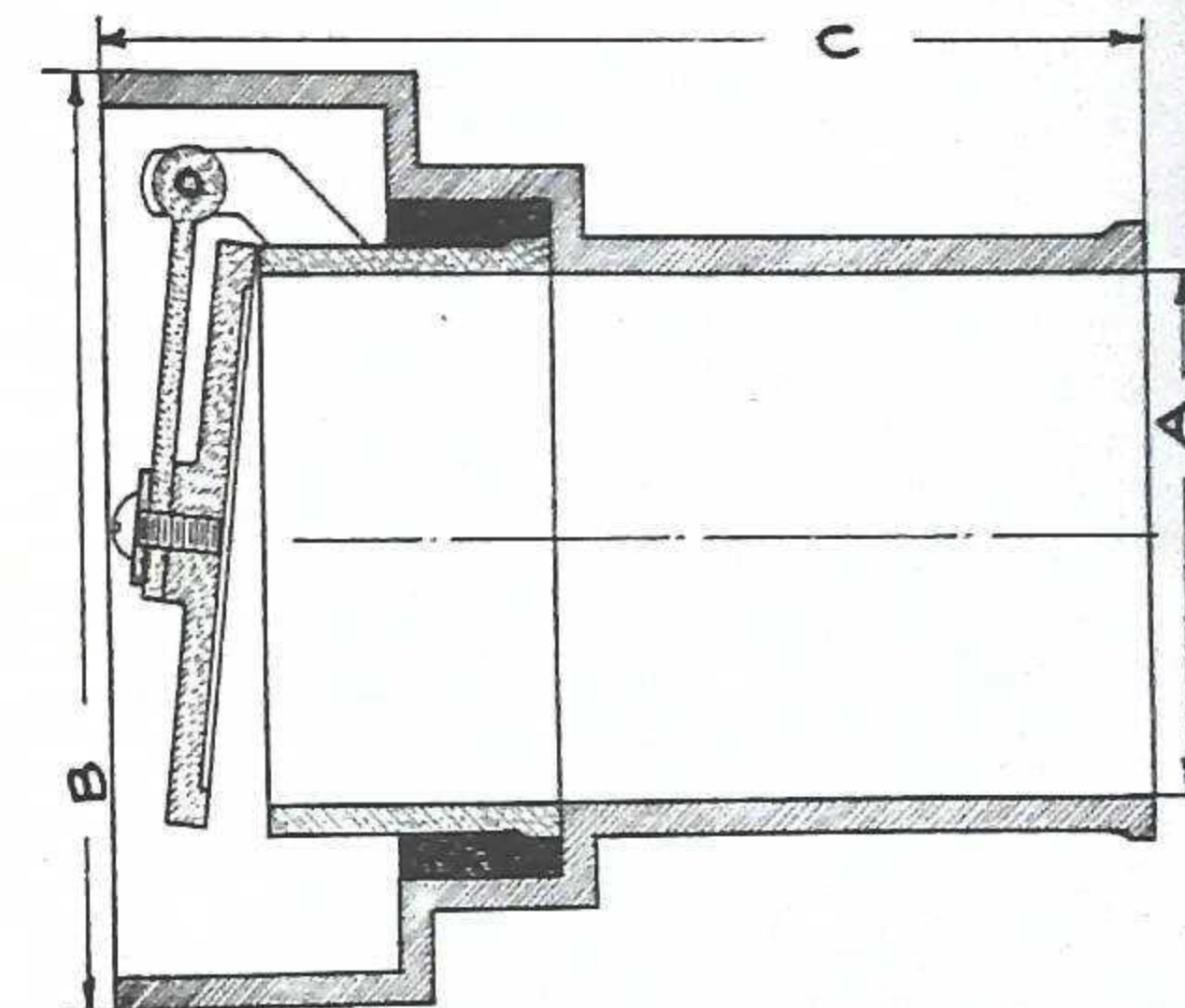
SERIES W-4850

- **RECOMMENDED USES:**
 - (1) At discharge end of sewers and at sewer intersections as safeguard against sewage back-up.
 - (2) Also valuable in sewage disposal plants.
- **STANDARD CONSTRUCTION:**
 - (1) Same as Series W-4840 above but with heavy cast iron housing around valve to make it easily installed.
 - (2) Spigot end for caulking into pipe hub.
- **SPECIAL CONSTRUCTION:**
 - (1) Flanged end furnished at extra cost.
 - (2) Hub end where required.

SPECIFICATIONS AND LIST PRICES

No.	Dimensions			Wt.	Cast Iron with Bronze Valve	
	A	B	C		Spigot End	Threaded End
W-4842	2	5	10	10	\$9.50	\$10.00
W-4843	3	6 1/2	10	20	10.50	11.25
W-4844	4	7 1/2	10	25	12.50	14.00
W-4846	6	9 1/2	10	40	17.00	19.00
W-4848	8	11 1/2	10	60	30.00	33.00

Larger sizes on application.



FRESH AIR INLET AND EMERGENCY DISCHARGE VALVE

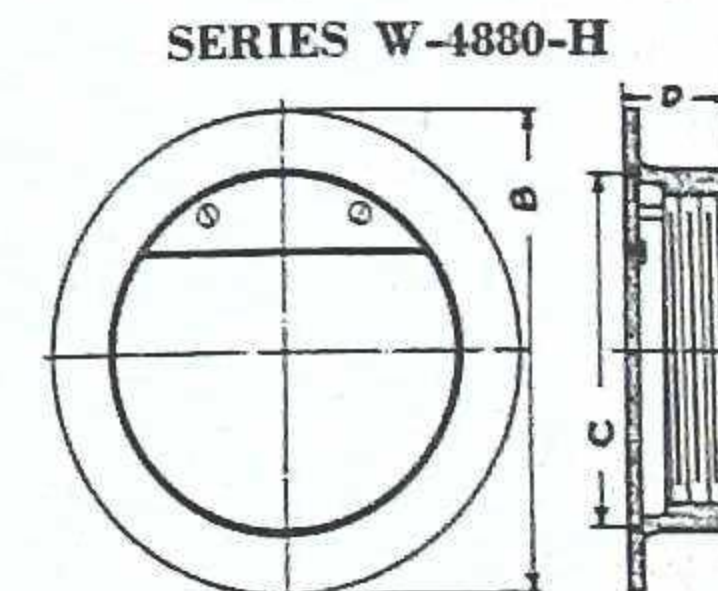
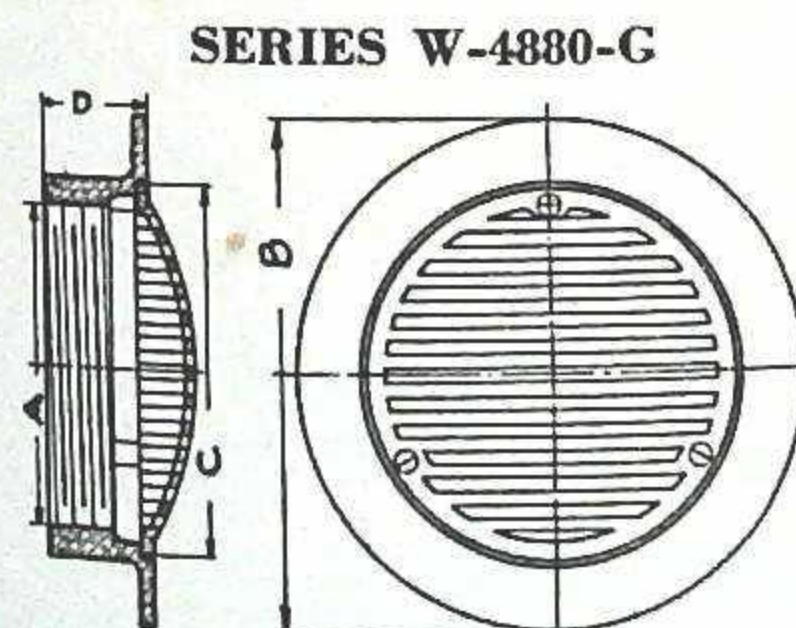
- **RECOMMENDED USES:**
 - (1) Series W-4880-G is used as air inlet into boiler rooms, laundries, etc.
 - (2) Series W-4880-H is identical except that a solid, brass hinged plate is used in place of the grate, and is used as emergency discharge valve for use in connection with pumps of any kind.
- **STANDARD CONSTRUCTION:**
 - (1) Both types are of all-bronze construction throughout, and are furnished with polished finish.
 - (2) Grate or hinged plate are both easily removable.
 - (3) Female threaded outlet furnished on both types.

SPECIFICATIONS AND LIST PRICES
SERIES W-4880-G

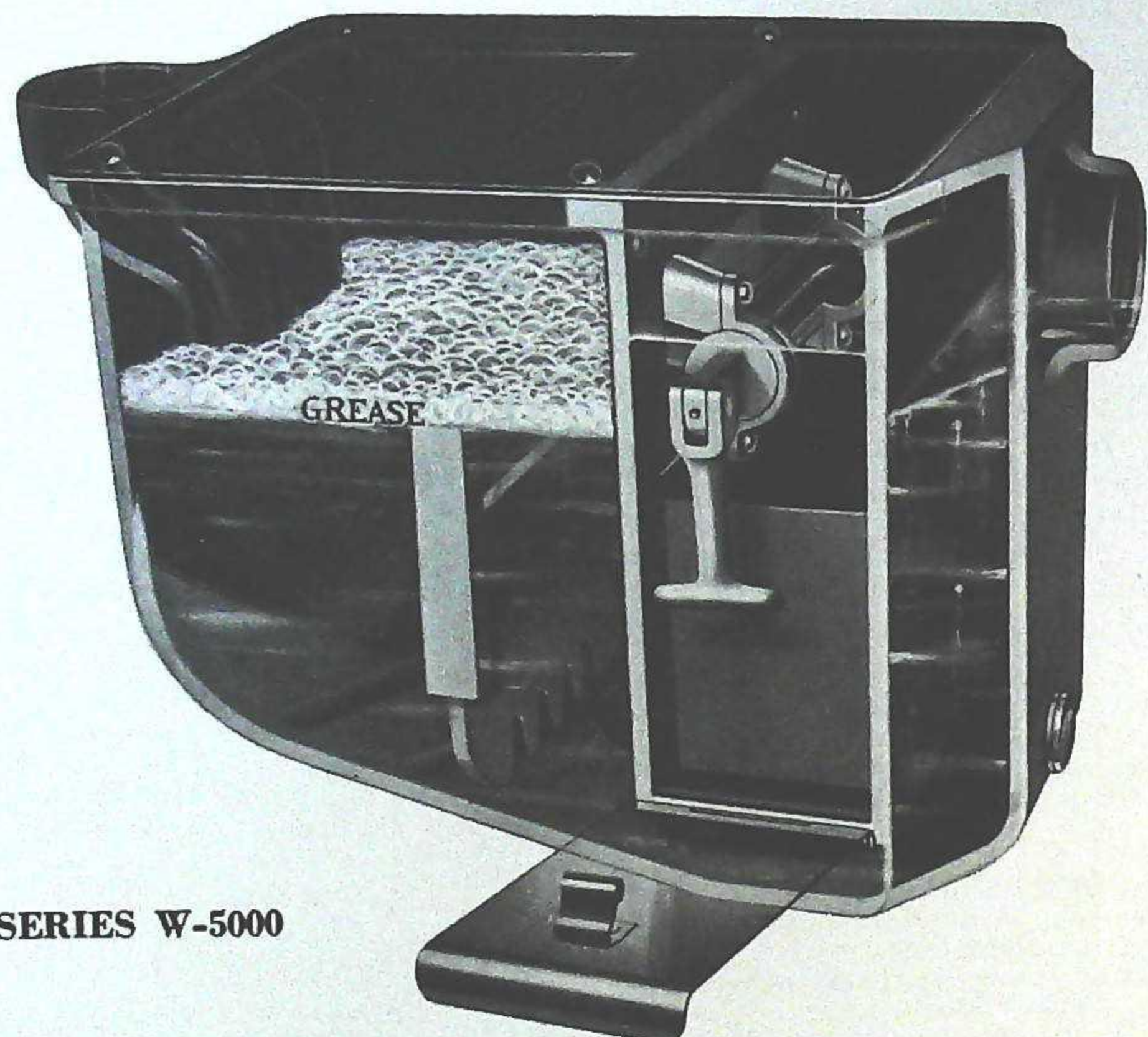
No.	Dimensions				Cast Brass	
	A	B	C	D	Polished	Chromium Plated
W-4882-G	2	5	2	2	\$9.00	\$11.00
W-4883-G	3	6	4	2	10.50	12.50
W-4884-G	4	7	5	2	11.50	13.50
W-4885-G	5	8 1/4	6	2	15.00	17.00
W-4886-G	6	9 1/4	7	2	18.50	20.50

SERIES W-4880-H

No.	Dimensions				Cast Brass	
	A	B	C	D	Polished	Chromium Plated
W-4882-H	2	5	3	2	\$11.00	\$13.00
W-4883-H	3	6	4	2	12.50	14.50
W-4884-H	4	7	5	2	13.50	15.50
W-4885-H	5	8 1/4	6	2	17.00	19.00
W-4886-H	6	9 1/4	7	2	21.00	23.00



“SELF-SKIM” GREASE INTERCEPTORS



EASILY CLEANED
NO SOILED HANDS
STREAMLINE DESIGN

SERIES W-5000

FEATURES

“Self-Skim” Interceptors are a definite and distinctive advance in the design and manufacture of grease traps. These interceptors operate on the long accepted principle of temporarily halting the flow of waste water from sinks, dishwashers, vats, etc., long enough for the grease to rise to the surface, and then congeal in the storage space provided until removed. This process is accomplished without the need of water cooling, which process, due to possible casting defects, is now considered dangerous to health. The non-water cooled principle has been proved most successful and efficient for many years.

Grease interceptors, regardless of make or design, must depend on the human element for most efficient performance. All traps must be cleaned at frequent intervals or else their utility is lost. To clean a trap is a most disagreeable task and as a result few traps are cleaned frequently enough. “Self-Skim” interceptors provide this missing link long sought for in grease trap design. These new, improved, patented interceptors are equipped with the exclusive self-skimming device which enables anyone to clean the trap in a moment without the usual task of taking off covers, bolts, gaskets, etc., in order to ladle out the accumulated grease. The “Self-Skim” interceptor can be cleaned without even soiling the hands.

OPERATION

The “Self-Skim” interceptor is made with two chambers—one in which the grease is collected, and the other in which it is removed. Grease removal is accomplished by means of an all-brass,

QUICKLY CLEANED
NO ODORS
LOWER MAINTENANCE COST

machined, self-cleaning valve placed in the wall between the two chambers. When it is desired to clean the trap the door on the side is opened, the valve handle lifted and turned one-quarter turn. The accumulated grease is thus discharged through the valve into the receptacle in the removal chamber. The bucket is then removed, emptied, and put back in the chamber. The door cannot be shut until the valve is turned to the closed position.

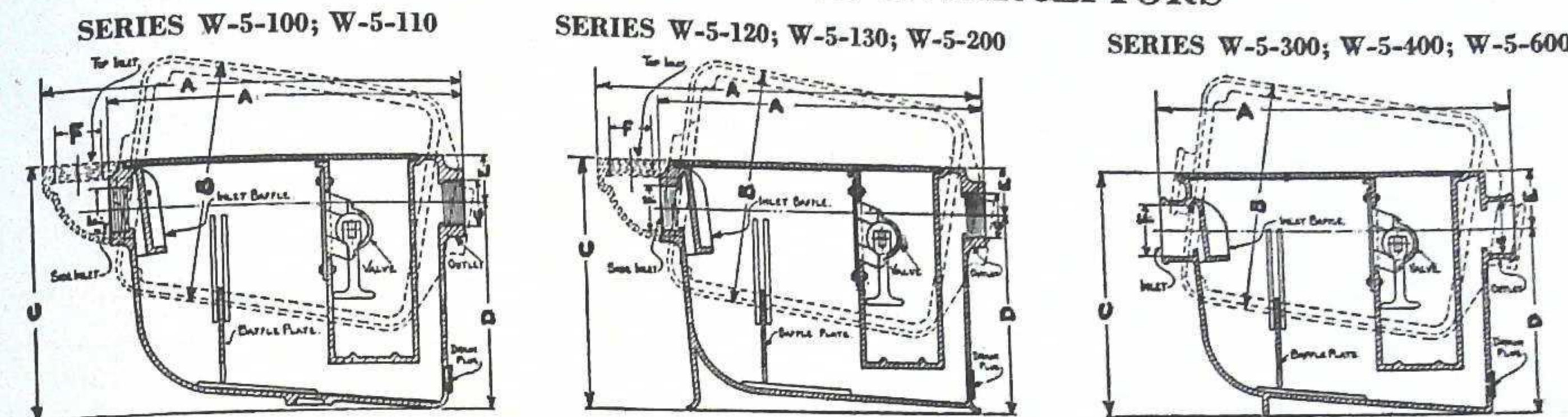
Due to the ease and speed with which the grease may be removed from the “Self-Skim” interceptors, the cost of maintenance is reduced to a minimum, and chance of neglect is almost non-existent. The intercepted grease and fat from these traps has a value which in time will pay for the installation.

USES

The clean, trim lines of the “Self-Skim” traps have no dirt gathering corners or angles, and as a result fit harmoniously with any kitchen fixture lay-out. There are no supports necessary, as the trap is designed to set squarely on the floor, and needs no adjusting legs. The apron on all sides helps keep the surrounding floor clean.

It is most important that grease be intercepted where there is a septic tank on the installation, and also in large cities where there are sewage disposal plants. Grease in any form seriously interferes with the efficient operation of these plants. The “Self-Skim” interceptor is therefore a sanitary necessity either in homes or in industrial plants, and there are sizes available for all purposes.

“SELF-SKIM” GREASE INTERCEPTORS



RECOMMENDED USES:

- For small residence and kitchenette sinks: Series W-5-100 with bracket support and top inlet; Series W-5-110 with bracket support and end inlet; Series W-5-120 with flat bottom and top inlet; Series W-5-130 with flat bottom and end inlet.
- For small restaurant and large residence sinks: Series W-5-200, end inlet only.
- For restaurants, hotels, dishwashers, etc.: Series W-5-300 as shown.
- For large restaurants, hotels, large dishwashers and sinks: Series W-5-400 as shown.
- For large kitchens in hospitals, restaurants, hotels, etc., where outlets of units can be drawn to central interceptor: Series W-5-600 as shown.

STANDARD CONSTRUCTION:

- Cast iron body with white enamel finish inside and outside; removable cover with gasket; removable baffle plate.
- Removable black japanned grease bucket.
- All-brass valve and handle.
- Hinged plated valve chamber door; this door cannot be shut until valve is closed.
- See table for types of inlet and outlet connections, and see detail below for location of valve chamber door.

SPECIAL CONSTRUCTION:

- Cadmium plated finish at extra cost.
- Porcelain enamel finish at extra cost.
- Adjustable wall brackets for W-5-100 and W-5-110 at \$2.00 extra list.

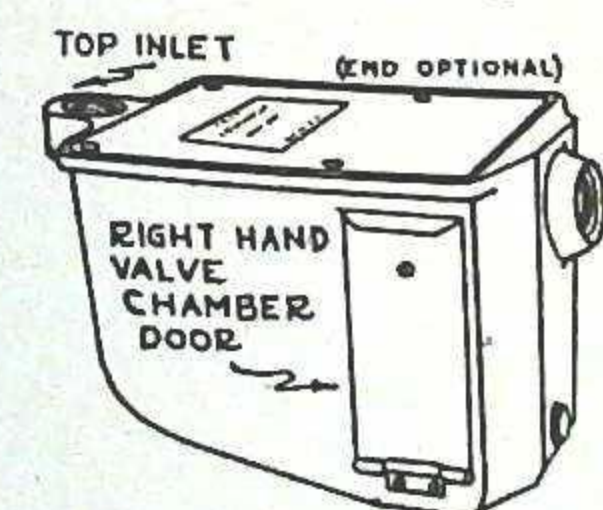
SPECIFICATIONS AND LIST PRICES

Type No.	A	B	C	D	E	F Inlet	G Outlet	Pipe Conn.	Inlet	Net Weight Lbs.	Flow Gallons Per Hour	Gallons Below Water Level	Fat Capacity Lbs.	List Price
W-5-100	15 1/2	9	9 3/8	7 1/2	1 3/8	1 1/2	1 1/2	Tap	Top	50	200	1 1/2	20	\$ 30.00
W-5-110	13	9	9 3/8	7 1/2	1 3/8	1 1/2	1 1/2	Tap	End	50	200	1 1/2	20	30.00
W-5-120	15 1/2	9	9 1/2	7 3/8	1 3/8	1 1/2	1 1/2	Tap	Top	50	200	1 1/2	20	30.00
W-5-130	13	9	9 1/2	7 3/8	1 3/8	1 1/2	1 1/2	Tap	End	50	200	1 1/2	20	30.00
W-5-200	19 1/2	12 1/4	12 1/4	10	2 1/2	3	2	Tap	End	100	400	4	45	60.00
W-5-300	26	16	16 3/8	11 3/8	4 1/2	3	3	Calk	End	175	800	9	85	110.00
W-5-400	33 3/4	22 1/2	20 3/8	14 1/8	6	4	4	Calk	End	390	1000	18	125	175.00
W-5-600	41	28	33	22	11	6	6	Calk	End	650	3000	50	200	400.00

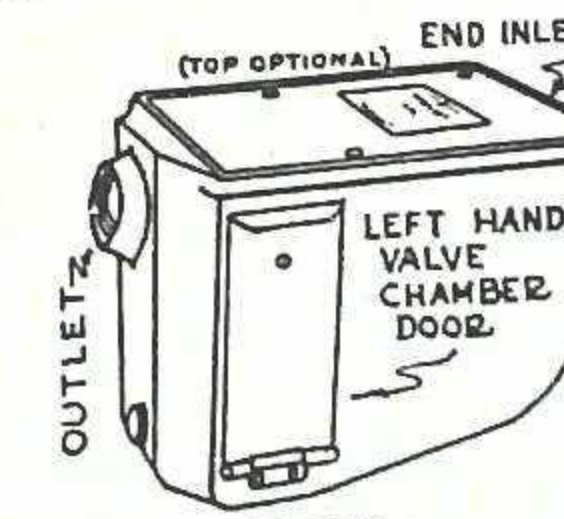
INSTALLATION OF “SELF-SKIM” GREASE INTERCEPTORS

INSTALLATIONS:

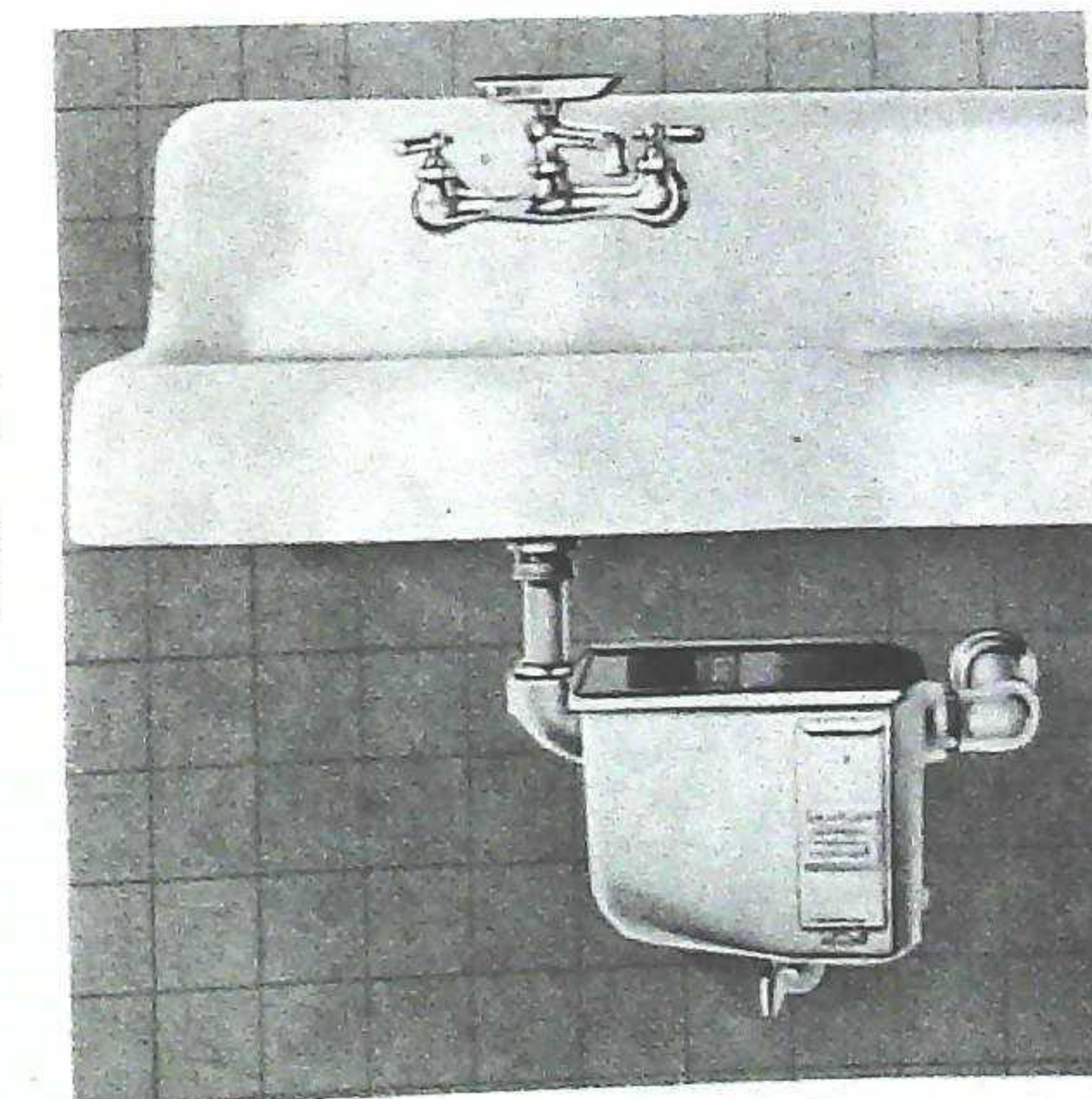
- Series W-5-100 is shown installed under a sink. Note bracket in wall supporting trap.
- Note that top inlet is shown, although end inlet is optional where indicated in table.
- Where large size interceptors are installed in floor slab, slight changes in skimming mechanism are provided for. Full details on application.
- All sizes and types of “Self-Skim” interceptors are supplied with valve chamber door on either right or left hand side. When ordering use door location letters as given below for correct roughing-in.



TYPE RD

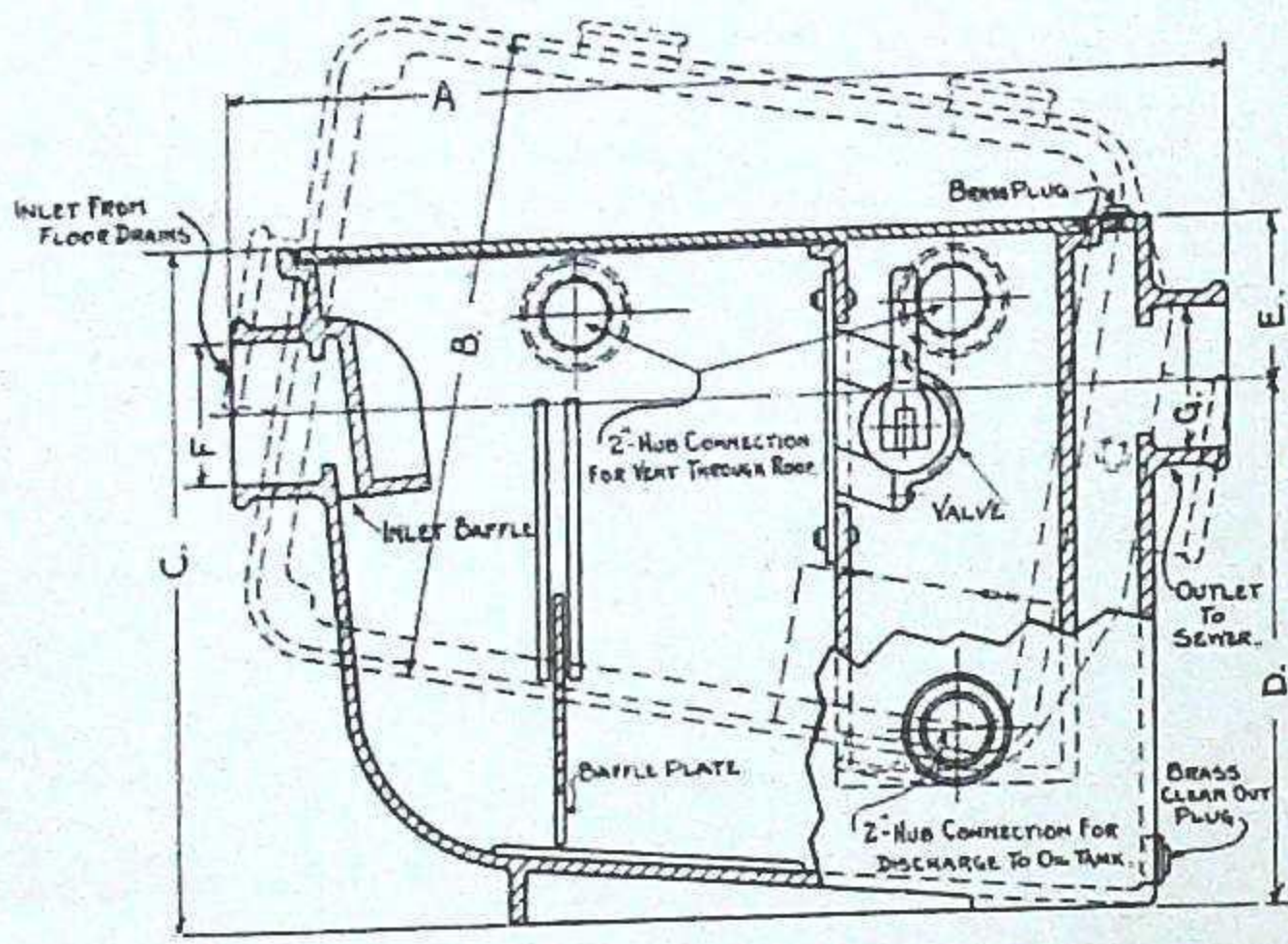


TYPE LD



WADE MANUFACTURING CO.

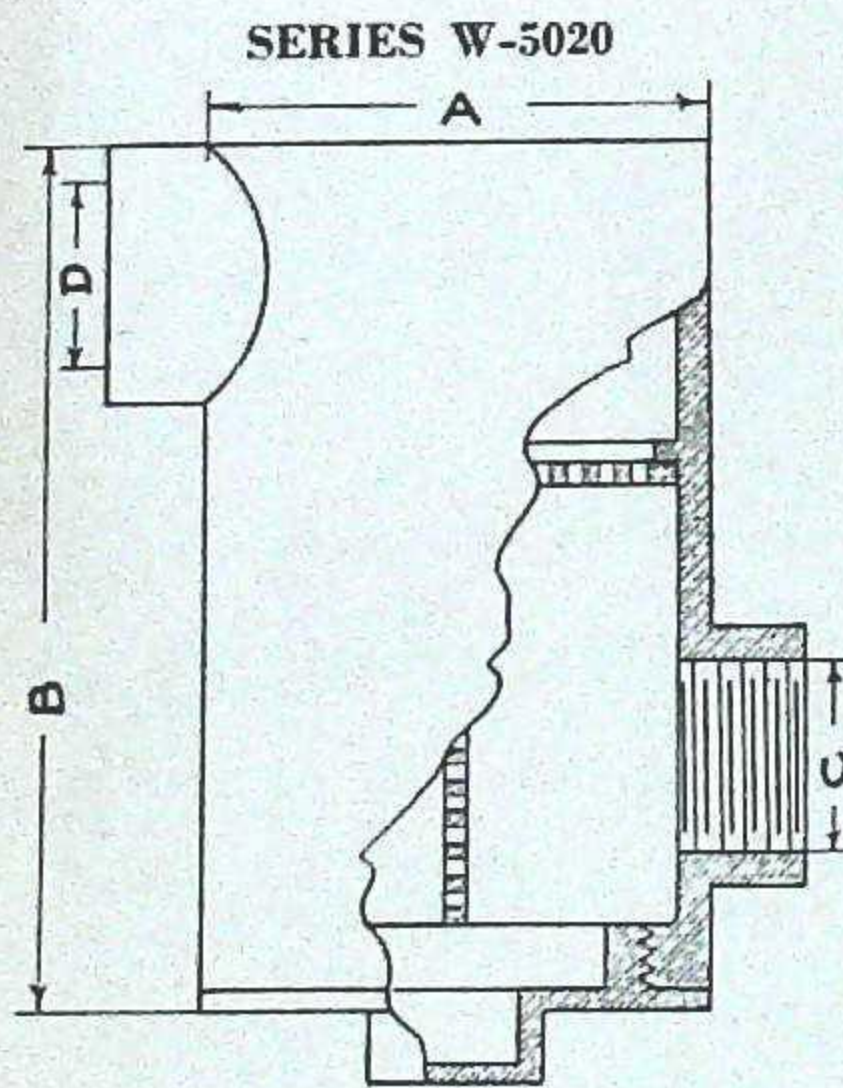
“SELF-SKIM” OIL INTERCEPTORS
SERIES W-5-900



- **RECOMMENDED USES:**
 - (1) "Self-Skim" Oil Interceptors are designed to be placed at the discharge end of sewer lines from garage floors, cleaning and dyeing plants, filling stations, or where oil, gasoline, naphtha, etc., is to be prevented from entering main sewer lines.
 - (2) These Interceptors will meet all requirements where ordinances require the separation of oil and gasoline and other volatile wastes from the main sewers.
- **OPERATION:**
 - (1) Incoming drainage bearing volatile fluids is retained in the separating chamber, and at certain necessary intervals, the all-brass machined valve, fitted into the wall between the two brass chambers in the interceptor. This chamber flow into the second chamber in the interceptor. This chamber is connected to a receiving tank which should be installed at a convenient location in order to reclaim the discharge into it.
 - (2) Both chambers in the Interceptor have a 2-inch vent connection which should be piped to the atmosphere.
- **STANDARD CONSTRUCTION:**
 - (1) Heavy cast iron body with bolted gas-tight cover and gasket; grey enameled finish.
 - (2) All-brass machined oil draw-off valve, operated from top through hinged cover over second chamber.
 - (3) Brass plug cleanouts at top and bottom of Interceptor.
 - (4) 2-inch hub vent connection, and 2-inch hub connection from chamber to receiving tank, unless otherwise specified.

SPECIFICATIONS AND LIST PRICES

Type No.	A	B	C	D	E	F Inlet	G Outlet	Pipe Conn.	Inlet	Net Weight Lbs.	Flow Gallons Per Hour	Gallons Below Water Level	Capacity Lbs.	List Price
W-5-930...	26	16	16 3/8	11 1/8	4 1/2	3	3	Calk	End	175	600	9	85	\$110.00
W-5-940...	33 3/4	22 1/8	20 1/8	14 1/8	6	4	4	Calk	End	390	1000	18	125	175.00
W-5-960...	41	28	33	22	11	6	6	Calk	End	650	3000	50	200	400.00



HAIR AND PLASTER INTERCEPTORS

- **RECOMMENDED USES:**
 - (1) Series W-5020 is designed for use in connection with lavatories in beauty parlors, barber shops, hospitals, etc., to prevent hair from clogging waste lines.
 - (2) Series W-5030 is designed to prevent plaster, cotton, threads, lint, etc., from entering drain pipes.

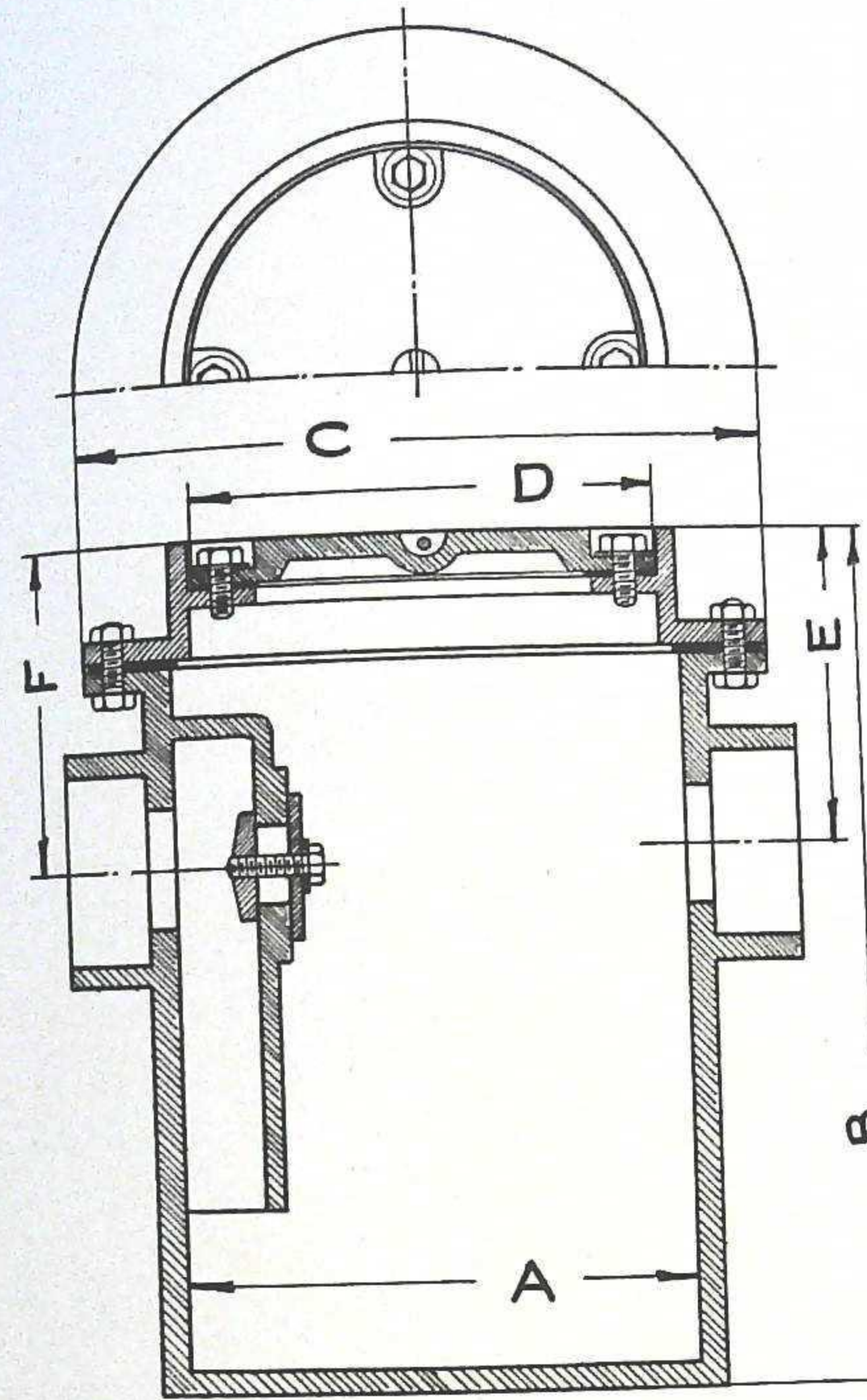
- **STANDARD CONSTRUCTION:**
 - (1) Cast brass body, nickel plated finish; removable brass screen; removable brass cleanout plug.
 - (2) Other finishes at added cost.

- **STANDARD CONSTRUCTION:**
 - (1) Cast iron body and removable cover with gasket; threaded inlet and outlet connections.
 - (2) Removable brass baffle and screen.

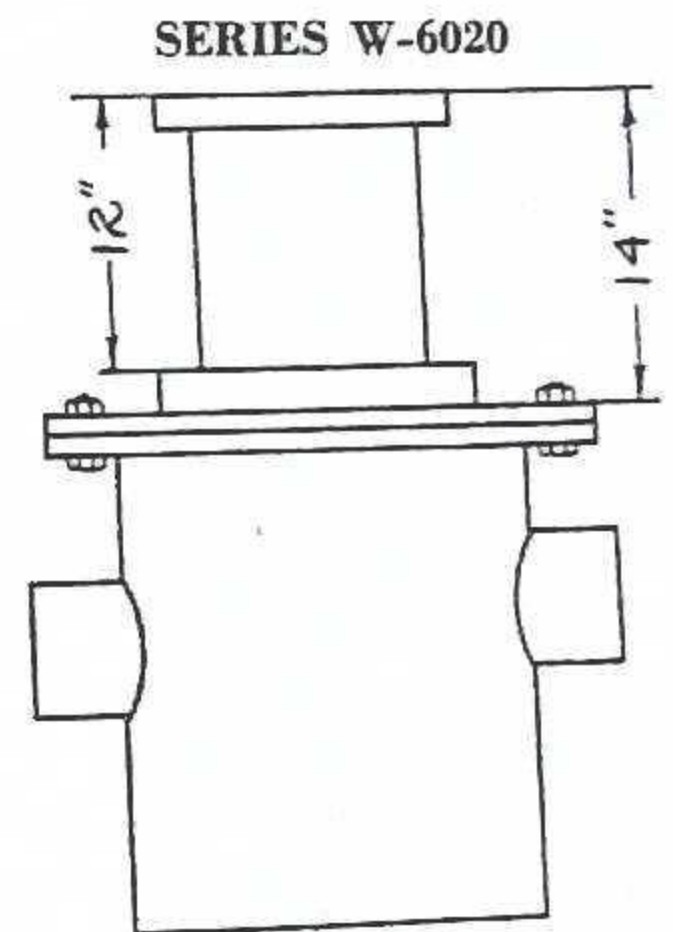
No.	Dimensions				Weight	Painted Enamel	Porc. Enamel	Nickel Plated	Chrome Plated
	A	B	C	D					
W-5020...	4	6 3/4	1 1/2	1 1/2	8			\$16.00	\$20.00
W-5030...	9	12 1/2	2	2	30	\$12.50	\$24.00		

CAST IRON BASINS FOR ALL PURPOSES

SERIES W-6000



- **RECOMMENDED USES:**
 - (1) As settling and intercepting basins to prevent stoppage of sewer or clogging of pumps from any cause whatever.
 - (2) Particularly recommended as interior catch basins, grease basins, gravel basins, sub-soil drainage basins, etc.
 - (3) In place of brick or concrete block basins for any installation, as the cast iron type is far more sanitary, more easily installed, and more economical.
- **STANDARD CONSTRUCTION:**
 - (1) Extra heavy cast iron with bolted gas-tight cover.
 - (2) Unless otherwise ordered, hubs are furnished as shown, for either cast iron soil or sewer pipe. Hub size 4" or 6"
 - (3) Deep seal trap with cleanout furnished on all types unless otherwise ordered.
- **SPECIAL CONSTRUCTION:**
 - (1) Threaded hubs furnished on special order.
 - (2) Additional hubs at any angle furnished when so specified.
 - (3) As shown below, basins are adaptable to receive extensions of any length; standard lengths are priced as shown, and as drawing indicates are 14" overall, including recess into bell of cover.



SPECIFICATIONS AND LIST PRICES

Nominal Size	A	B	C	D	E	F	Wt.	Series W-6000	Series W-6020	Nominal Size	A	B	C	D	E	F	Wt.	Series W-6000	Series W-6020
16x20...	16	20	20	14	10	11	260	31.00	46.00	30x36...	30	36	34	20	10	11	1000	111.00	131.00
16x24...	16	24	20	14	10	11	280	35.00	50.00	30x42...	30	42	34	20	10	11	1100	126.00	146.00
16x30...	16	30	20	14	10	11	300	44.00	59.00	30x48...	30	48	34	20	10	11	1200	138.00	158.00
18x18...	18	18	22	14-20	10	11	260	35.00	50.90	30x54...	30	54	34	20	10	11	1300	152.00	172.00
18x24...	18	24	22	14-20	10	11	300	39.00	54.00	30x60...	30	60	34	20	10	11	1400	166.00	186.00
18x30...	18	30	22	14-20	10	11	340	46.00	61.00	30x66...	30	66	34	20	10	11	1500	177.00	197.00
18x36...	18	36	22	14-20	10	11	380	54.00	69.00	30x72...	30	72	34	20	10	11	1600	189.00	209.00
18x42...	18	42	22	14-20	10	11	420	62.00	77.00	30x78...	30	78	34	20	10	11	1700	202.00	222.00
20x24...	20	24	24	20	10	11	380	51.00	71.00	30x84...	30	84	34	20	10	11	1800	217.00	237.00
20x30...	20	30	24	20	10	11	415	58.00	78.00	30x96...	30	96	34	20	10	11	2000	242.00	262.00
20x36...	20	36	24	20	10	11	450	70.00	90.00	36x36...	36	36	40	20	10	11	1200	142.00	162.00
20x42...	20	42	24	20	10	11	480	79.00	99.00	36x42...	36	42	40	20	10	11	1350	157.00	177.00
20x48...	20	48	24	20	10	11	510	87.00	107.00	36x48...	36	48	40	20	10	11	1450	171.00	191.00
24x24...	24	24	28	20	10	11	520	62.00	82.00	36x54...	36	54	40	20	10	11	1550	185.00	205.00
24x30...	24	30	28	20	10	11	560	70.00	90.00	36x60...	36	60	40	20	10	11	1650	200.00	220.00
24x36...	24	36	28	20	10	11	600	79.00	99.00	36x66...	36	66	40	20	10	11	1750	217.00	237.00
24x42...	24	42	28	20	10	11	640	90.00	110.00	36x72...	36	72	40	20	10	11	1850	235.00	255.00
24x48...	24	48	28	20	10	11	680	99.00	119.00	36x78...	36	78	40	20	10	11	1950	250.00	270.00
24x54...	24	54	28	20	10	11	720	109.00	129.00	36x84...	36	84	40	20	10	11	2050	265.00	285.00
24x60...	24	60	28	20	10	11	760	119.00	139.00	36x88...	36	88	40	20	10	11	2150	295.00	315.00
										36x96...	36	96	40	20	10	11	2250	325.00	345.00
										36x108...	36	108	40	20	10	11	2450	355.00	375.00
										36x120...	36	120	40	20	10	11	2650		

For Larger Size Settling Basins, See Page 51.

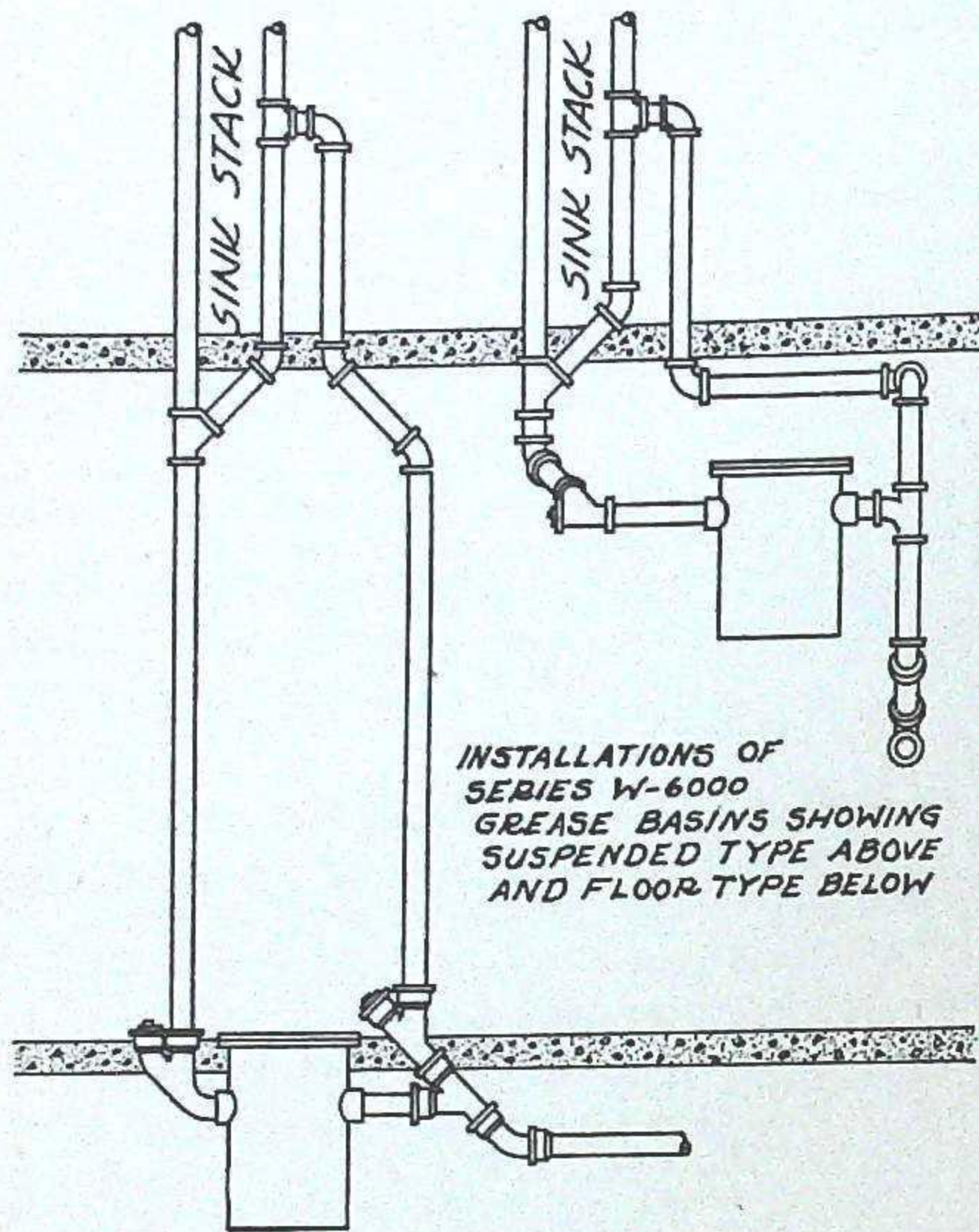
WADE MANUFACTURING CO.

CAST IRON GREASE BASINS
FOR APARTMENT INSTALLATIONS

Where it is not practical to use small individual grease interceptors under each sink, it is recommended that a large cast iron basin be installed in the basement into which all sinks may empty from one stack. This method is the most positive way to keep sewer lines free of grease, and in the maintenance of large apartment buildings a factor which will reduce upkeep costs is most important. Frequent cleaning of these basins is necessary.

The table below is approximate only, but as it is based on our many years of experience, it is of value in estimating the size of basins required for a given type of building. Two smaller basins are sometimes used in place of the single large one. The drawing indicates two alternate methods of installing grease basins, either the suspended type or the floor slab type.

For prices on all sizes, see page 45, Series W-6000.



INSTALLATIONS OF SERIES W-6000 GREASE BASINS SHOWING SUSPENDED TYPE ABOVE AND FLOOR TYPE BELOW

No. of Sinks	No. of People per Meal	Minimum Capacity of Basin in Gals.	Grease Capacity in Lbs.	Approx. Size of Basin
3	20	50	125	20 x 36
6	40	80	200	24 x 42
9	60	110	250	30 x 36
12	100	165	450	36 x 36
20	150	225	650	36 x 48
35	250	280	800	42 x 48
50	350	375	900	42 x 60
65	475	470	1100	48 x 60
80	600	650	1300	48 x 84
100	850	800	1800	60 x 60

CAST IRON GRAVEL BASINS

SERIES W-6100

To keep sewer lines free of stones and other debris from gravel roofs, it is recommended that a cast iron gravel basin be installed in the manner shown. This basin may either be suspended, or placed on or in the floor.

Hubs are optional wherever desired, and the cleanout plug is standard on all basins. It is essential on the suspended type or where it is difficult to get at the cover for removal.

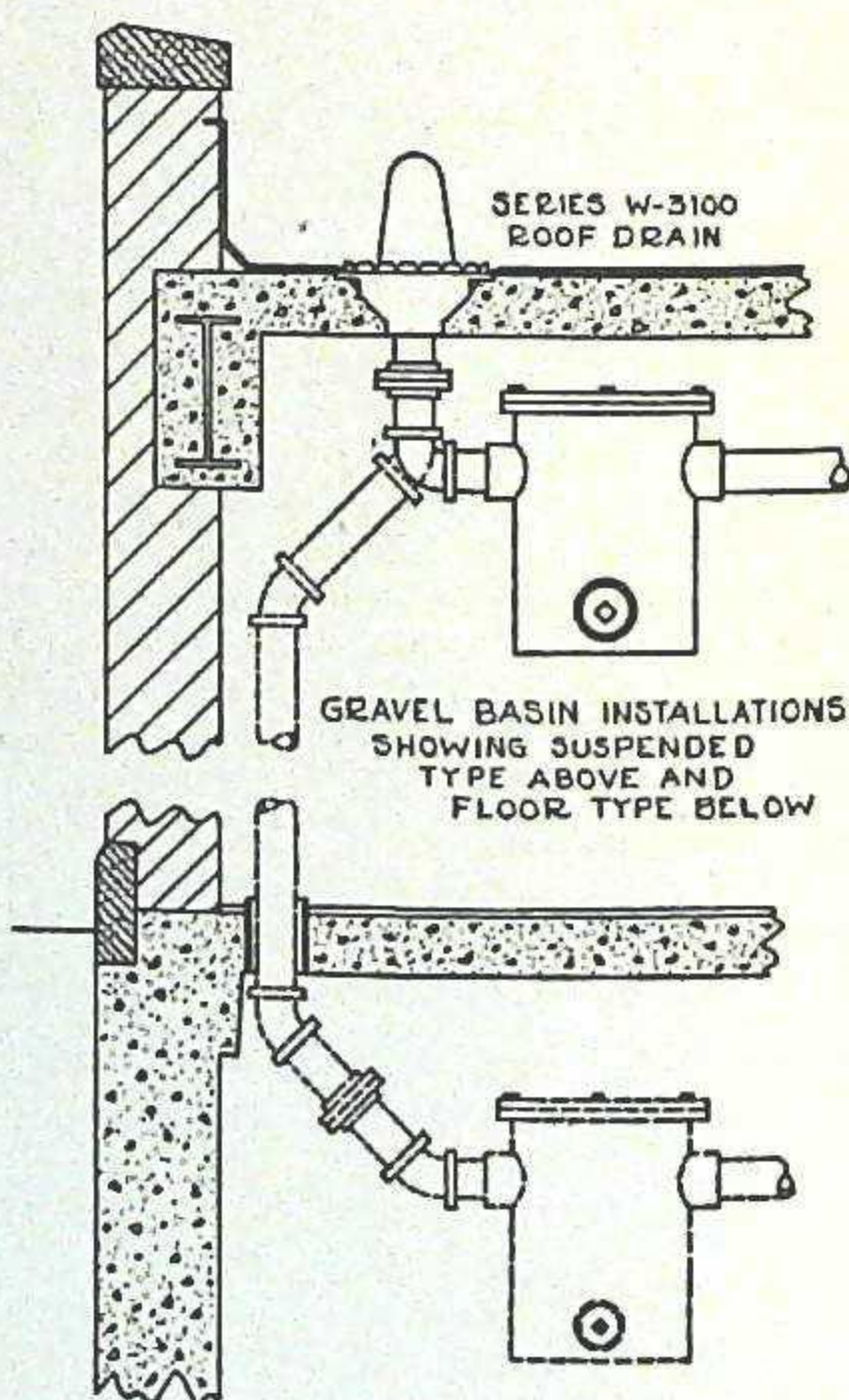
The table below is for estimating purposes and is the result of our experience in determining basin sizes for given purposes. The roof drain illustrated is our standard Series W-3100 described on page 28.

Leader Size	Gravel Covered Roofs Area in Sq. Ft.	Gravel Basin Size	Capacity in Gals.	List* Price
3	1200	16 x 20	17	\$31.00
4	2000	18 x 24	26	\$39.00
5	3500	20 x 30	40	\$57.00
6	5000	24 x 36	70	\$78.00
8	9000	30 x 36	110	\$110.00

Table based on 1 square inch of leader opening required for each 200 square feet of roof surface.

Approximately 1 gallon of basin capacity is required for each 200 square feet of gravel roof area.

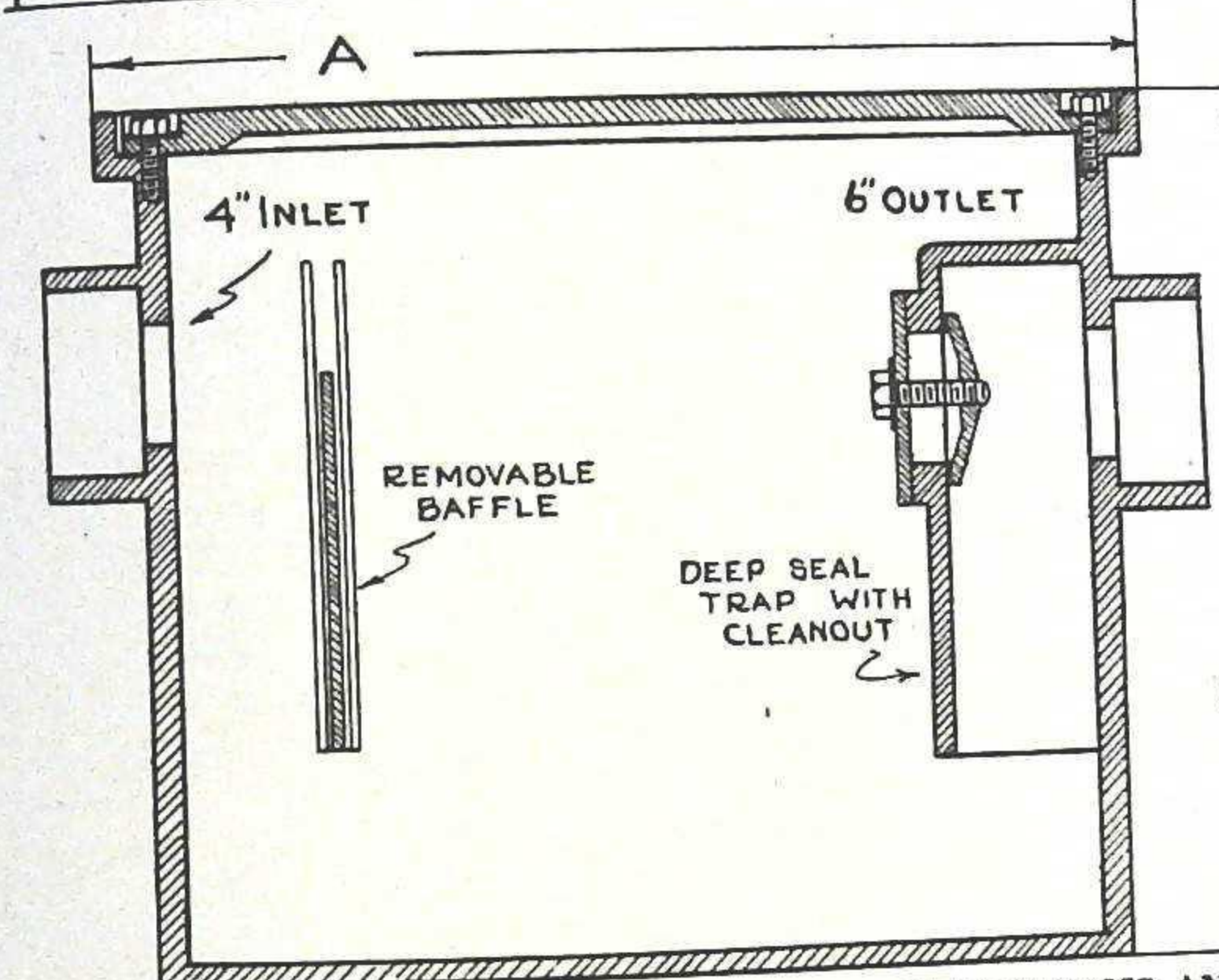
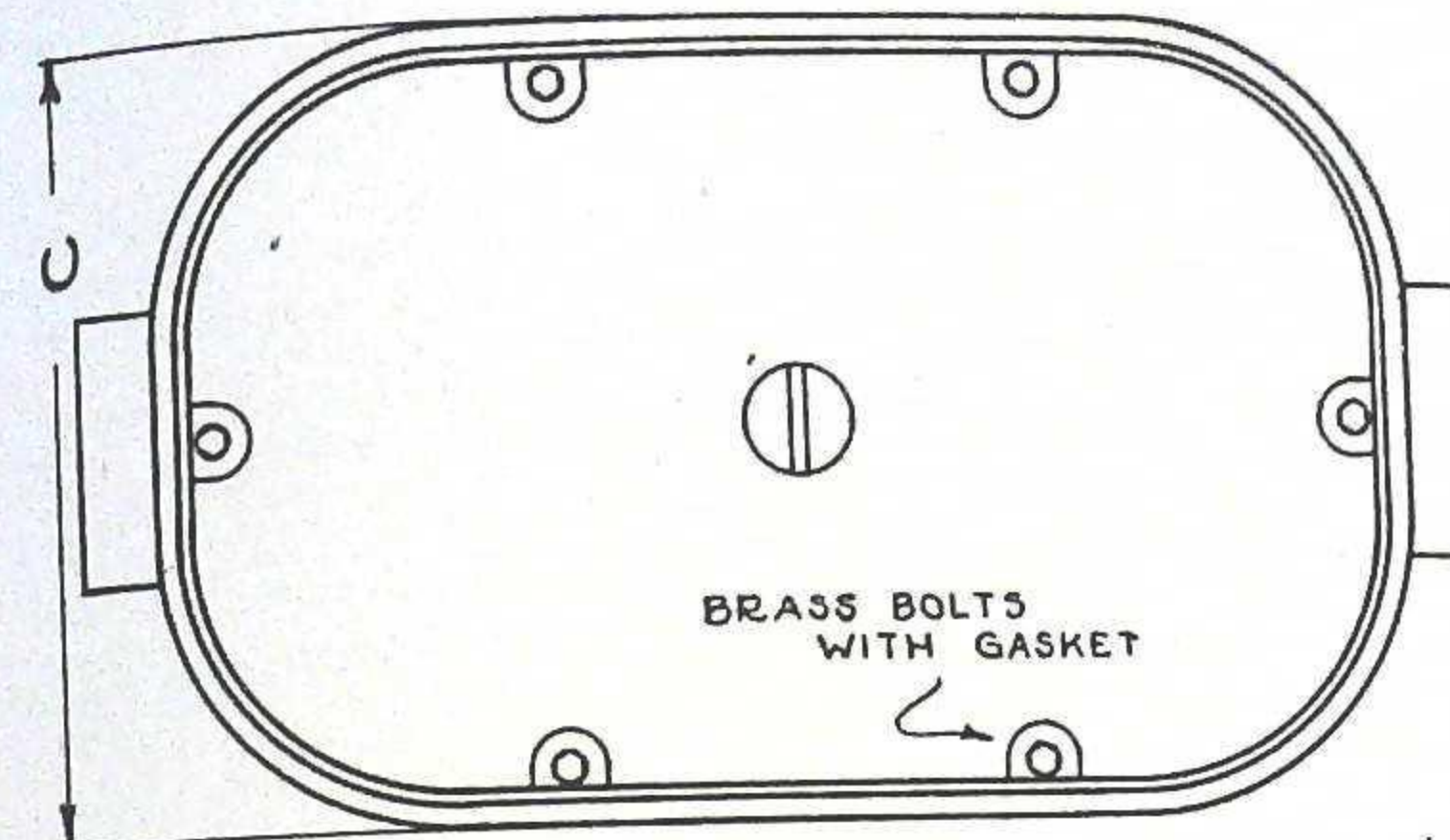
*For other sizes, see Page 45.



GRAVEL BASIN INSTALLATIONS SHOWING SUSPENDED TYPE ABOVE AND FLOOR TYPE BELOW

CAST IRON RESIDENTIAL TYPE CATCH BASIN

Series W-6200



RECOMMENDED USES:

- (1) For all bungalows, cottages, and small homes as an economical means of eliminating the outside brick catch basin with its high installation cost.
- (2) Designed for inside use to be installed at the foot of the waste stack as accompanying floor plan shows. This installation provides a quicker, less expensive method than the old type outside brick basin, is more easily handled, and is more sanitary. It is also much easier to clean.

STANDARD CONSTRUCTION:

- (1) Extra heavy cast iron with bolted type cover with brass bolts and gasket. 4" hub inlet and 6" hub outlet.
- (2) Deep seal trap with removable cleanout door for rodding when necessary.
- (3) Removable baffle plate to break up incoming grease.

FEATURES:

- (1) Irregular shape makes ideal grease storage space and prevents incoming greasy wastes from flowing direct to sewer.
- (2) Inlet baffle is entirely new and forces waste upward for complete separation of grease and water.

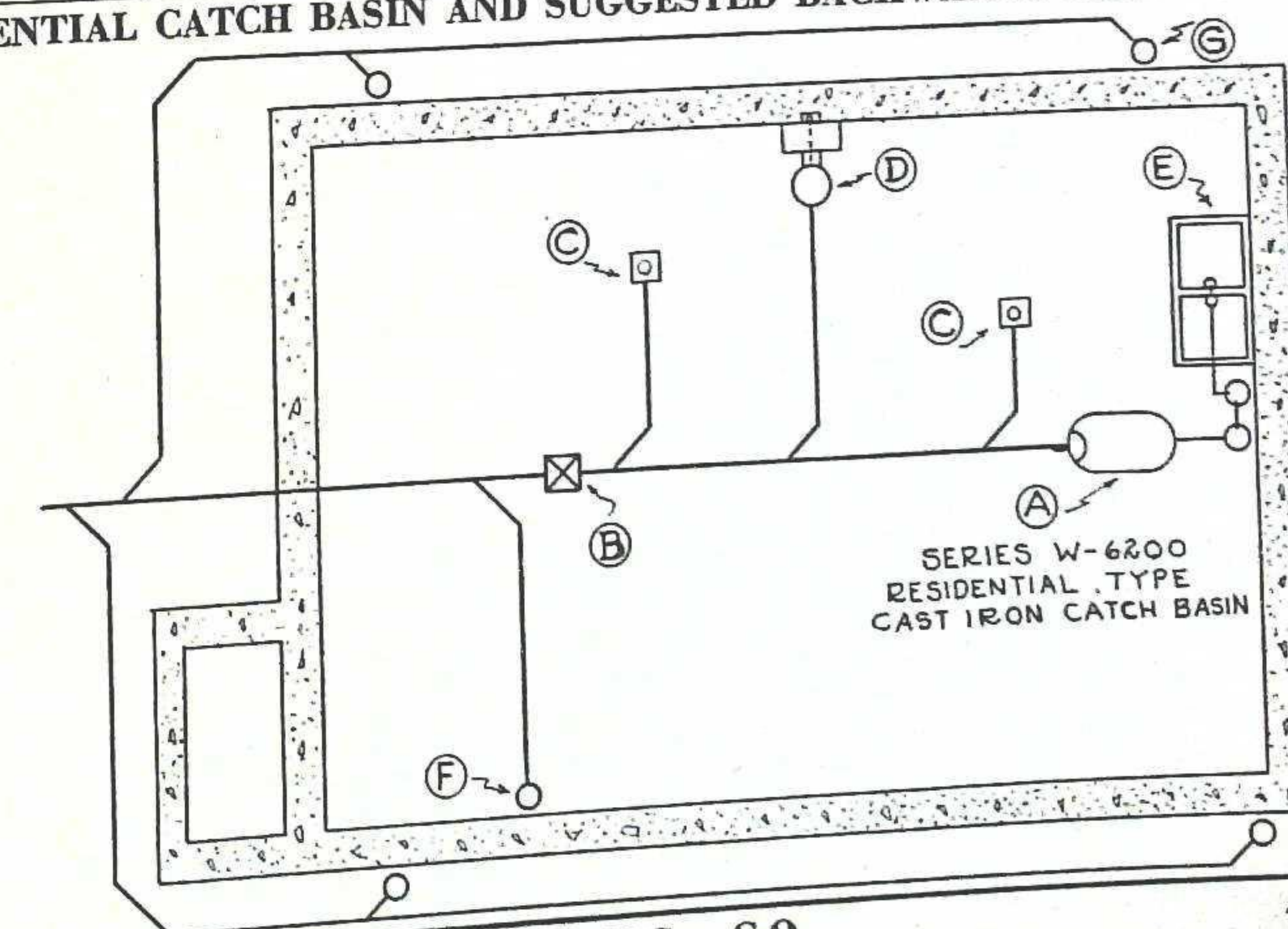
SPECIFICATIONS AND LIST PRICES

A	B	C	Weight	Capacity, Gals.	Grease Capacity, Lbs.	Price
27 1/2	22	16 1/2	350	35	65	\$50.00

INSTALLATION OF RESIDENTIAL CATCH BASIN AND SUGGESTED BACKWATER CONTROL

The installation plan shown here indicates the position, in reference to the waste stack, of the inside cast iron catch basin described above. The plan also shows how a backwater valve may be used where necessary to prevent possible flooding of basement. It should be noted that all downspouts are directed on outside of building.

- A—Series W-6200 Basin
- B—Backwater Valve
 - (1) Series W-4200
 - (2) Series W-4500
 - (3) Series W-4550
- C—Floor Drains (See Index)
- D—Basement Fixture
- E—Laundry Trays
- F—Soil Stack
- G—Downspouts



CAST IRON BASINS WITH BACKWATER VALVE
SERIES W-6250

SERIES W-6250

● RECOMMENDED USES:

- (1) In localities where sewage back-up is common, it is dangerous to allow drain tile to be unprotected from such a hazard, as untold danger to health might result. To avoid such possibility the Series W-6250 basin fitted with a backwater valve should be used as a central sump into which the W-6280 sub-soil basins can drain.

● STANDARD CONSTRUCTION:

- (1) Heavy cast iron made in sizes indicated below, complete with deep seal trap and fitted with backwater valve.
- (2) Regularly furnished with bolted gas-tight cover, but grated cover can be supplied at no extra cost where the basin is used as a floor drain with backwater valve. Specify type desired.
- (3) Basin adaptable for extensions. Size of hubs as shown unless otherwise ordered.

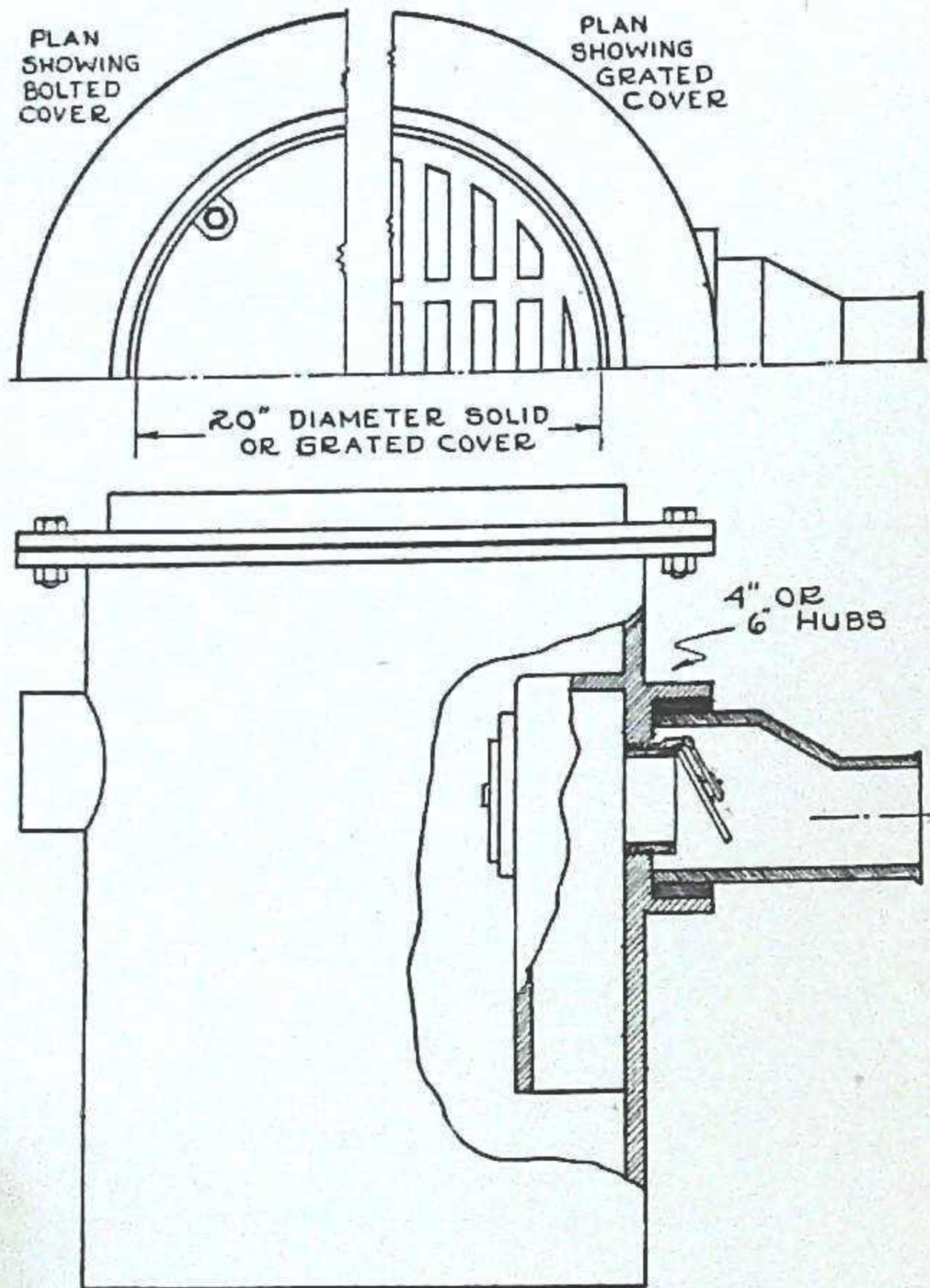
● FEATURES:

- (1) This is the only type basin with backwater valve in which the valve is always accessible and may be replaced at any time.

LIST PRICES

Nominal Size	Weight	Complete with Valve
18 x 36	400	\$100.00
20 x 36	600	110.00
24 x 30	675	120.00
24 x 36	750	125.00
30 x 36	1100	155.00
30 x 48	1400	175.00

Larger sizes on application.



CAST IRON RODDING AND SUB-SOIL DRAINAGE BASINS
SERIES W-6280

SERIES W-6280

● RECOMMENDED USES:

- (1) In deep basements where there is an excessive amount of seepage water, drain tile should be laid around the exterior walls and connected to the W-6280 cast iron basins shown here. Seepage water from these basins may be pitched directly to the sewer, or to a central basin protected with a backwater valve as W-6250 illustrated above. Frequently a small cellar drainer is used to pump surplus water to the sewer. For description of this pump see page 52.

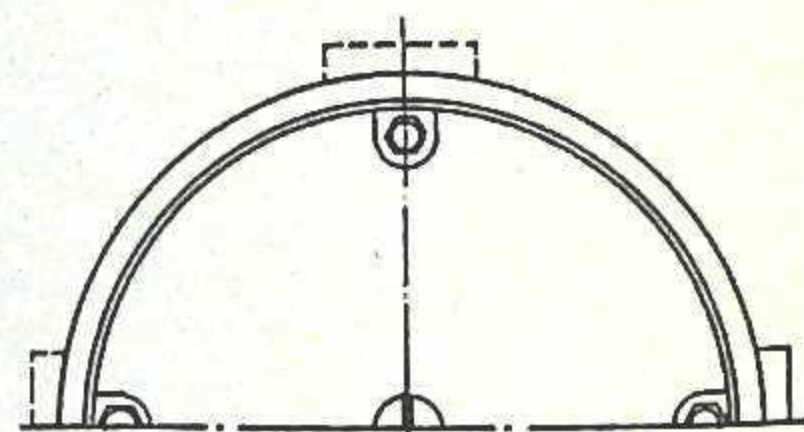
● STANDARD CONSTRUCTION:

- (1) Heavy cast iron with removable cover. Hub location, number and size are optional.
- (2) Regular diameters and depths listed below. Other sizes on application.

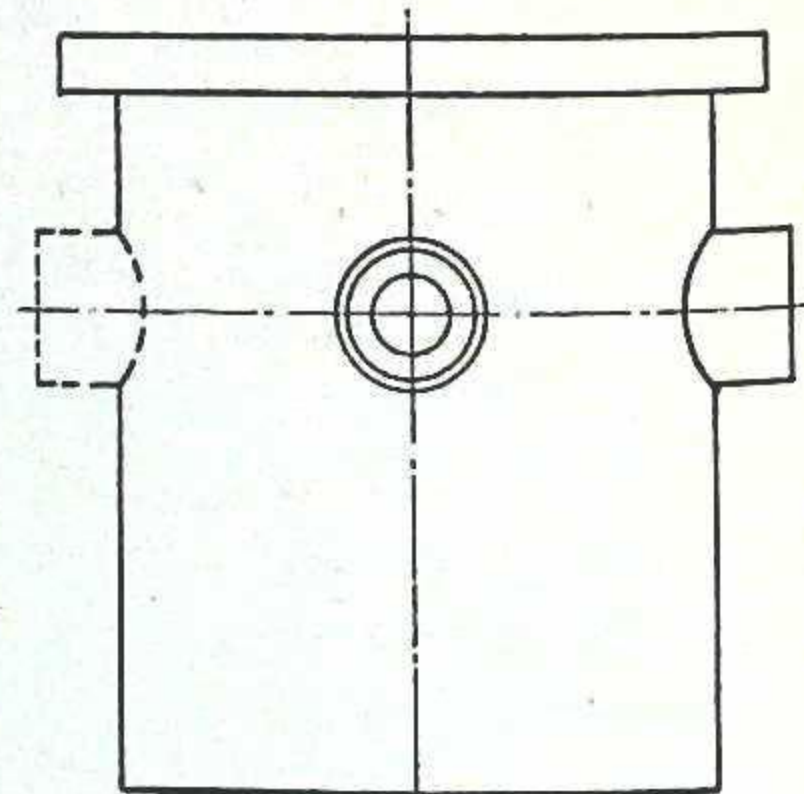
LIST PRICES

Nominal Size	Weight	Complete with Cover
14 x 18	200	\$29.00
14 x 24	230	34.00
14 x 30	260	39.00
14 x 36	300	44.00
18 x 18	250	35.00
18 x 24	300	39.00
18 x 30	325	46.00
18 x 36	350	54.00
18 x 48	450	69.00
18 x 60	600	85.00

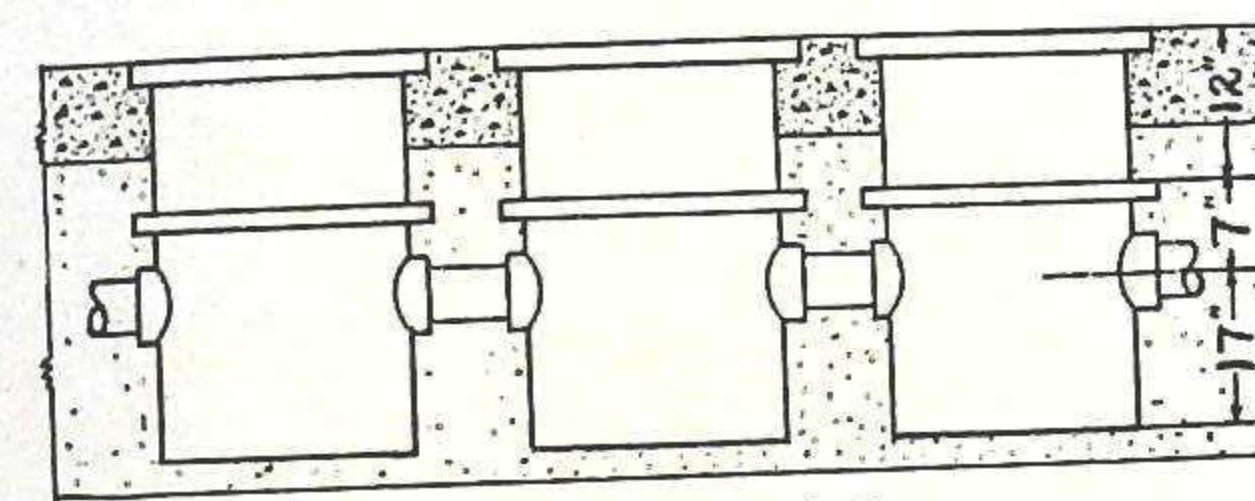
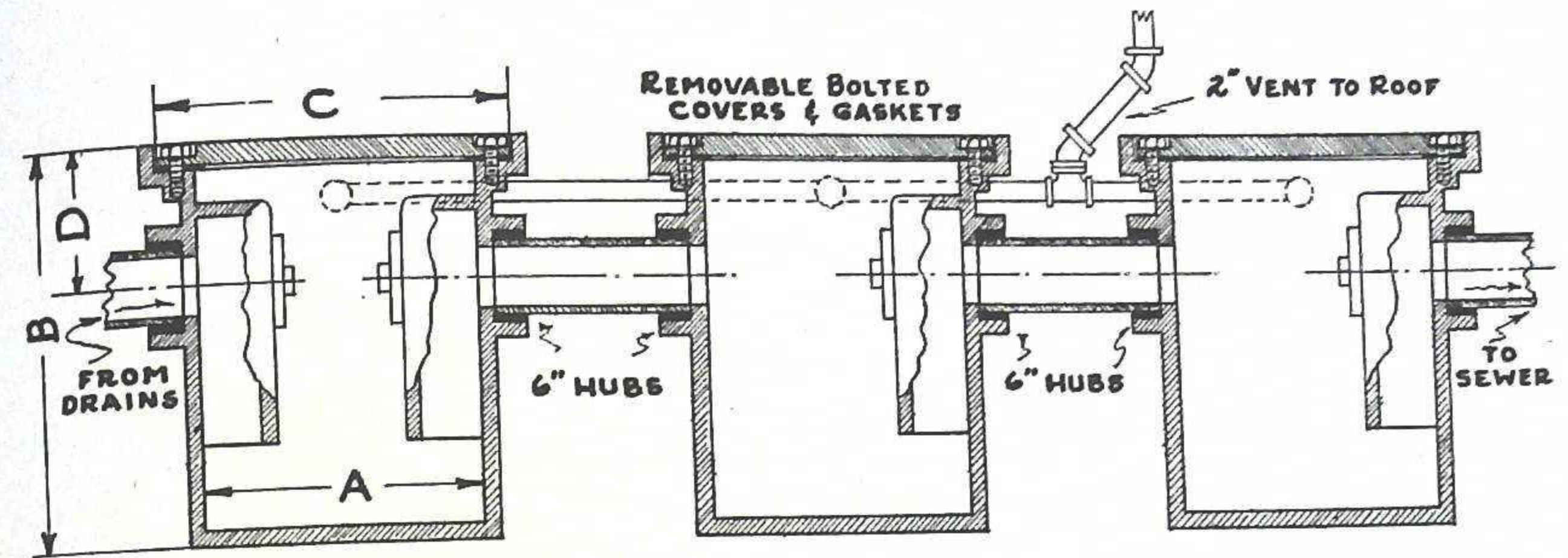
Other sizes on application.



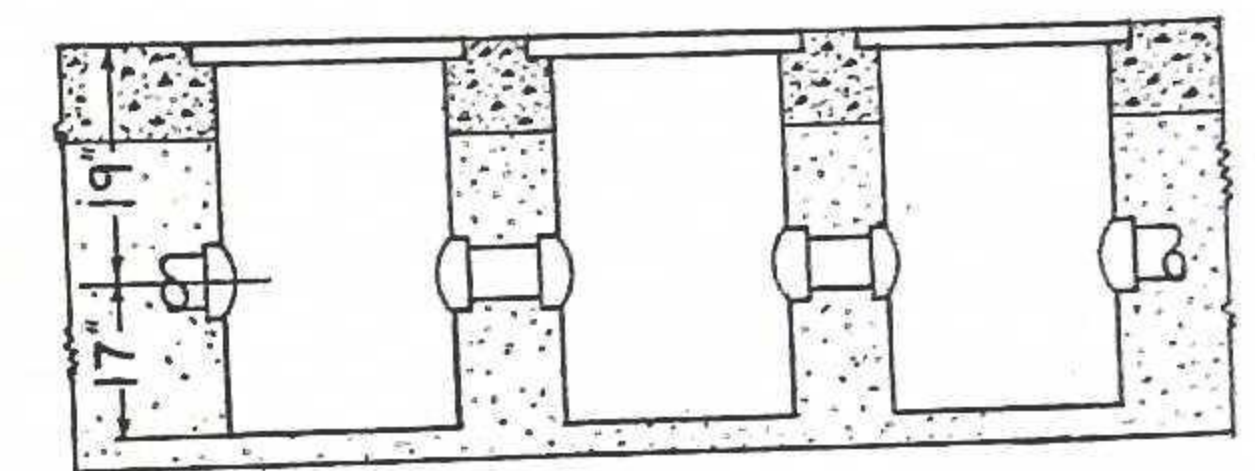
NUMBER AND LOCATION OF HUBS OPTIONAL AT ANY ANGLE DESIRED



TRIPLE GASOLINE AND OIL SEPARATING BASINS
SERIES W-6300



SERIES W-6320



SERIES W-6340

● RECOMMENDED USES:

- (1) For all garages and service stations to prevent danger of sewer explosions which frequently result from gasoline and oil being washed directly into main sewers.
- (2) Discharge from floor drains enters double trapped basin first and by passing through the three basins, all gasoline and oil is removed. Fumes are vented to the atmosphere as shown.
- (3) These basins are a safety necessity in all garages and are recommended by Fire Prevention Bureaus.

● STANDARD CONSTRUCTION:

- (1) Regularly furnished of extra heavy cast iron with deep seal traps, in 18" x 24" size with 6" hubs and bolted covers. Vents are for 2" pipe.
- (2) Extensions to bring basins level with floor regardless of depth of sewer are available. The 18" x 36" size has deep hubs to eliminate separate extensions.
- (3) Larger size basins furnished when so required.
- (4) Brick or concrete block or tile basins should never be used for this purpose, because their porosity retains oily wastes which might later cause serious damage.

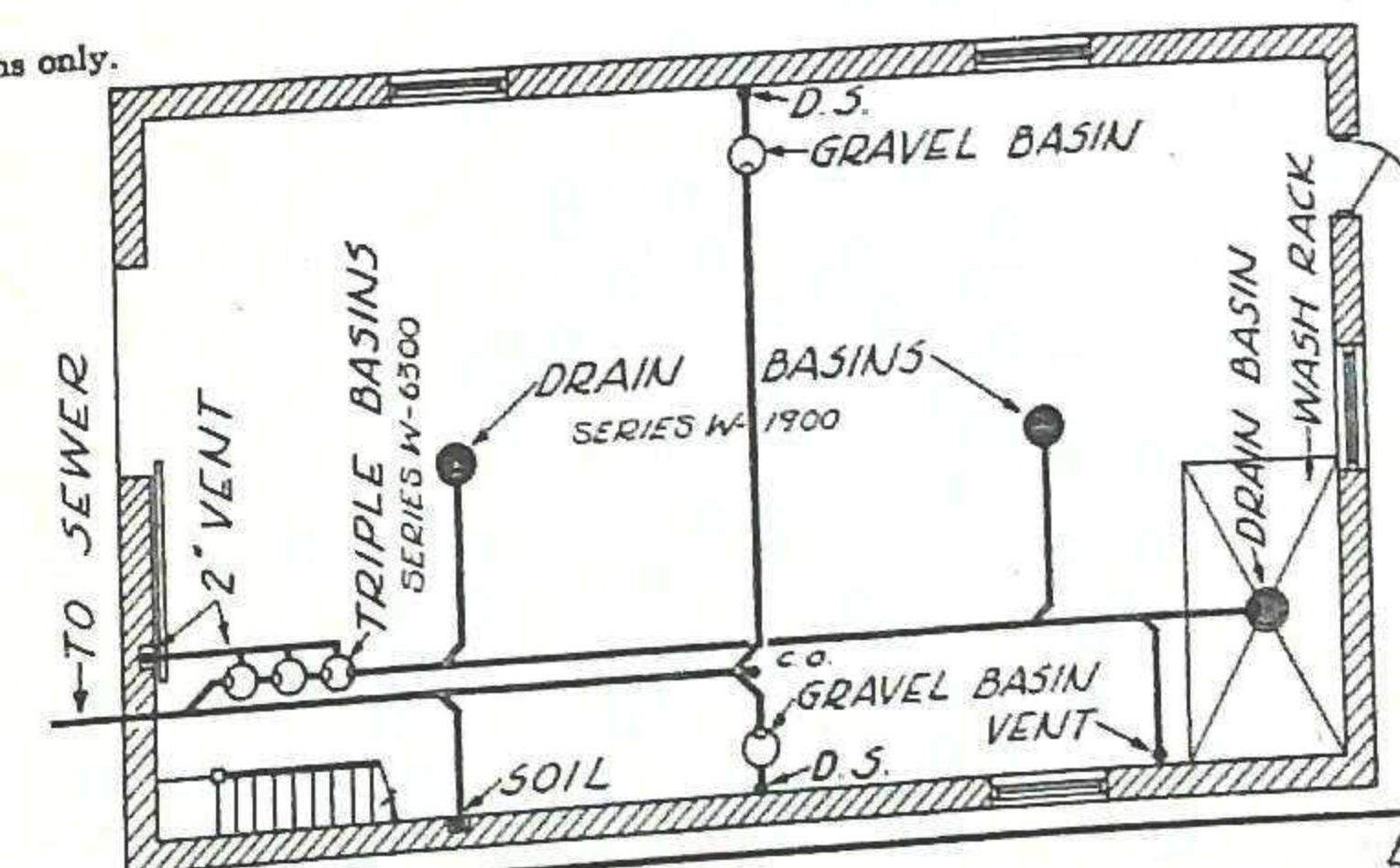
SPECIFICATIONS AND LIST PRICES

Nominal Size	Dimensions				Weight	Complete Sets of 3 Basins		
	A	B	C	D		Series W-6300	Series W-6320	Series W-6340
18 x 24	18	24	20	7	810	\$100.00	\$151.00	\$145.00
18 x 36	18	36	20	7	900	145.00	196.00	190.00
24 x 36	24	36	20	9	1750	235.00	286.00	280.00
24 x 48	24	48	20	9	2100	280.00	331.00	325.00
24 x 60	24	60	20	9	2400	325.00	386.00	380.00

Set of 3—18" x 12" extensions only \$51.00.
Larger sizes of Basins and Extensions on application.
Dimensions shown on W-6320 and W-6340 apply to 18" Diameter Basins only.

INSTALLATIONS OF GARAGE DRAINS

The plan shown here should be followed when practical. Note that triple basins are not to be used as floor drains, but should only receive wastes from properly located drains. Extensions can be used to bring basins up to floor level where sewers are deep.



CAST IRON STEAM BLOW-OFF AND COOLING BASINS

FOR ALL BOILER PRESSURES

SERIES W-6400

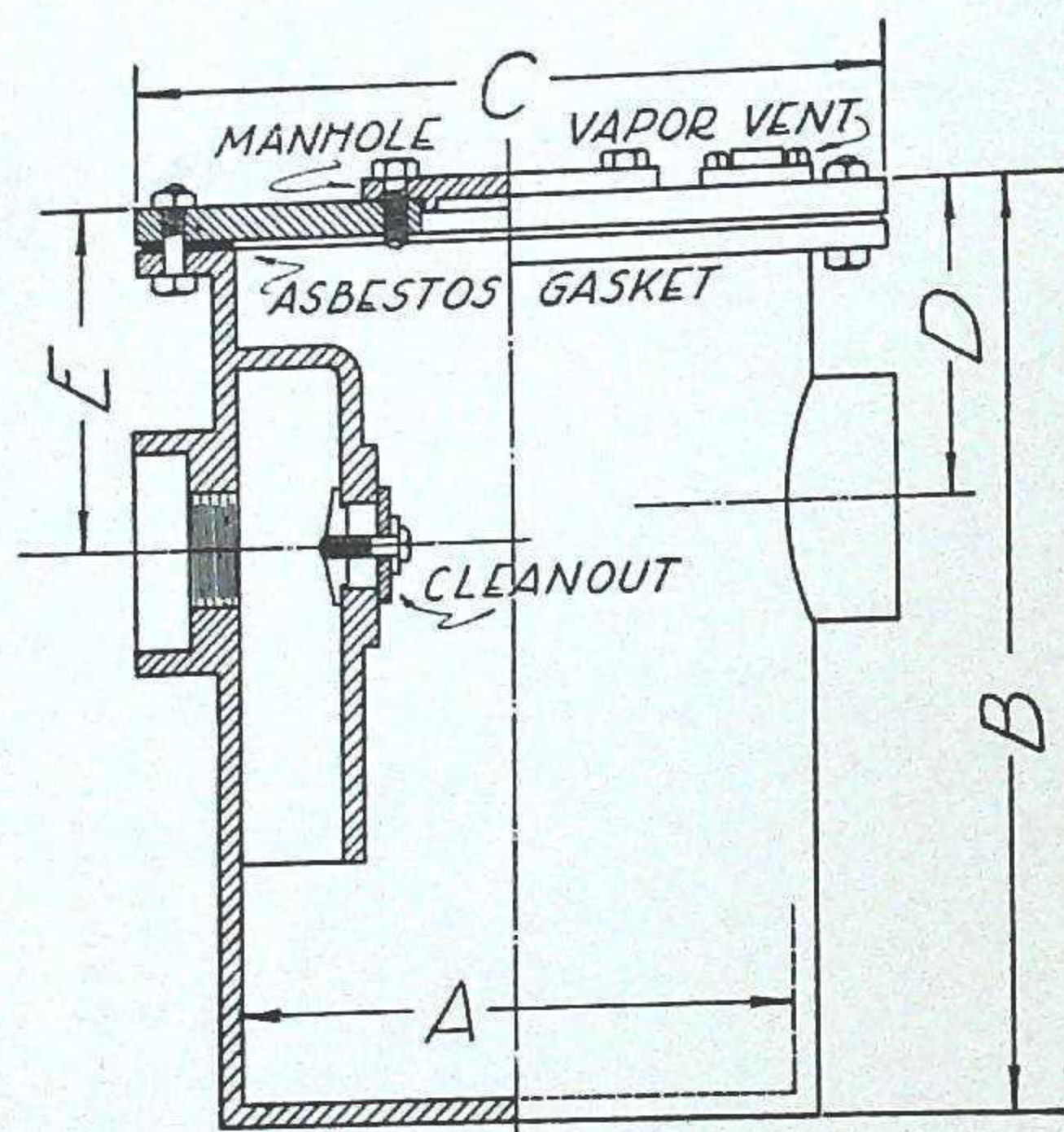
To avoid the danger of live steam entering the sewer from boiler blow-offs, cast iron basins should always be used. Such a precaution will protect the sewer from steam discharges.

STANDARD CONSTRUCTION

The WADE-LINE basins are made of extra heavy cast iron to withstand all pressures and are furnished with an extra heavy cast iron cover. Hubs are regularly furnished threaded for iron pipe, in 4" or 6" size. The cover is fitted with a heavy bolted manhole, and the vent is 4" on the smaller size basins and 6" on the larger sizes. The deep seal trap is fitted with a cleanout.

INSTALLATION

The section below shows a tandem connection of a blow-off and a cooling basin installed in a boiler room floor. This method is recommended where high boiler pressures are encountered, as the cooling basin relieves the pressure on the inlet basin, and reduces the temperature of the boiler discharge to the point where it may safely enter the sewer.

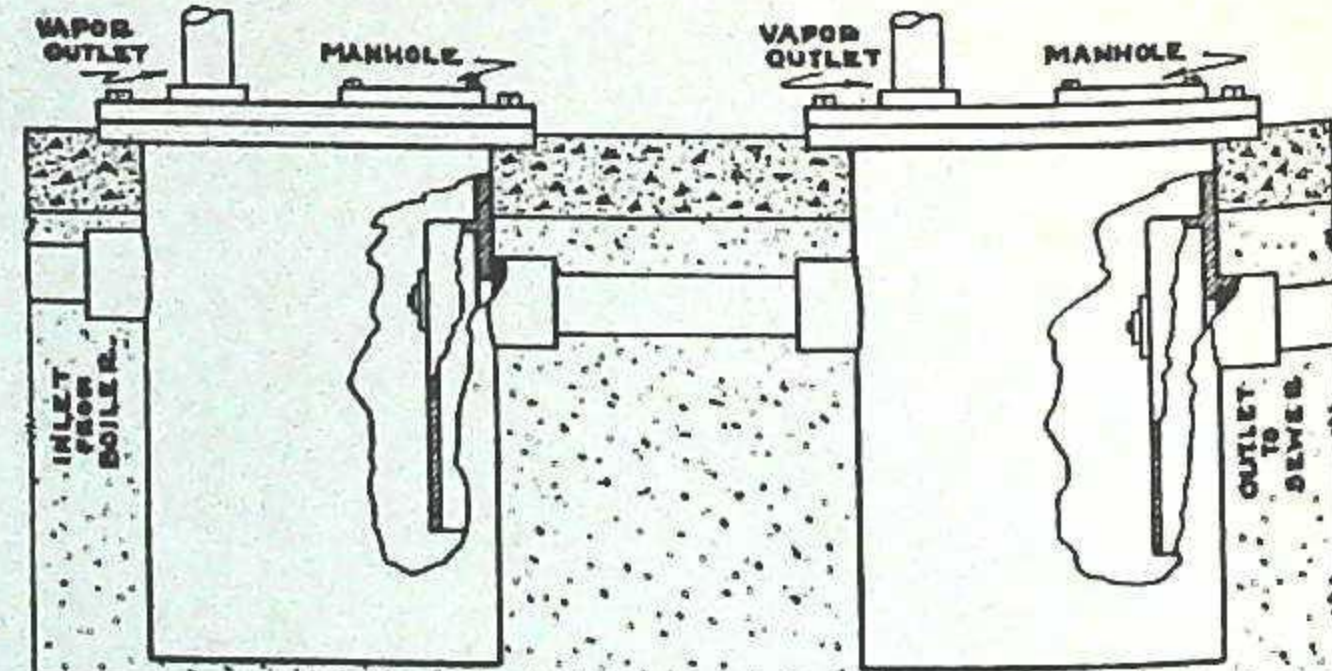


SPECIFICATIONS AND LIST PRICES

Nominal Size	A	B	C	D	E	Wt.	Series W-6400	Nominal Size	A	B	C	D	E	Wt.	Series W-6400
16 x 24..	16	24	20	9	10	280	\$35.00	36 x 36.	36	36	40	9	10	1300	\$142.00
16 x 30..	16	30	20	9	10	300	44.00	36 x 42.	36	42	40	9	10	1425	157.00
18 x 24..	18	24	22	9	10	300	39.00	36 x 48.	36	48	40	9	10	1550	171.00
18 x 30..	18	30	22	9	10	340	46.00	36 x 60.	36	60	40	9	10	1675	200.00
18 x 36..	18	36	22	9	10	380	54.00	36 x 72.	36	72	40	9	10	1800	235.00
20 x 30..	20	30	24	9	10	415	58.00	42 x 42.	42	42	48	9	10	1900	180.00
20 x 36..	20	36	24	9	10	450	70.00	42 x 48.	42	48	48	9	10	2050	197.00
20 x 42..	20	42	24	9	10	480	79.00	42 x 54.	42	54	48	9	10	2200	215.00
24 x 30..	24	30	28	9	10	550	70.00	42 x 60.	42	60	48	9	10	2350	230.00
24 x 36..	24	36	28	9	10	600	79.00	42 x 72.	42	72	48	9	10	2500	261.00
24 x 42..	24	42	28	9	10	650	90.00	48 x 48.	48	48	54	9	10	2500	266.00
24 x 48..	24	48	28	9	10	720	99.00	48 x 54.	48	54	54	9	10	2750	290.00
30 x 36..	30	36	34	9	10	900	111.00	48 x 60.	48	60	54	9	10	3000	310.00
30 x 42..	30	42	34	9	10	1000	126.00	48 x 66.	48	66	54	9	10	3125	325.00
30 x 48..	30	48	34	9	10	1100	138.00	48 x 72.	48	72	54	9	10	3300	345.00
30 x 54..	30	54	34	9	10	1200	152.00	60 x 60.	60	60	66	9	10	3800	575.00
30 x 60..	30	60	34	9	10	1300	166.00	60 x 72.	60	72	66	9	10	4800	650.00
								60 x 84.	60	84	66	9	10	5400	700.00

TABLE OF MINIMUM BASIN SIZES FOR GIVEN BOILER PRESSURE

Boiler Pressure in Pounds	Basin Size Recommended	Basin Capacity in Gallons
10	18 x 24	26
15	20 x 30	40
25	24 x 36	70
50	30 x 36	110
75	36 x 48	211
100	42 x 60	360
125	48 x 60	470
150	48 x 72	565
200	60 x 60	735
300	60 x 72	880



CAST IRON BILGE AND EJECTOR SUMPS

FOR ALL TYPES OF PUMPS

SERIES W-6500

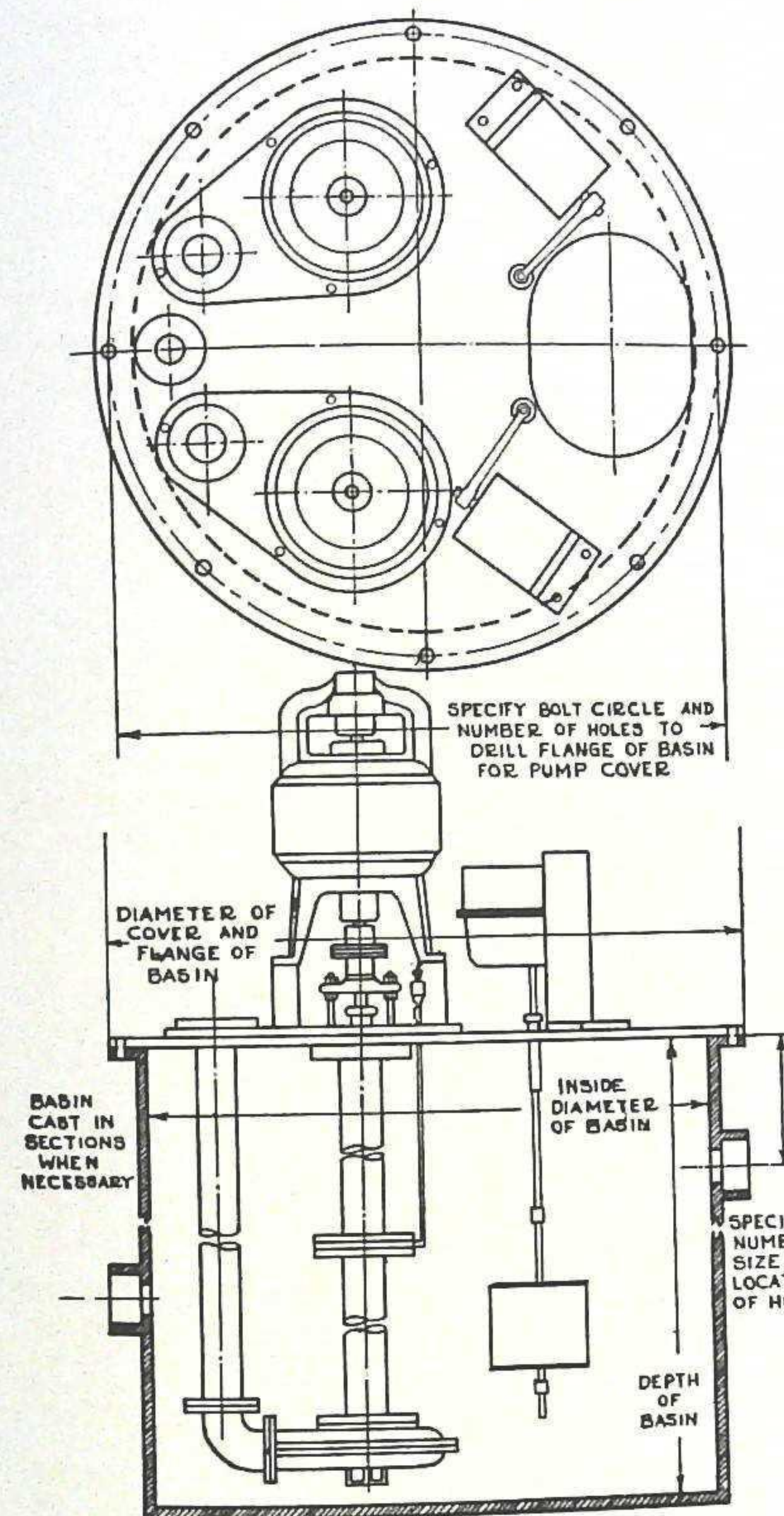
The cast iron sumps listed below are made in every possible size, and in any number of sections to meet the specifications of all makes of pumps. Cast iron basins last longer than steel and concrete sumps, and are more easily handled and installed.

The single and duplex electrically operated, automatically controlled drainage pumps shown below are made for all conditions, both in the non-clogging and surface water types. Price on sumps furnished on request, as same depends upon nature of service, depth of drains, lift above basin, and current characteristics.

Complete data furnished on pumps for all purposes.

LIST PRICES

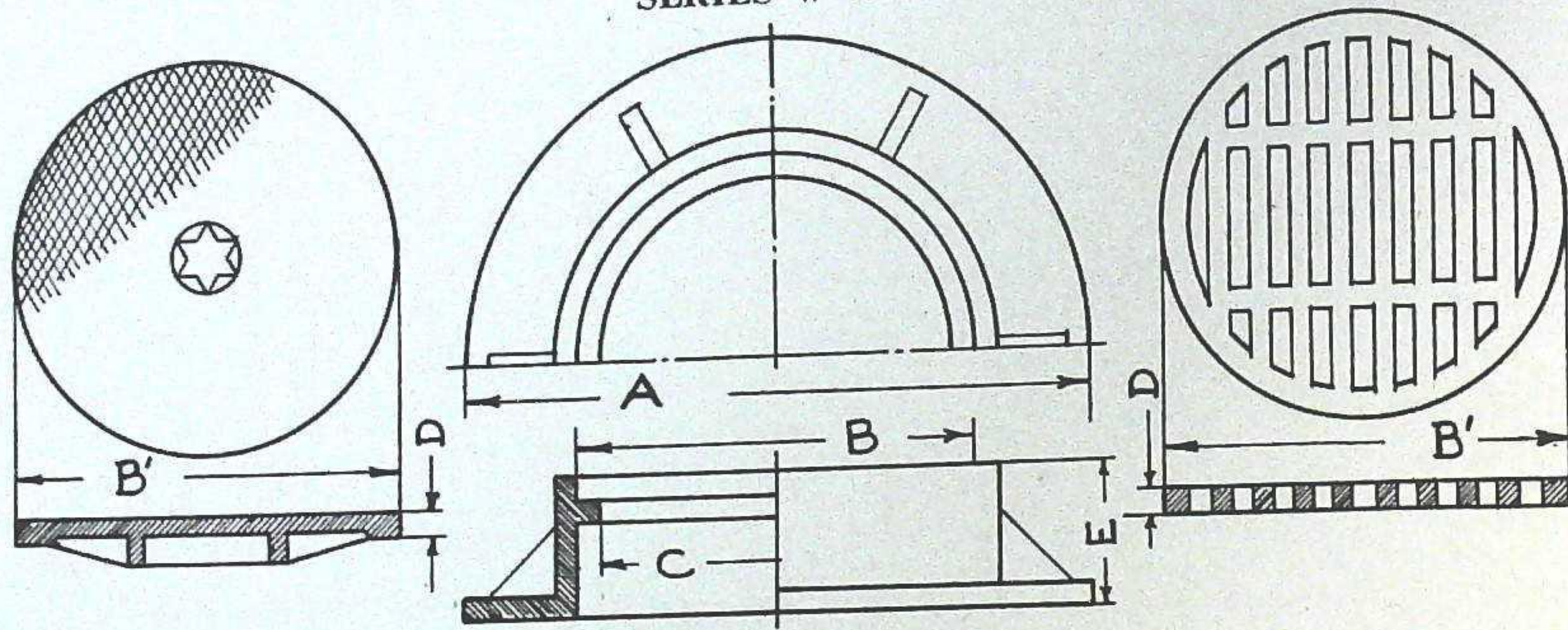
Diameter of Sump	Depth of Sump	Diameter of Flange	Weight of Sump	Sumps Only	Settling Basin with Cover
18	24	22	235	\$34.00	\$39.00
	30		295	40.00	46.00
	36		345	48.00	54.00
	42		395	56.00	62.00
	48		440	63.00	69.00
20	24	24	295	40.00	51.00
	30		320	45.00	58.00
	36		355	57.00	70.00
	42		385	66.00	79.00
	48		425	74.00	87.00
24	24	28	345	45.00	62.00
	30		435	55.00	70.00
	36		520	63.00	79.00
	42		610	73.00	90.00
	48		700	82.00	99.00
30	24	34	510	65.00	87.00
	30		620	78.00	100.00
	36		730	90.00	111.00
	42		840	104.00	126.00
	48		955	116.00	138.00
36	48	40	1065	130.00	152.00
	54		1175	144.00	166.00
	60		1285	167.00	189.00
	72		1395	195.00	217.00
	84				



Diameter of Sump	Depth of Sump	Diameter of Flange	Weight of Sump	Sump Only	Settling Basin with Cover
35	36	40	900	\$117.00	\$142.00
	42		1050	132.00	157.00
	48		1200	146.00	171.00
	54		1350	160.00	185.00
	60		1500	175.00	200.00
	66		1650	192.00	217.00
	72		1800	210.00	235.00
	78		1950	225.00	250.00
	84		2100	240.00	265.00
	96		2400	270.00	295.00
	108		2700	300.00	325.00
	120		3000	330.00	355.00
42	42	48	1235	144.00	180.00
	48		1435	162.00	197.00
	54		1635	178.00	215.00
	60		1835	195.00	230.00
	66		2035	212.00	247.00
	72		2235	226.00	261.00
	78		2435	245.00	280.00
	84		2635	262.00	297.00
	96		3035	292.00	327.00
	108		3435	330.00	365.00
	120		3835	365.00	400.00

Diameter of Sump	Depth of Sump	Diameter of Flange	Weight of Sump	Sump Only	Settling Basin with Cover
48	48	54	1910	\$220.00	\$266.00
	54		2150	245.00	290.00
	60		2390	265.00	310.00
	66		2640	285.00	325.00
	72		2880	305.00	345.00
	78		3120	330.00	375.00
	84		3330	350.00	395.00
	96		3750	400.00	445.00
	108		4170	445.00	490.00
	120		4590	490.00	535.00
	132		5000	530.00	575.00
	144		5420	575.00	630.00
60	60	66	3000	400.00	480.00
	66		3300	425.00	500.00
	72		3600	450.00	520.00
	78		3900	475.00	540.00
	84		4200	500.00	560.00
	96		4800	550.00	610.00
	108		5340	600.00	660.00
	120		6000	650.00	710.00
	132		6900	700.00	760.00
	144		7500	750.00	810.00

HEAVY WEIGHT MANHOLE FRAMES AND COVERS
SERIES W-7300



RECOMMENDED USES:

- (1) For use in parks, lawns, driveways, yards, etc., where there is light traffic.

STANDARD CONSTRUCTION:

- (1) Extra heavy cast iron with either solid lid or grated type suitable for medium weight loads.

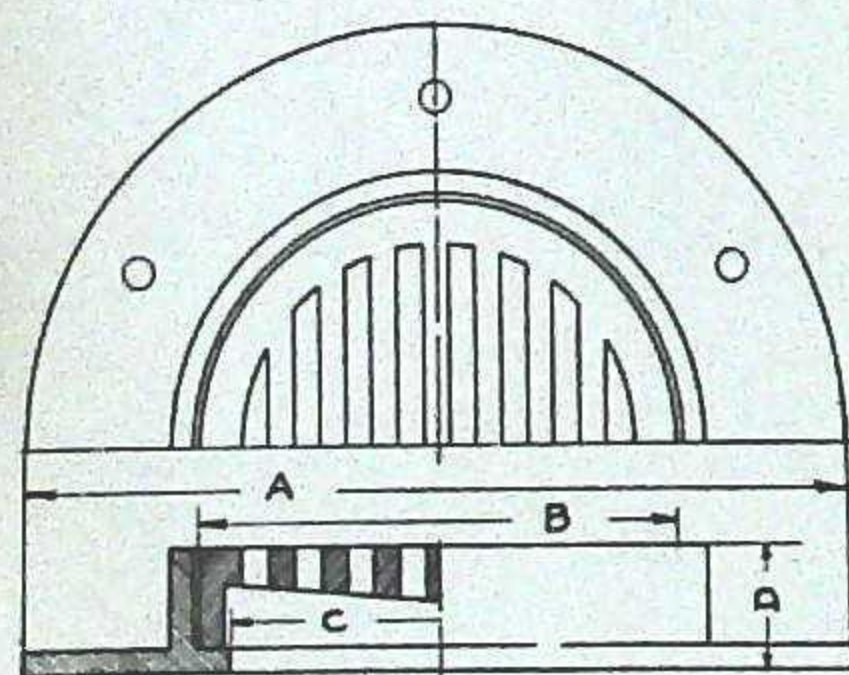
SPECIFICATIONS AND LIST PRICES

Type	Dimensions						Weight	Extra Heavy Cast Iron	
	A	B	B ¹	C	D	E		Solid Lid	Grated Lid
W-7301.....	18 1/4	12 1/2	12	10 1/2	1/2	3 1/2	80		\$12.00
W-7302.....	29	19 1/4	19 1/2	17 1/2	5/8	5 1/2	190	\$21.00	21.00
W-7303.....	30	23	22 3/4	21	1 3/4	6	275	23.00	23.00
W-7304.....	36	23	22 3/4	21	1 3/4	6	305	25.00	25.00

SERIES W-7350

This type of cover is of extra heavy construction, particularly designed for driveway use in garages, service stations, etc., where a small diameter grate is needed.

A bolted type lid with brass bolts and gasket is interchangeable. See table for prices.



SPECIFICATIONS AND LIST PRICES

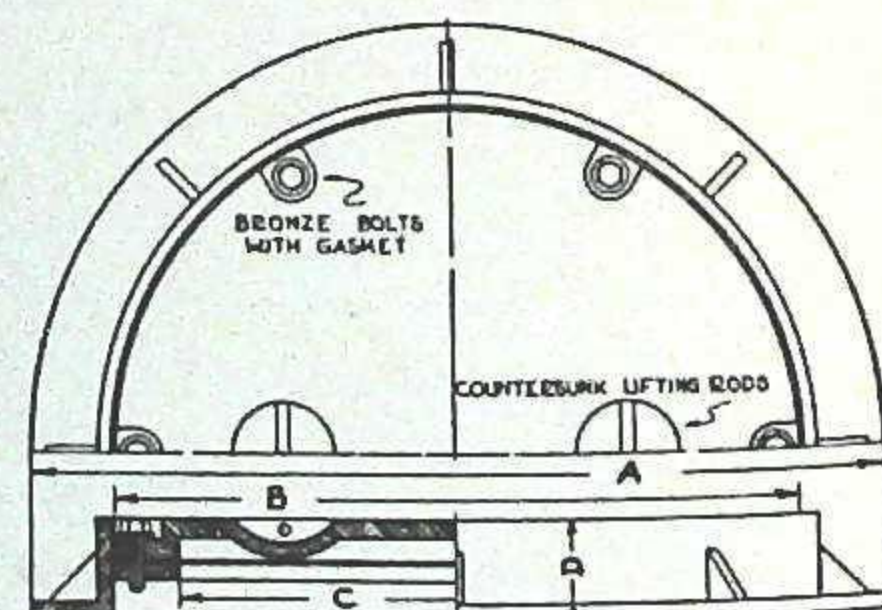
No.	Dimensions				Weight	Extra Heavy Cast Iron	
	A	B	C	D		W-7350 Grated Type	W-7360 Bolted Type
1.....	20	14	12 1/2	3	55	\$15.00	\$16.00
2.....	22	14	12 1/2	3	65	16.00	17.00
3.....	24	14	12 1/2	3	75	18.00	19.00
4.....	28	14	12 1/2	3	85	20.00	21.00
5.....	30	14	12 1/2	3	105	22.00	23.00
6.....	34	14	12 1/2	3	130	27.00	28.00

SERIES W-7380

This extra large size bolted type frame and cover has a 30" diameter lid for large size basins or manholes.

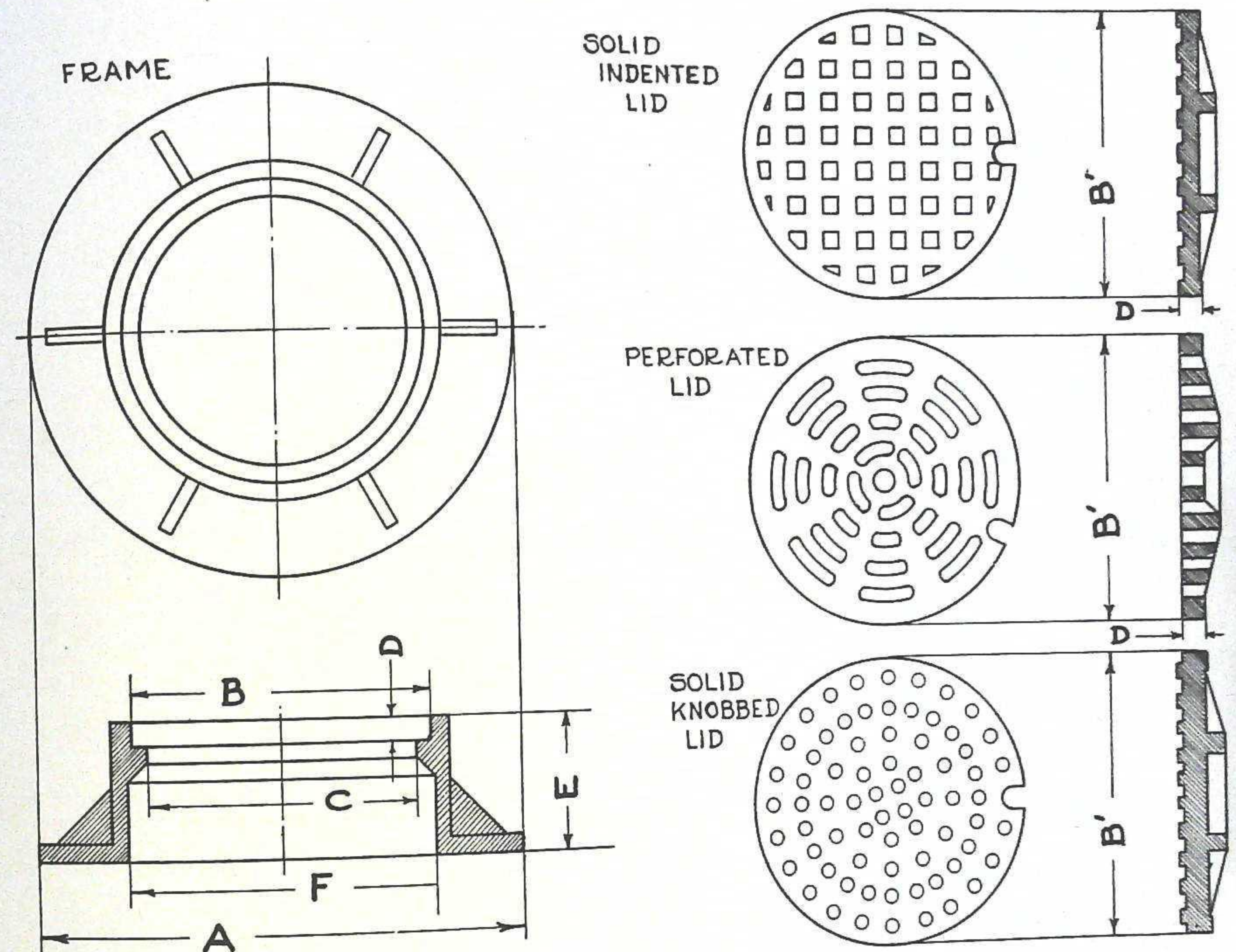
SPECIFICATIONS AND LIST PRICES

No.	Dimensions				Weight	Extra Heavy Cast Iron
	A	B	C	D		
W-7381.....	40	30	28	3 1/2	235	\$46.00
W-7382.....	48	30	28	3 1/2	280	61.00
W-7383.....	54	30	28	3 1/2	330	76.00



EXTRA HEAVY STREET MANHOLE FRAMES AND COVERS

SERIES W-7400



RECOMMENDED USES:

- (1) For all street and highway use to withstand heaviest loads.
- (2) Many sizes available conforming to municipal, County, State and Federal requirements.

STANDARD CONSTRUCTION:

- (1) Extra heavy cast iron throughout.
- (2) Lids are braced to support all loads and traffic.
- (3) Specify type of lid required when ordering together with number.

SPECIFICATIONS AND LIST PRICES

Type	Dimensions							Weight	Extra Heavy Cast Iron
	A	B	B ¹	C	D	E	F		
W-7401.....	36	23	22 3/4	21	1 3/4	6	24	305	\$25.00
W-7402.....	36	23	22 3/4	21	1 3/4	7	24	360	30.00
W-7403.....	36	23	22 3/4	21	1 3/4	7	24	400	33.00
W-7404.....	36	23	22 3/4	21	1 3/4	9	24	430	35.00
W-7405.....	36	23	22 3/4	21	1 3/4	9	24	540	40.00
W-7406.....	36	23	22 3/4	21	1 3/4	9	28	775	70.00
W-7407.....	42	29	28 3/4	27	1 3/4	6	30	500	50.00
W-7408.....	42	31	30 3/4	27	1 3/4	9	40	1200	125.00

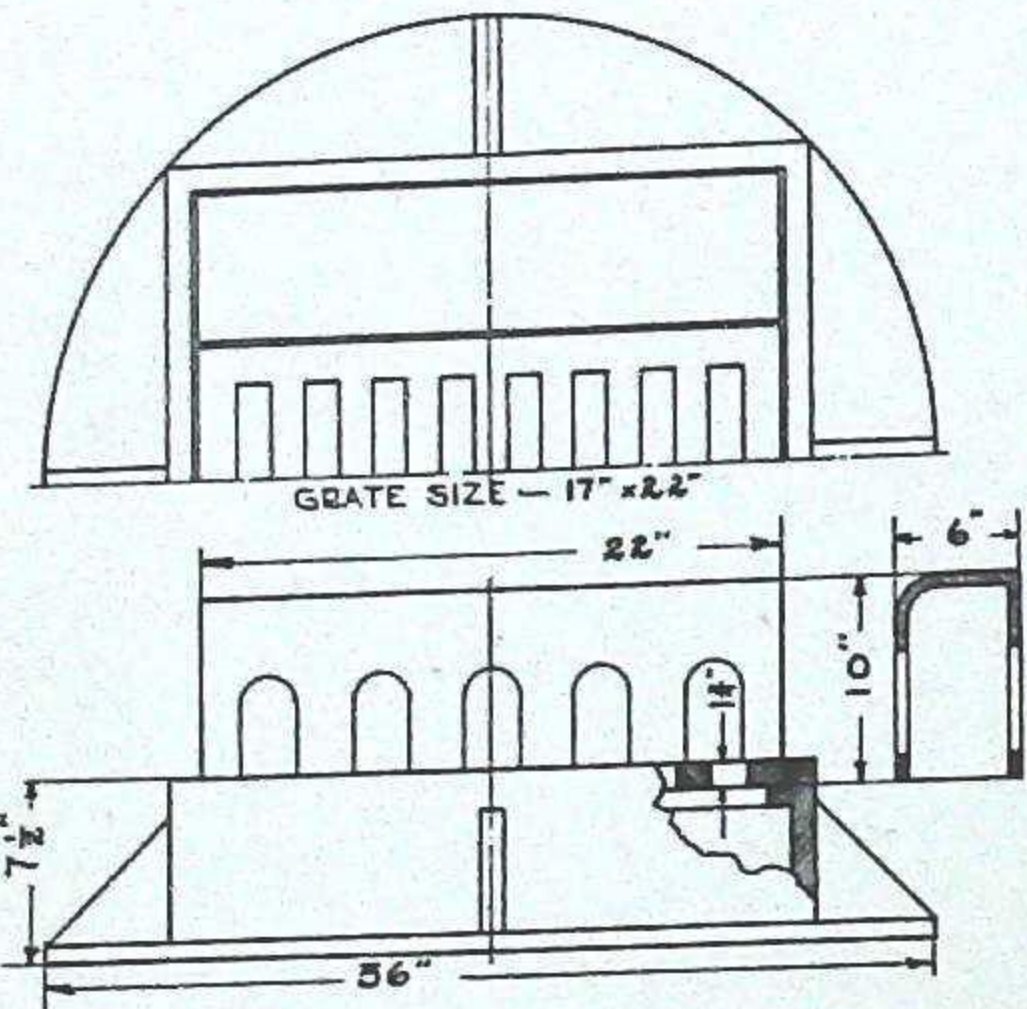
ADJUSTABLE SEWER INLETS

SERIES W-7510

This sewer inlet is adjustable to curb heights from 4" to 9". Curb box is held to frame by means of bolts through back and sides.

Extra heavy cast iron construction will support all loads, and makes a permanent installation.

Weight Complete375 lbs.
List Price\$38.00

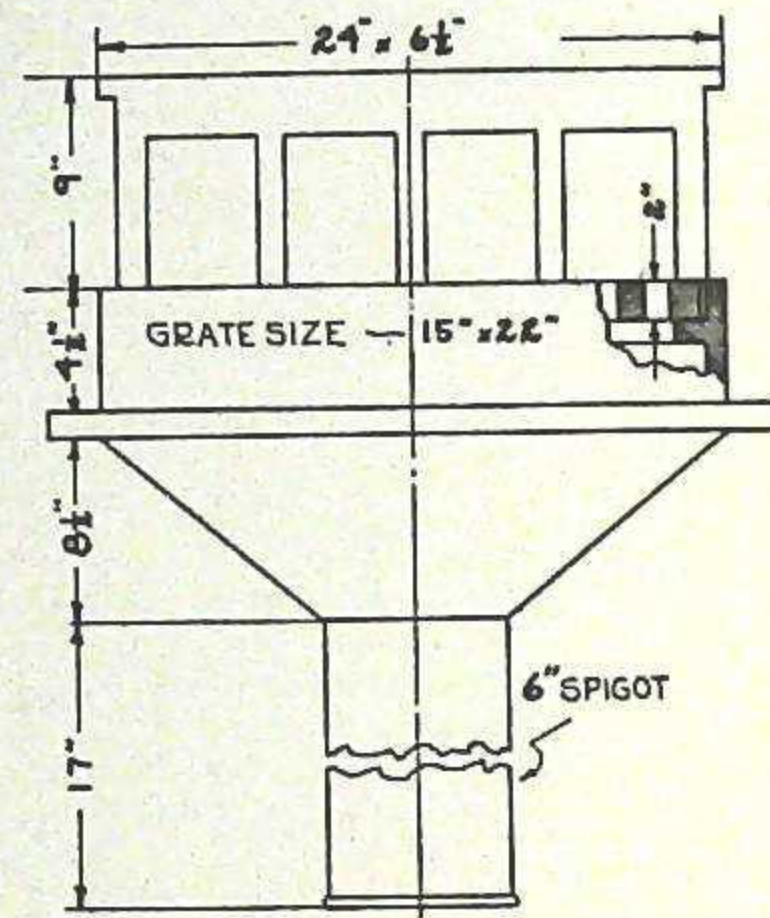


SERIES W-7530

This inlet has the same adjustable feature as Series W-7510 above, but is fitted with extra long 6" spigot for pipe connection.

Extra heavy cast iron construction throughout for all street and highway loads.

Weight Complete500 lbs.
List Price\$63.00



WATER METER FRAMES AND COVERS

SERIES W-7550

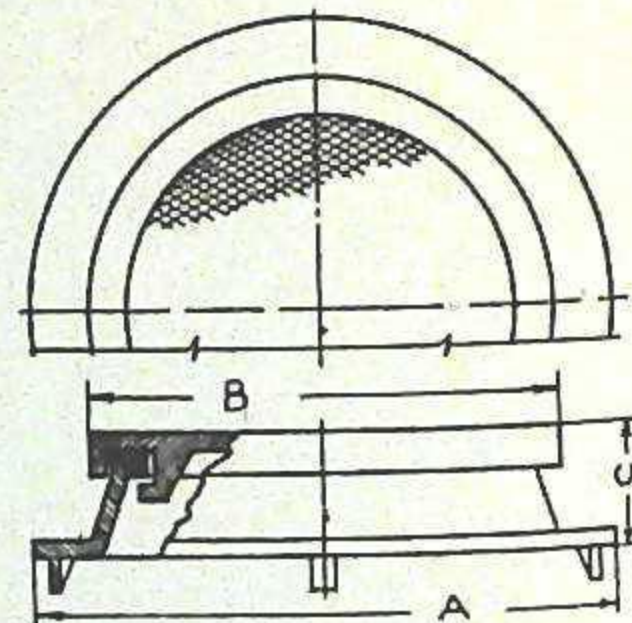
• STANDARD CONSTRUCTION:

- (1) The meter frames and covers listed below are of the heaviest cast iron, and are made to the exacting specifications of city water departments.
- (2) Furnished in sizes shown below in both light and heavy weights; lids are fitted with lifting rings.
- (3) Series W-7560 is a circular type for small meter vaults, and is fitted with a locking type cover.

SPECIFICATIONS AND LIST PRICES

No.	Dimensions						Weight	Extra Heavy Cast Iron
	A	B	C	D	E	F		
W-7551	40	34	32	26	5	3/4	410	\$45.00
W-7552	27	23	22	18	3	5/8	125	24.00
SERIES W-7560								
W-7561	22 3/4	19 3/4	4				71	9.50
W-7562	30 3/4	27 3/4	4				90	11.00

SERIES W-7560



COAL-HOLE AND SIDEWALK FRAMES AND COVERS

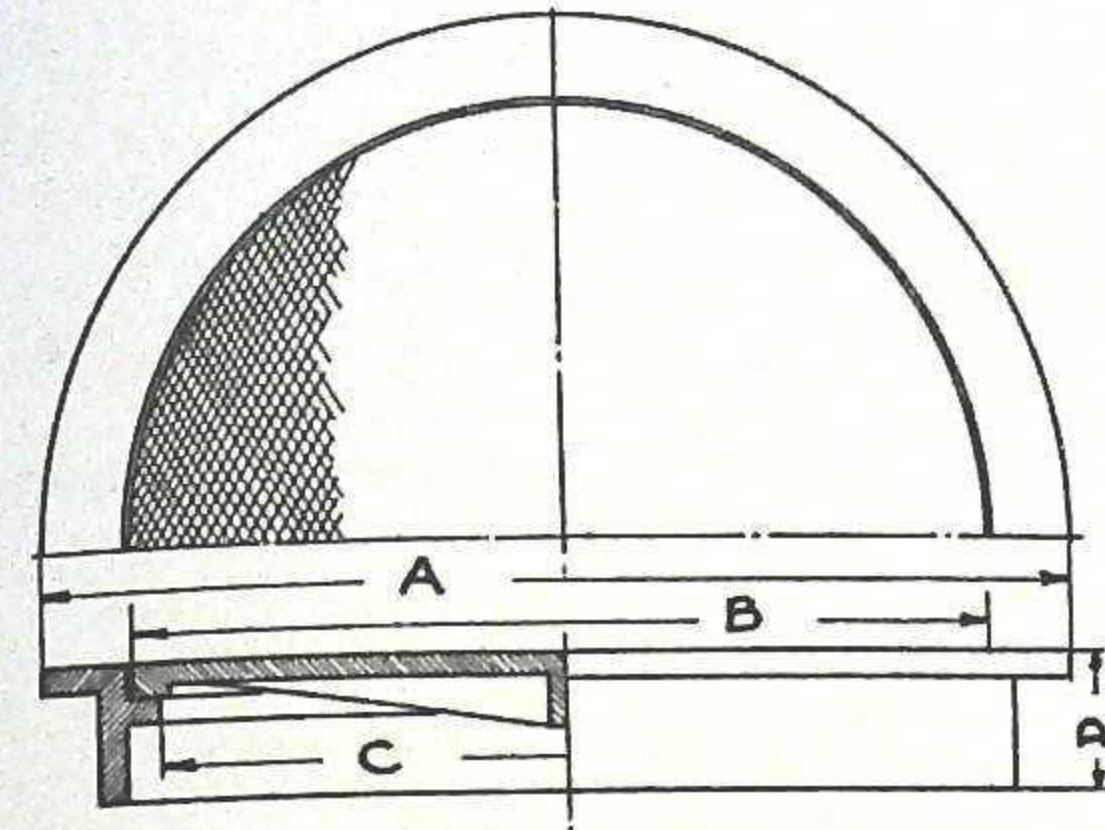
SERIES W-7600

• STANDARD CONSTRUCTION:

- (1) Extra heavy cast iron of varying weights to support light and heavy loads.
- (2) All frames have flange on top, and lids are of corrugated design to prevent slipping.

SPECIFICATIONS AND LIST PRICES

No.	Dimensions				Weight	Extra Heavy Cast Iron
	A	B	C	D		
1	22	18	16	2	50	\$9.00
2	24 1/2	19 1/2	18 1/2	2	70	11.00
3	22 1/4	18	16 1/2	3	120	15.00
4	26 1/2	24	22	3	145	19.50
5	29	21	19	3	145	19.50
6	32	24	22 1/2	4	190	26.00
7	36	30	28	3	200	30.00



EXTRA HEAVY RECTANGULAR FRAMES AND COVERS

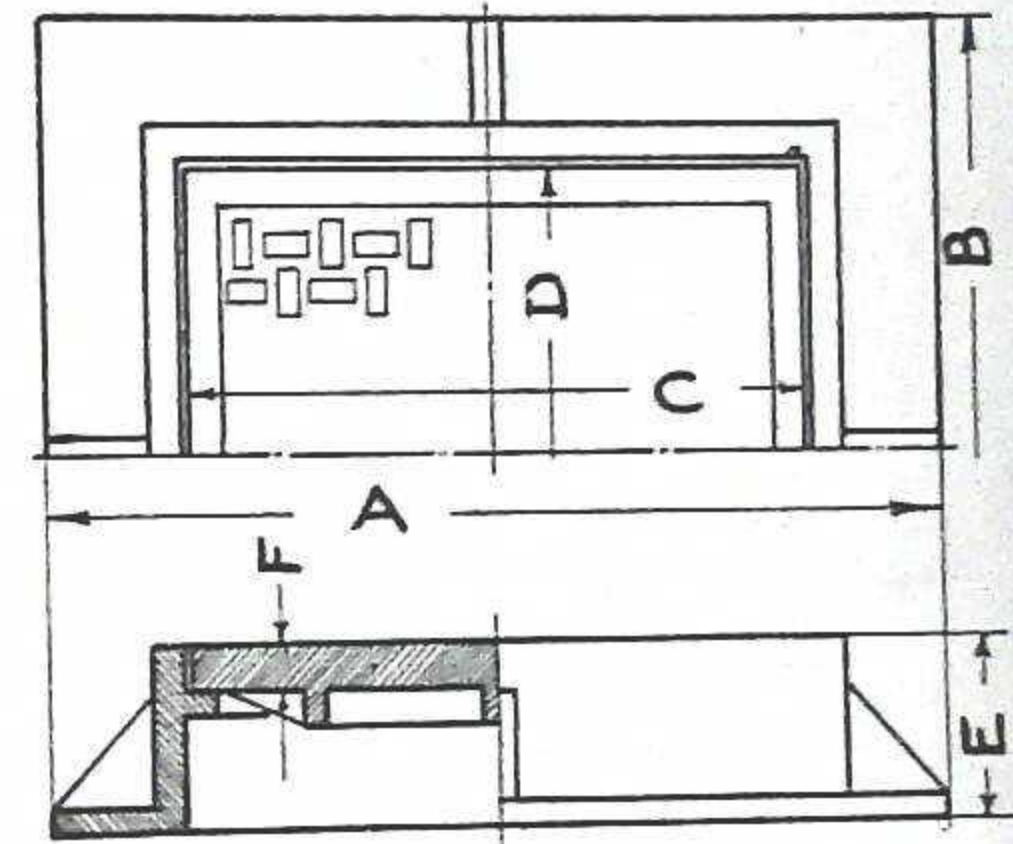
SERIES W-7630

• STANDARD CONSTRUCTION:

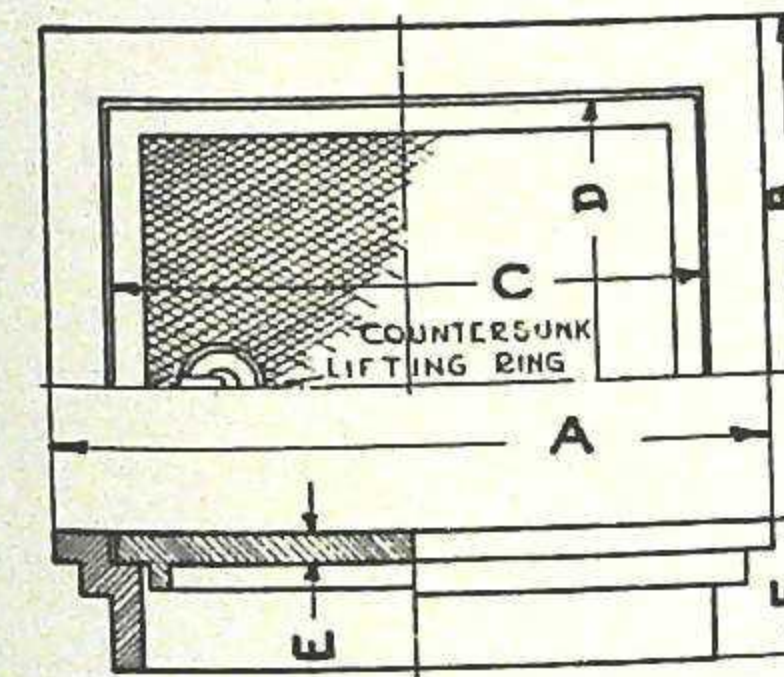
- (1) Made in many sizes and weights as indicated for all loads from sidewalk use up to types suitable for street traffic.

SPECIFICATIONS AND LIST PRICES

No.	Dimensions						Weight	Extra Heavy Cast Iron
	A	B	C	D	E	F		
1	25	19	18	12	4	1/2	120	\$17.00
2	31	23	24	16	4	1/2	155	21.50
3	25	25	20	20	3	3/4	205	23.00
4	27	27	20	20	5 1/2	3/4	225	26.50
5	36	36	24	24	6 1/2	1	400	50.00
6	38	34	30	26	3	1 1/4	420	52.00
7	41 1/4	45 1/4	28 1/4	32 1/4	4 1/2	3/4	475	59.00
8	37 1/2	41 1/2	28 1/4	32 1/4	9	1 5/8	760	85.00



SERIES W-7650



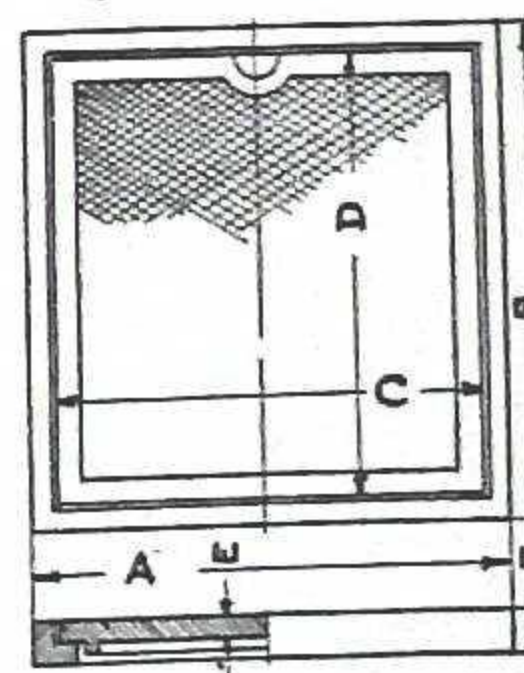
MEDIUM WEIGHT FRAMES AND COVERS

The shallow type frames and covers listed below are made in many sizes and weights for many purposes, such as covering electric conduit manholes, telephone cable manholes, steam pipe tunnels, etc.

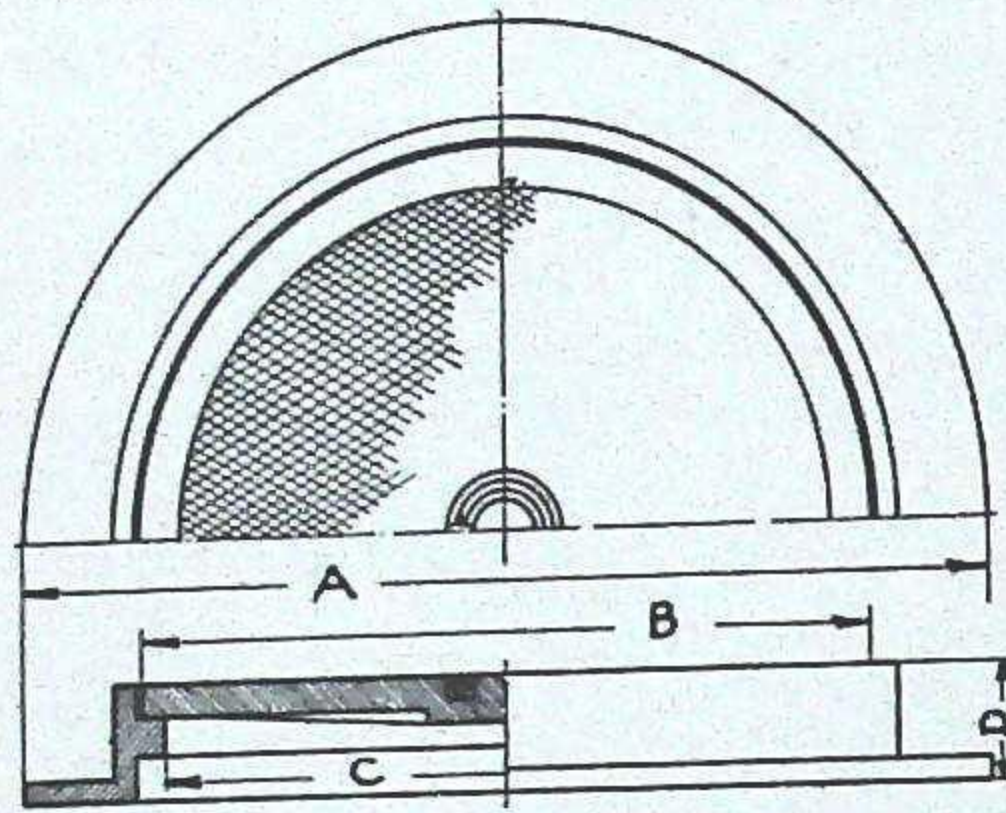
SPECIFICATIONS AND LIST PRICES

No.	Dimensions						Weight	Extra Heavy Cast Iron
	A	B	C	E	F	F		
1	17	17	13	13	5/8	4	50	\$ 9.50
2	18	18	15	15	3/4	4	75	11.00
3	24	24	19 1/2	19 1/2	5/8	4	140	17.50
4	33	33	25 1/2	25 1/2	3/4	4	250	39.00
5	36	36	28 1/2	28 1/2	3/4	4	300	46.50
6	46	46	38	38	1	6	600	100.00
SERIES W-7660								
1	17	15	16	14	1/2	1	38	9.00
2	15 1/4	15 1/4	14	14	1/2	1	36	9.00
3	16	16	15	15	1/2	1	42	10.00
4	22 1/4	18 1/4	21	17	1/2	1	65	11.50

SERIES W-7660



MANHOLE FRAMES AND COVERS WITH LARGE CLEAR OPENING



SERIES W-7710

RECOMMENDED USES:

- (1) Particularly adapted for lawn and sidewalk use over pipe tunnels, etc., and suitable for light traffic. Lid is fitted with countersunk lifting ring.
- (2) Series W-7720 is deeper and is fitted with lugs to receive anchors for concrete slabs.

SPECIFICATIONS AND LIST PRICES

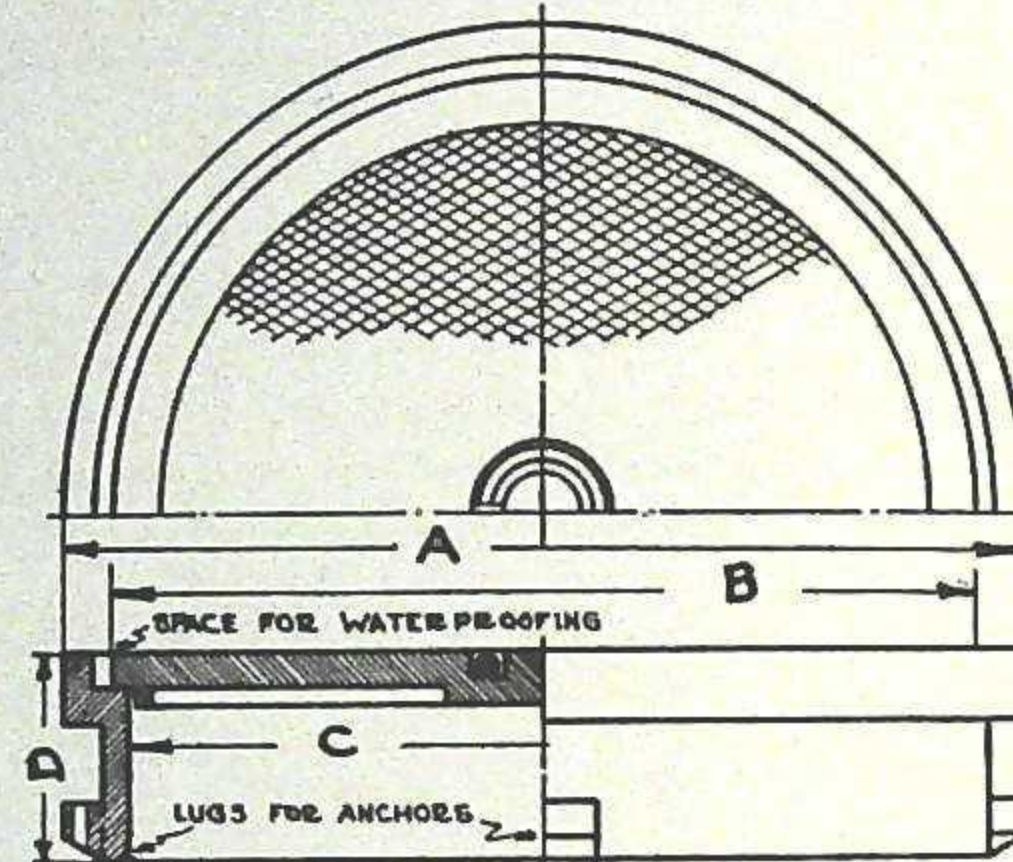
No.		Dimensions				Weight	Extra Heavy Cast Iron
		A	B	C	D		
W-7710	1*	22	18	16½	3	120	\$15.00
	2*	32	24	22	4	300	38.00
	3	34	25½	24	4	300	40.00
	4	34	23	21	4	325	42.00
	5	34½	28¾	27	3	330	43.00

SERIES W-7720

W-7720	1	28½	25½	24	6	260	38.00
--------	---	-----	-----	----	---	-----	-------

*Denotes Reversible Types.

SERIES W-7720



BRASS COVERS FOR TERRAZZO FLOORS

SERIES W-7750

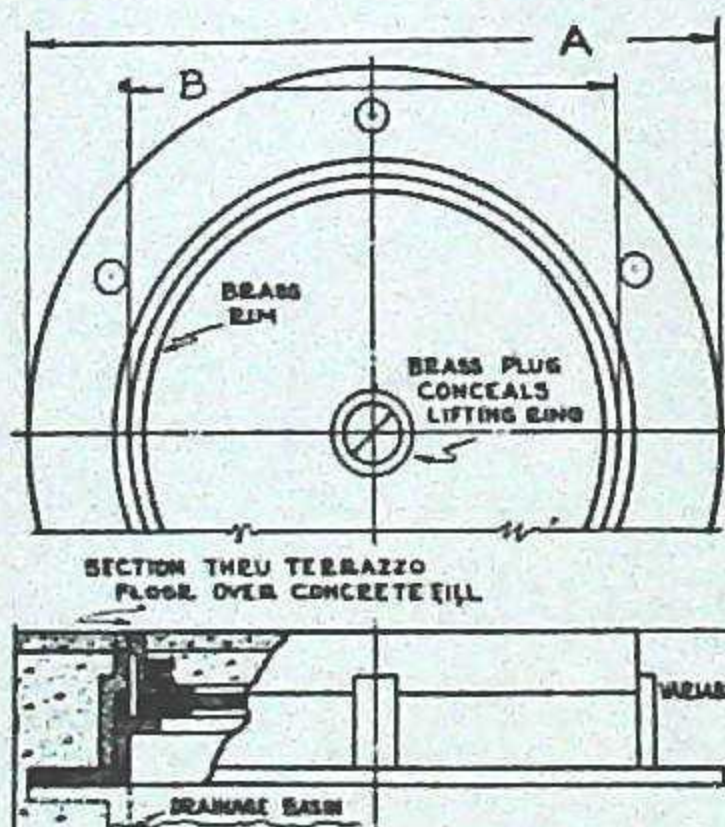
An entirely new cover for use over drainage basins in terrazzo or tile floors. Brass rim only is visible in floor, and brass plug completely conceals ingenious lifting device. Furnished in other metals at added cost.

Rim height is variable to receive pre-determined amount of concrete fill and terrazzo.

SPECIFICATIONS AND LIST PRICES

No.	Dimensions		Weight	Brass Rim and Plug	White Metal Rim and Plug
	A	B			
W-7751	24	20	85	\$40.00	\$60.00
W-7752	28	20	95	42.00	62.00
W-7753	30	20	105	44.00	64.00

Other sizes on application.



EXTRA HEAVY STREET TYPE GUTTER BOXES

SERIES W-7770

RECOMMENDED USES:

- (1) For all municipal uses in streets for curbs, etc., and made to conform to municipal specifications.

STANDARD CONSTRUCTION:

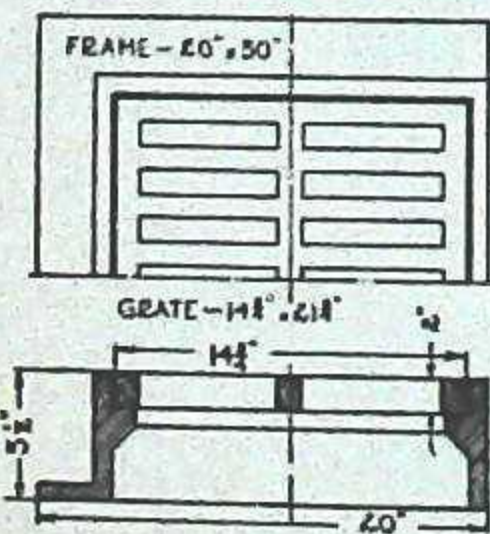
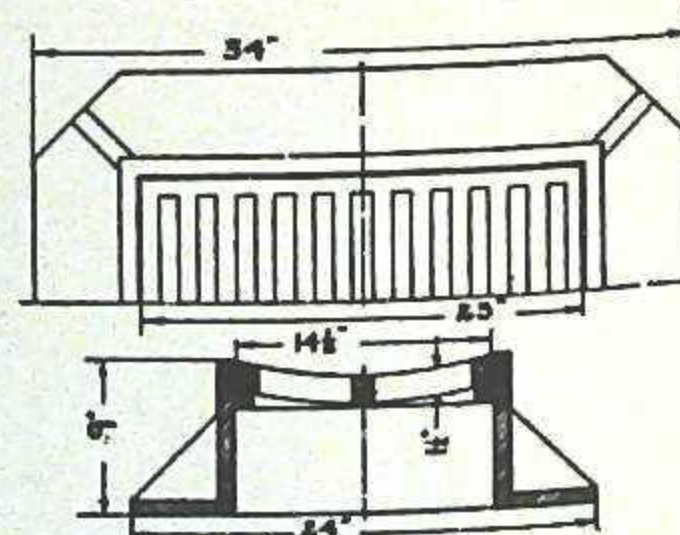
- (1) Extra heavy cast iron throughout to support all traffic.

- (2) Other sizes and types on application.

Weight complete....300 lbs.
List Price.....\$26.00

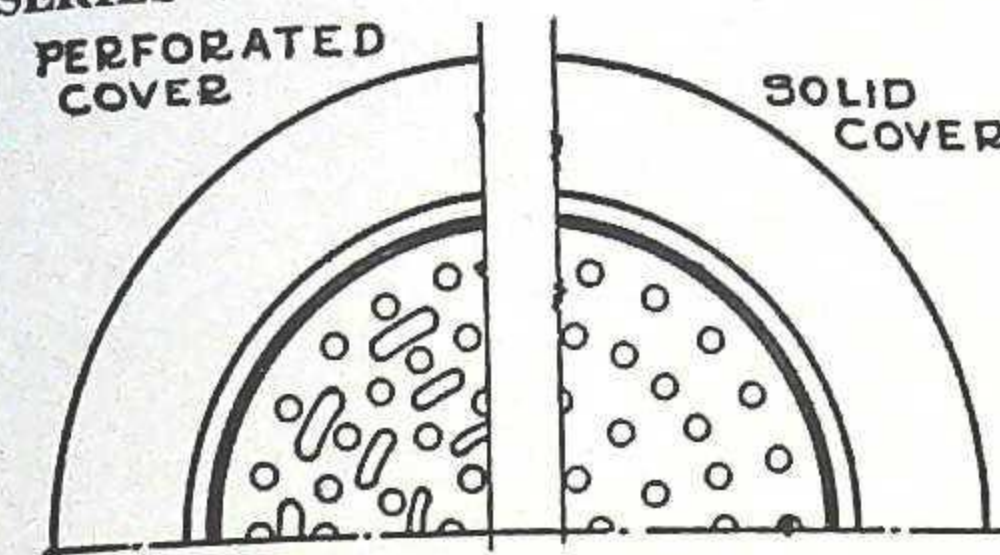
Weight complete....250 lbs.
List Price.....\$24.00

SERIES W-7780

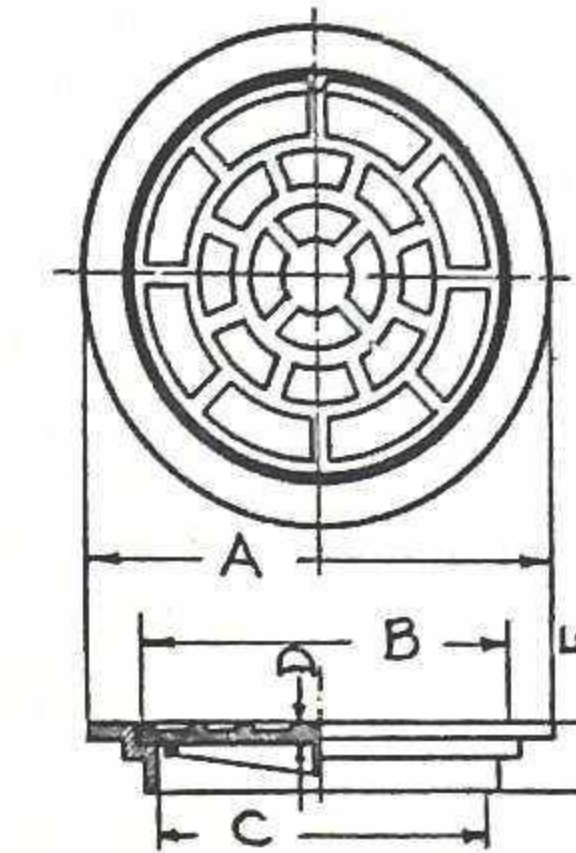


GOVERNMENT TYPE MANHOLE FRAMES AND COVERS

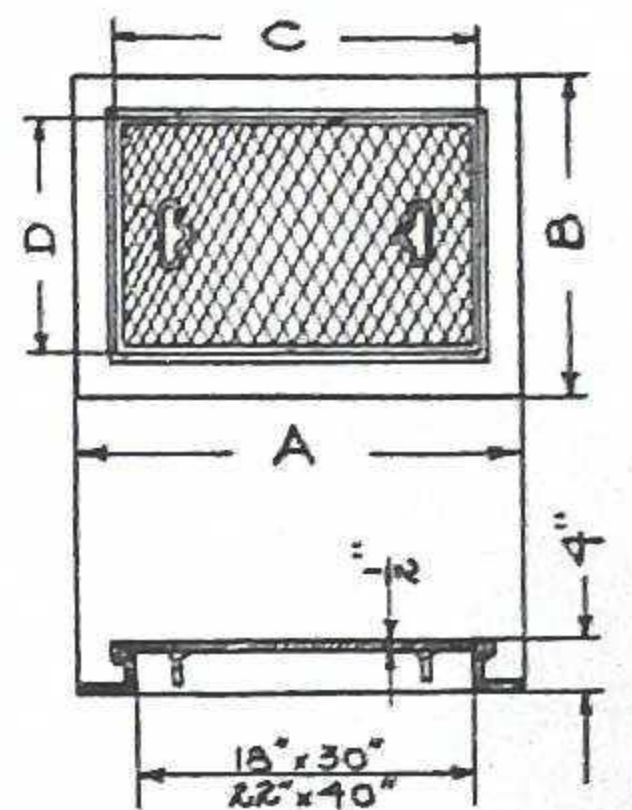
SERIES W-7800
PERFORATED COVER



SERIES W-7810



SERIES W-7820



RECOMMENDED USES:

- (1) All types shown here completely conform to U. S. Government Specification No. 448 in both dimensions and weights.
- (2) See Series W-7400 for similar heavy weight covers in other sizes.

STANDARD CONSTRUCTION:

- (1) Extra heavy cast iron throughout.
- (2) Series W-7820 is furnished with drop type lifting handles.

SPECIFICATIONS AND LIST PRICES

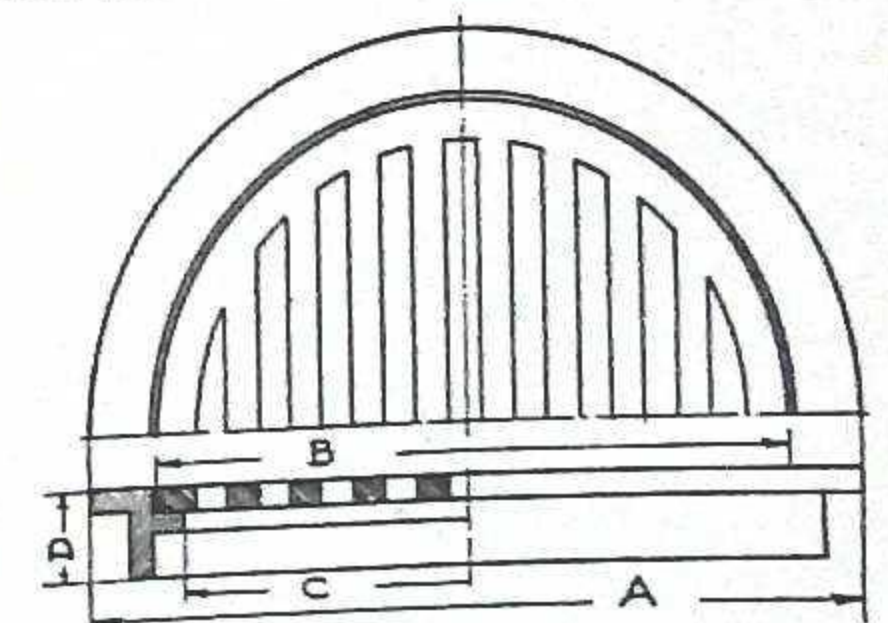
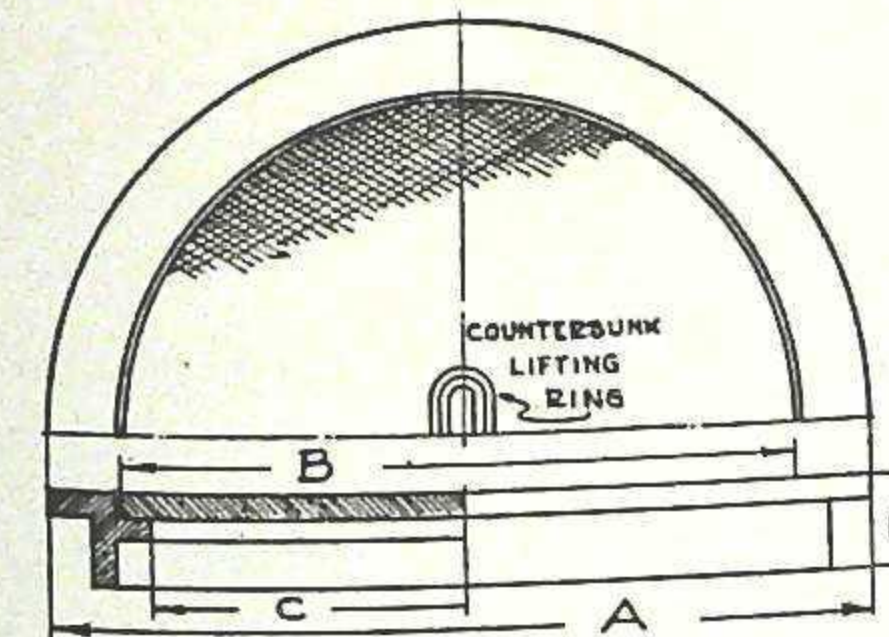
No.	Dimensions						Weight	Extra Heavy Cast Iron
	A	B	C	D	E	F		
W-7801	36	22¾	20¼	1½	8¾	24	350	\$31.00
W-7802	36	22¾	20¼	1½	8¾	24	370	32.00
W-7810								
W-7810	29½	23	20	1¼	4		250	25.00
W-7820								
W-7821	37	25	33	21			260	25.00
W-7822	49	31	43	25			350	32.00

LIGHT WEIGHT SURFACE BASIN FRAMES AND COVERS

SERIES W-7850

RECOMMENDED USES:

- (1) For use over drain tile basins, and in sidewalks, yards, basements, areas, etc., where there is no traffic.
- (2) Grated lid is optional, but is not furnished unless ordered.



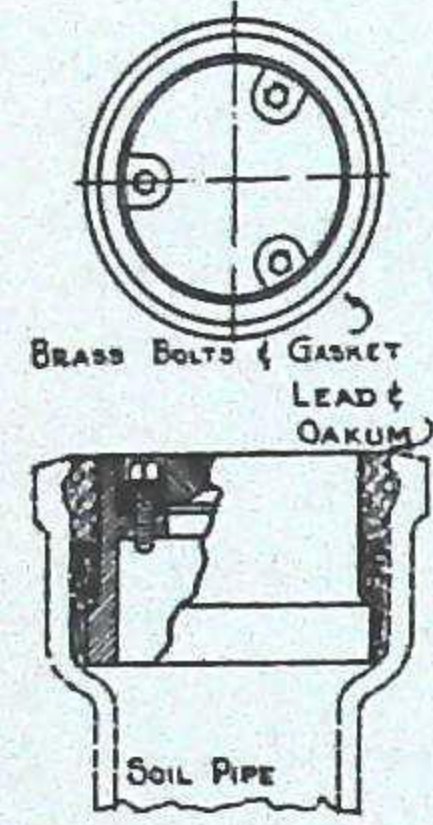
SPECIFICATIONS AND LIST PRICES

No.	Dimensions				Weight	Cast Iron	Cast Brass
	A	B	C	D			
W-7850	22	18	16½	2	55	\$10.00	\$50.00

Specify whether Solid or Grated Lid is wanted.

EXTRA HEAVY BOLTED TYPE CLEANOUT COVERS

SERIES W-7900



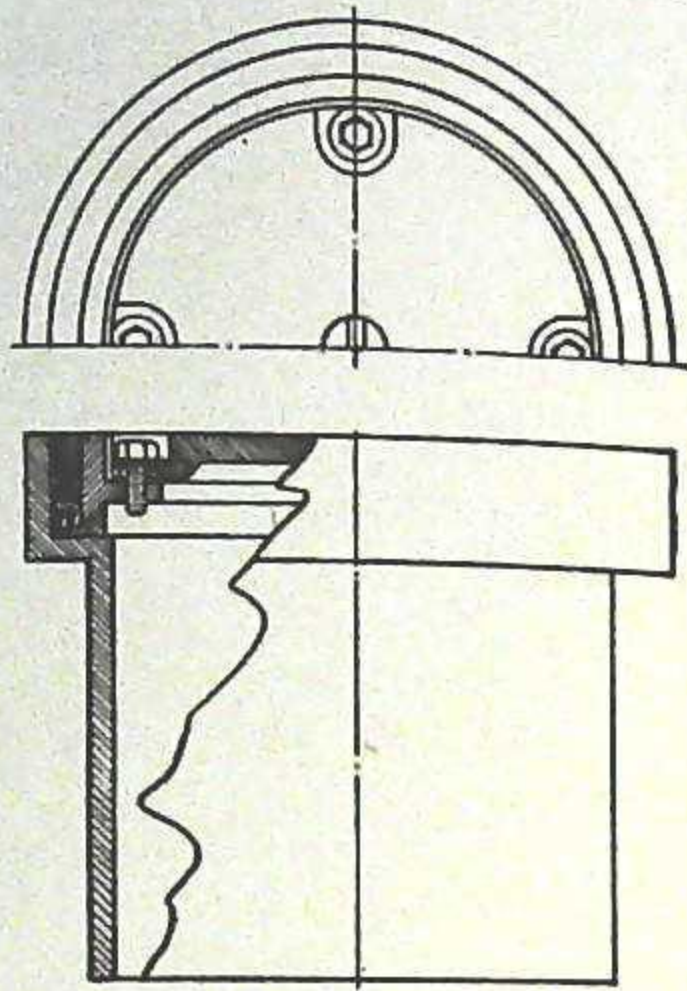
This type of bolted cleanout is designed for soil and tile pipe hubs, and is more easily accessible than standard type. Furnished of extra heavy cast iron with brass bolts and gasket. Also furnished in brass for tile and terrazzo floors.

Adaptable for use with Series W-4650 extension to make sewer accessible at any depth.

SPECIFICATIONS AND LIST PRICES

No.	Nominal Diameter	Weight	W-7900 Complete		W-7910 With 12" Deep Extension		
			Cast Iron		Cast Iron		
			Black	Galv.	Black	Galv.	
1.....	4	7	\$3.25	\$4.75	\$8.00	\$10.75	\$16.00
2.....	6	10	4.25	6.25	10.50	14.00	21.00
3.....	8	12	5.25	7.75	13.00	16.50	25.00
4.....	10	15	6.50	9.75	16.00	16.50	25.00
5.....	14	22	8.50	12.75	21.00	23.50	31.50

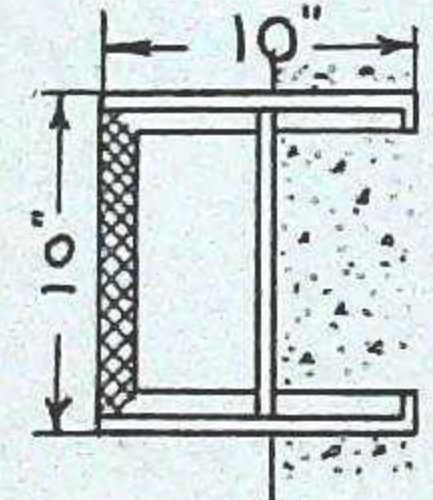
Other sizes on application.



SERIES W-7910

MANHOLE LADDER RUNGS AND CAST IRON STEPS

SERIES W-7930

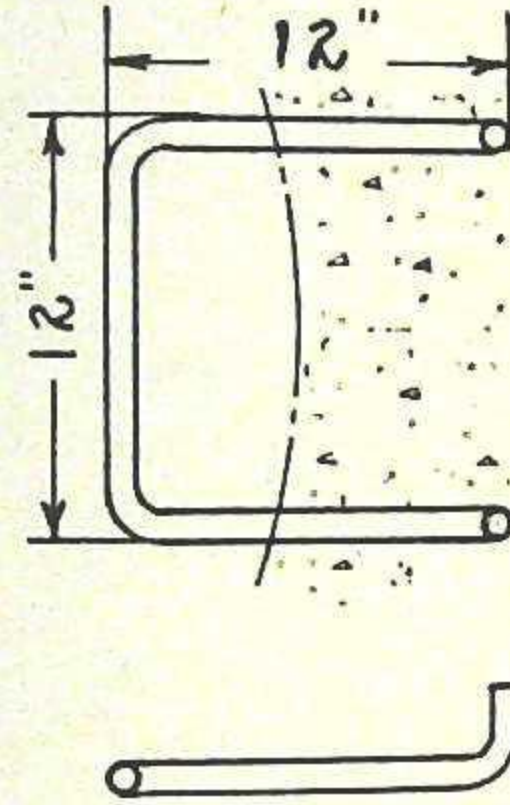


Ladder rungs are of wrought iron regularly furnished in size shown. Other sizes on order.

Manhole steps are of cast iron in size shown.

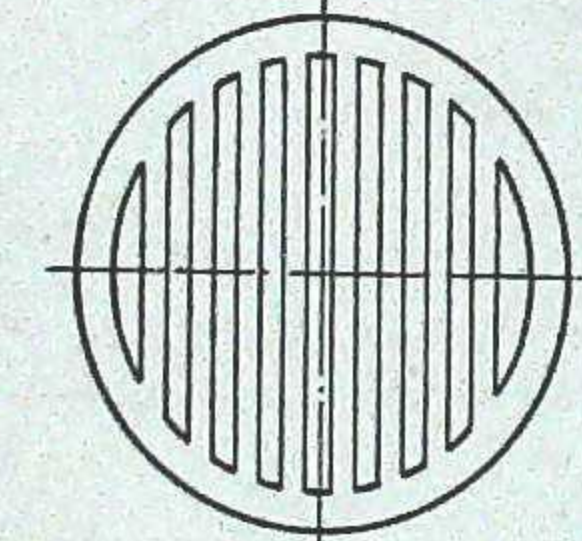
SPECIFICATIONS AND LIST PRICES

No.	Dimensions		Weight	Cast Iron		Wrought Iron	
	Size	Rung Width		Black	Galv.	Black	Galv.
W-7931....	10 x 10	1	10	\$1.35	\$1.80		
W-7932....	12 x 12	3/4	6			\$1.00	\$1.50
W-7933....	12 x 12	1	9			1.35	1.80



ASSORTED CIRCULAR AND RECTANGULAR BAR GRATES

SERIES W-7960



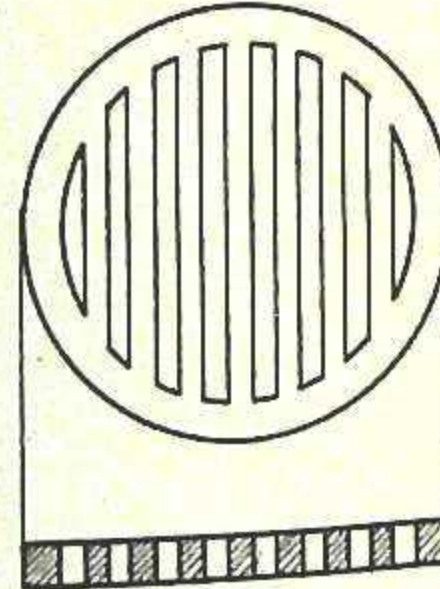
The large variety of grated type covers for all uses makes it impractical to show prices. Many other sizes not shown are available. Prices on all types on application.

SPECIFICATIONS AND LIST PRICES

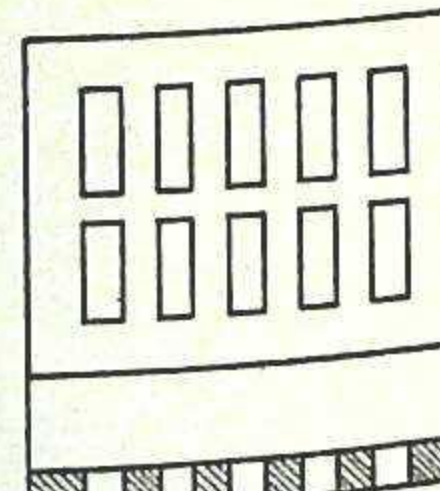
W-7960			W-7970			W-7980		
Diameter	Rim.	C. I.	Dia.	Rim.	C. I.	Size	Rim	C. I.
5 1/2	1		4	5/8		6 x 6	5/8	
7 1/2	1 1/4		5	5/8		6 x 8	5/8	
10	1 3/8		5 1/2	5/8		8 x 20	2	
14	2 1/8		6	5/8		10 x 10	1 1/2	
15	2 1/4		11 1/2	1		14 x 16	1 3/4	
17 1/2	2 1/2		12	1 1/4		14 x 24	1 3/4	
18	2 3/4		13	1 1/2		15 x 23	1 3/4	
28	2 3/4		14 1/2	1 1/2		16 x 16	1 3/4	
		On Application	16	2		18 x 18	1 3/4	
			22 1/2	1 1/2		18 x 18	2	
			24	1 3/4		22 x 28	1	
			27	1 3/4				
			33	1 1/2				

Also made with Convex or Dome Strainers. Price on application. Other sizes on application.

SERIES W-7970

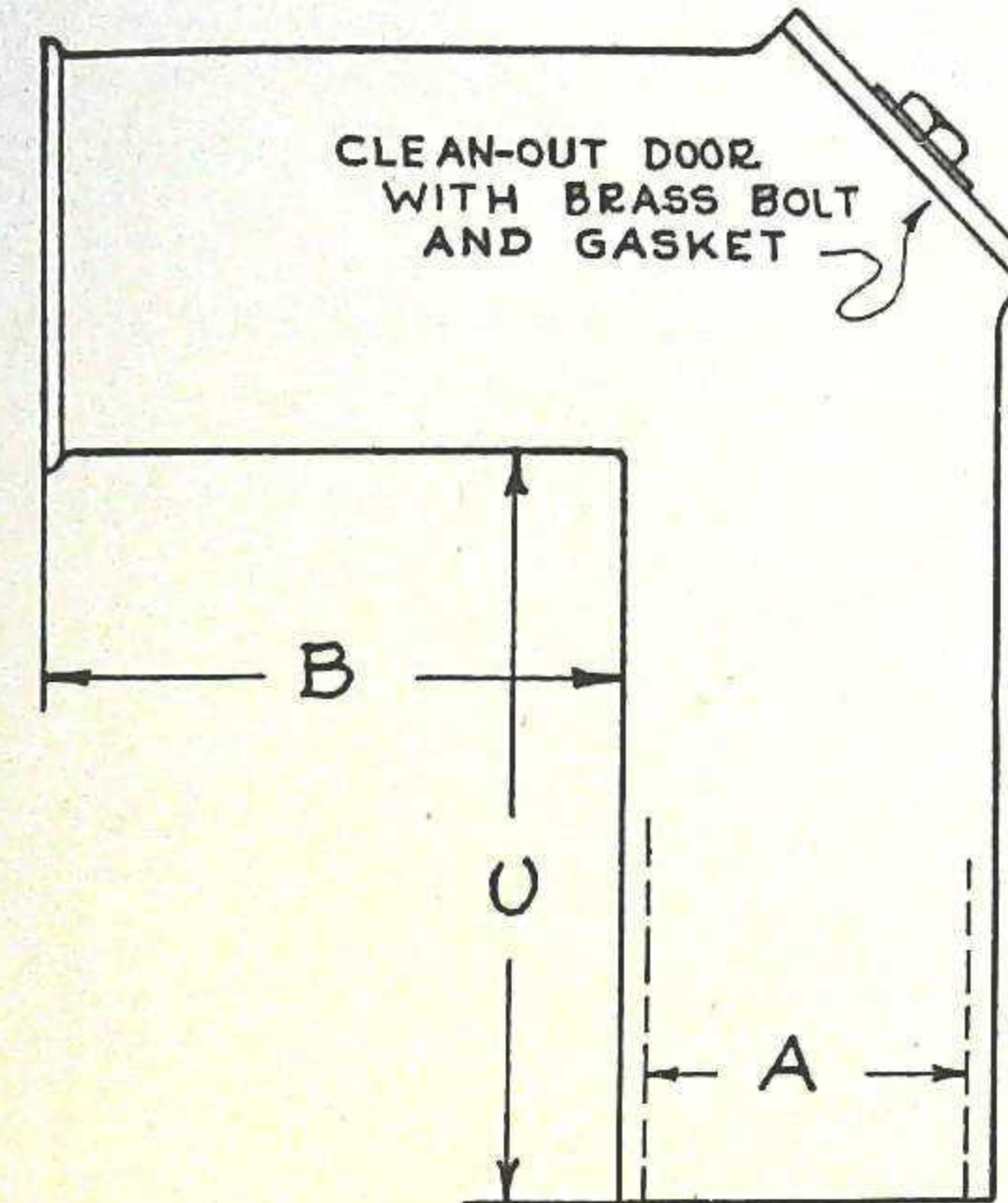


SERIES W-7980



EXTRA HEAVY CAST IRON CATCH BASIN SEALS

SERIES W-8010



RECOMMENDED USES:

- (1) For all brick catch basins where a permanent, sanitary, gas-tight seal is required.
- (2) A cast iron seal should always be used in connection with brick or concrete catch basins. Brick or tile seals are liable to be broken, and are dangerous to health.

STANDARD CONSTRUCTION:

- (1) Extra heavy cast iron with large depth of water seal. Fitted with removable bolted cleanout door with brass bolt.
- (2) Where required for Government Specifications, brass plug can be substituted at extra cost.

SPECIFICATIONS AND LIST PRICES

No.	Dimensions			Weight	Cast Iron	
	A	B	C		Black	Galv.
W-8014.....	4	10	12	35	\$7.00	\$10.50
W-8016.....	6	10	12	55	10.00	15.00
W-8018.....	8	10	12	85	15.00	22.50

Other sizes on application.

EXTRA HEAVY DEEP SEAL TRAPS

SERIES W-8050

RECOMMENDED USES:

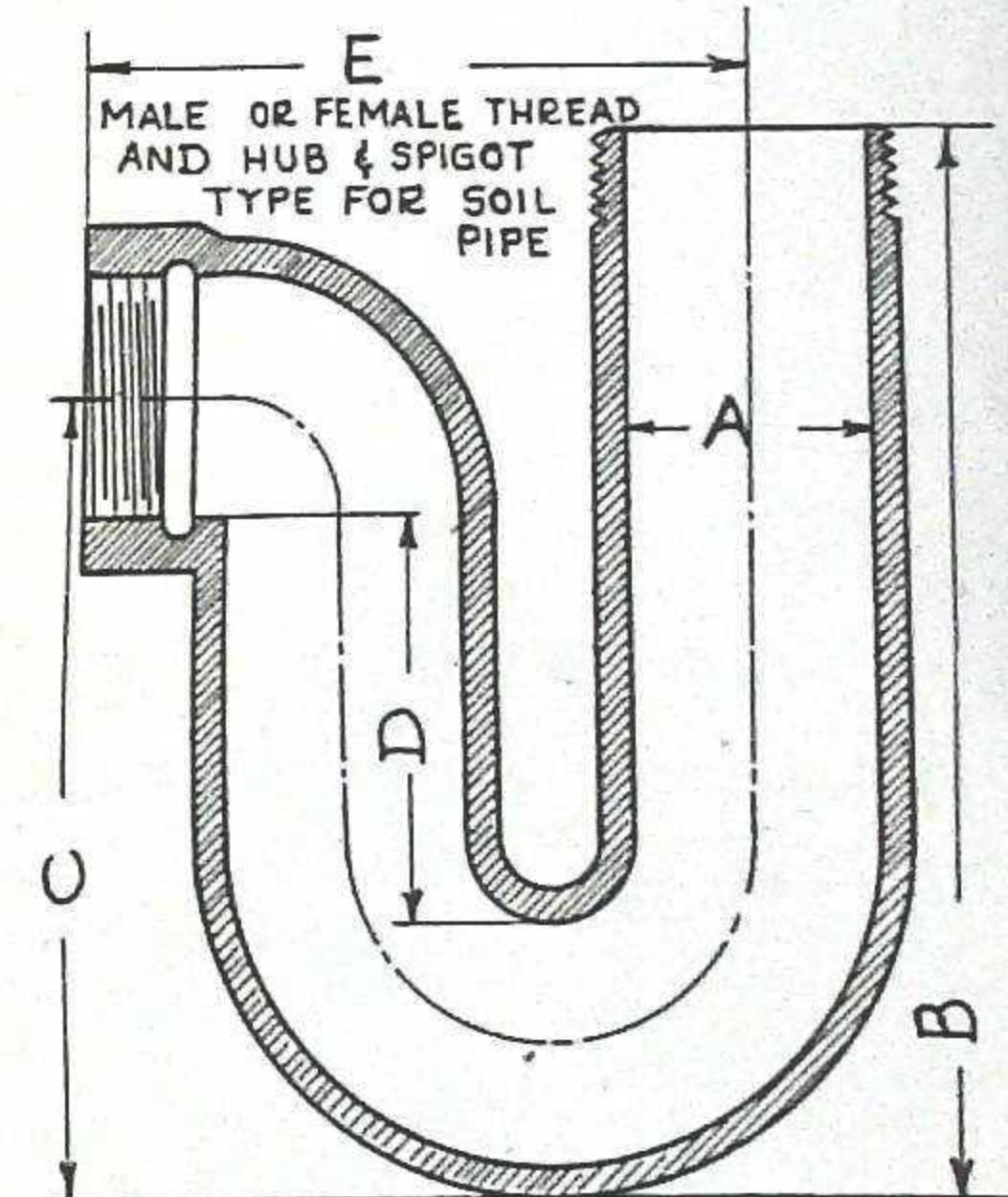
- (1) For all floor drains shown in this catalogue without trap, or wherever a deep seal trap is needed.
- (2) Extra large depth of seal holds great amount of water, retarding evaporation and possible siphoning.

STANDARD CONSTRUCTION:

- (1) Cast iron body with male thread on inlet and female thread on outlet unless otherwise ordered. Other types on order.
- (2) Threaded brass cleanout plug at extra cost.

SPECIFICATIONS AND LIST PRICES

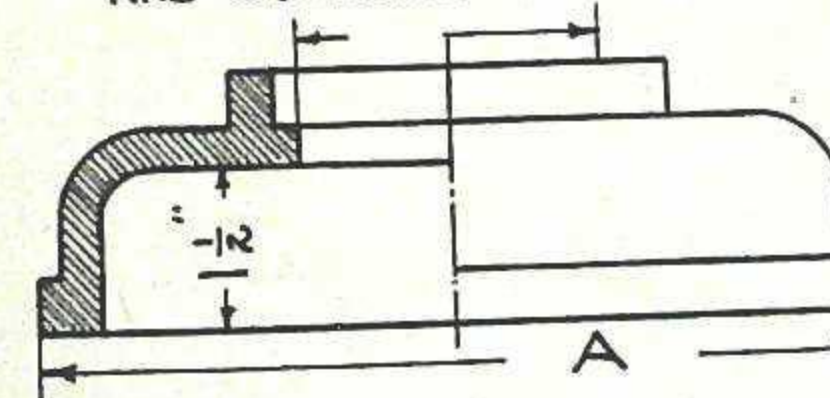
No.	Dimensions					Weight	Cast Iron	
	A	B	C	D	E		Black	Galv.
W-8051....	1 1/2	8	6 3/4	4	5	8	\$4.10	\$6.15
W-8052....	2	9	7 1/2	4	6	10	4.10	6.15
W-8053....	3	12 1/2	9 1/2	5	7 1/2	17	7.00	10.50
W-8054....	4	15	11	5	9 1/2	30	11.80	14.00
Brass Cleanout Plug.....							1.20	1.20



EXTRA HEAVY CAST IRON FLOOR PLATES

SERIES W-8110

OPENING VARIES WITH TYPE, SIZE, AND COVERING OF RISER



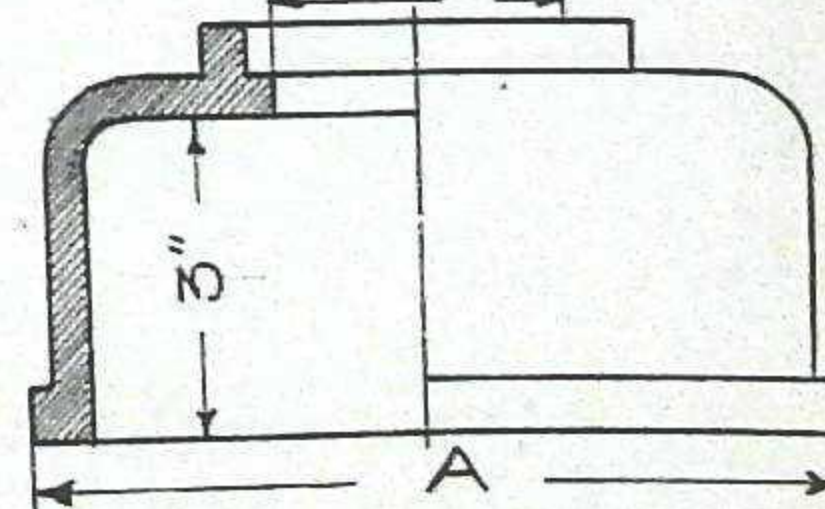
These floor plates are made primarily for use with Series W-3600 floor sleeves. The diameter of the pipe or riser opening and the overall diameter of the plate vary with each job, hence prices are not listed but will be furnished on request.

The heavy construction of these plates makes them particularly adaptable to packing house use and other heavy duty purposes.

The usual inside height of the plates is shown, but other sizes can be furnished on special order.

SERIES W-8120

OPENING VARIES WITH TYPE, SIZE, AND COVERING OF RISER



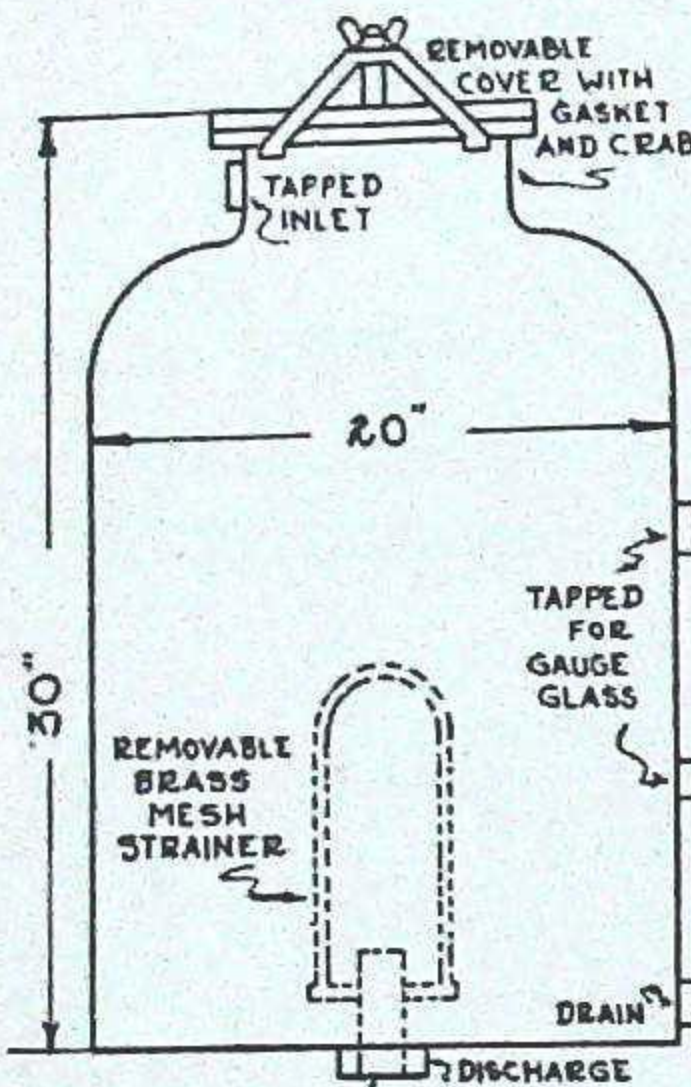
CAST IRON BOILER COMPOUND CHAMBER

SERIES W-8200

Designed particularly for large power house use where a compound feeder chamber of considerable capacity is required. Size and location of openings are optional to meet varying specifications.

Fine mesh brass screen is readily removable, and crab type cast iron cover is securely held by heavy bolt.

On special order other sizes can be made. Price on all sizes and types on application.

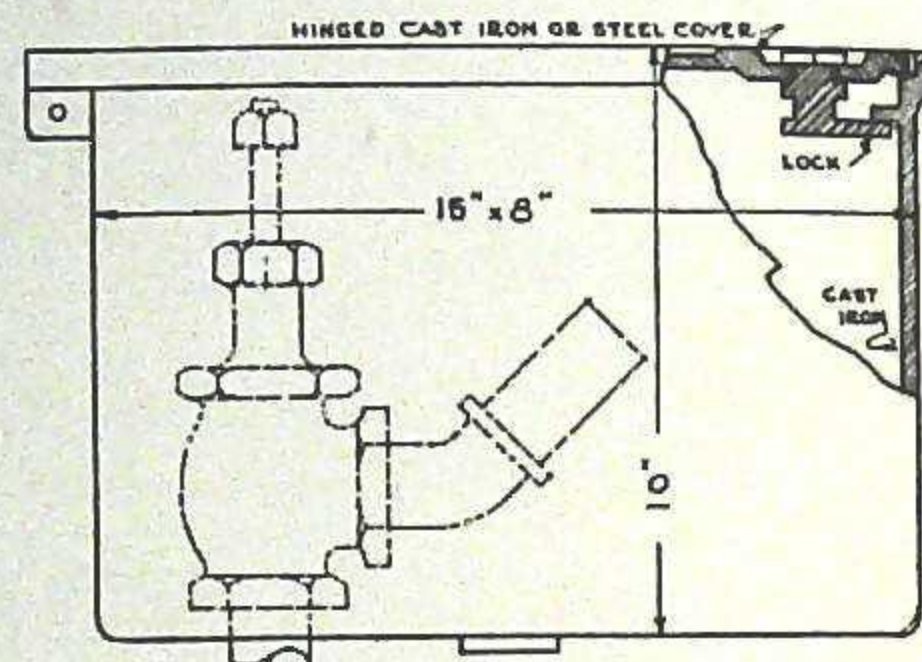


CAST IRON VALVE BOX

SERIES W-8300

Extra heavy cast iron valve box with hinged cast iron cover regularly furnished. For heavy duty use cast steel cover can be substituted at extra cost.

Price on type shown and other sizes not shown will be furnished on request, as one size will not meet all requirements.



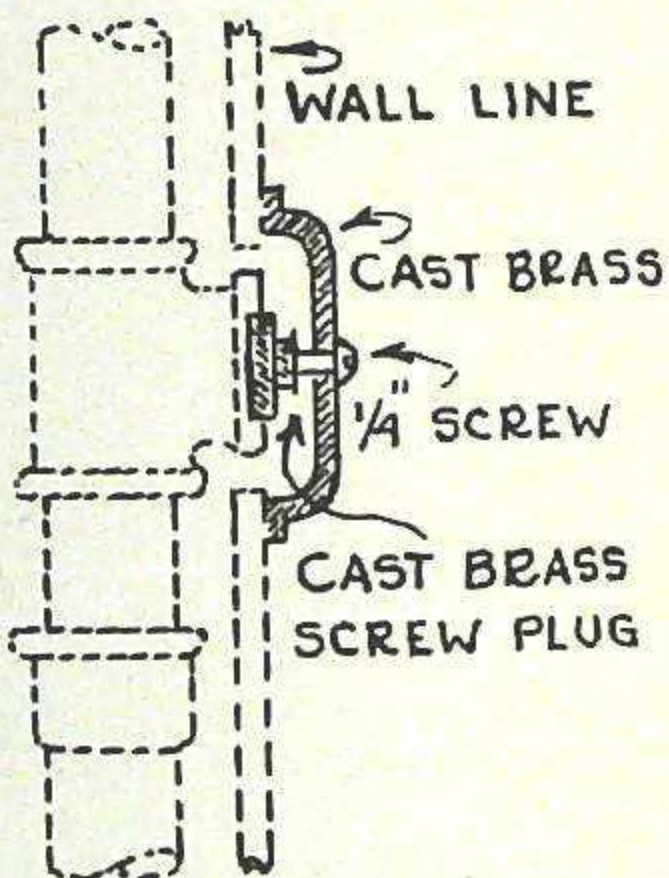
CAST BRASS WALL PLATES AND SCREWS
SERIES W-8610

Conforming to U. S. Specification WW-P-541, E-10n, Fig. 71

LIST PRICES

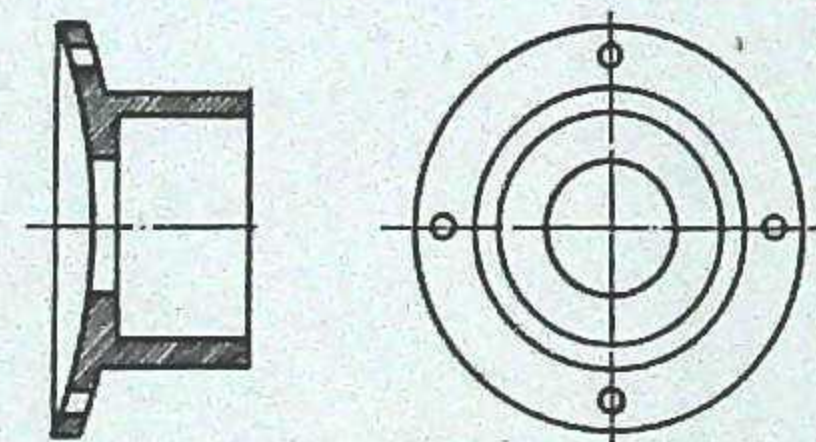
Size	Polished or N. P.	Chro'e Plate	White Metal Polished	White Metal Chrome Plate
1 1/2	\$2.54	\$2.90	\$3.80	\$4.15
2	2.75	3.25	4.10	4.60
3	3.50	4.05	5.20	5.80
4	5.40	6.05	8.00	8.70
5	7.50	8.50	12.00	12.70
6	8.50	9.65	13.30	14.50

For Plug, add Series W-8660.



HUBS FOR BASINS
SERIES W-8400

Made for all sizes of basins shown, and for any type of connection desired.



LIST PRICES

Size	C. I.
2	\$2.50
3	3.00
4	4.00
6	6.00
8	8.00
10	10.00
12	12.00

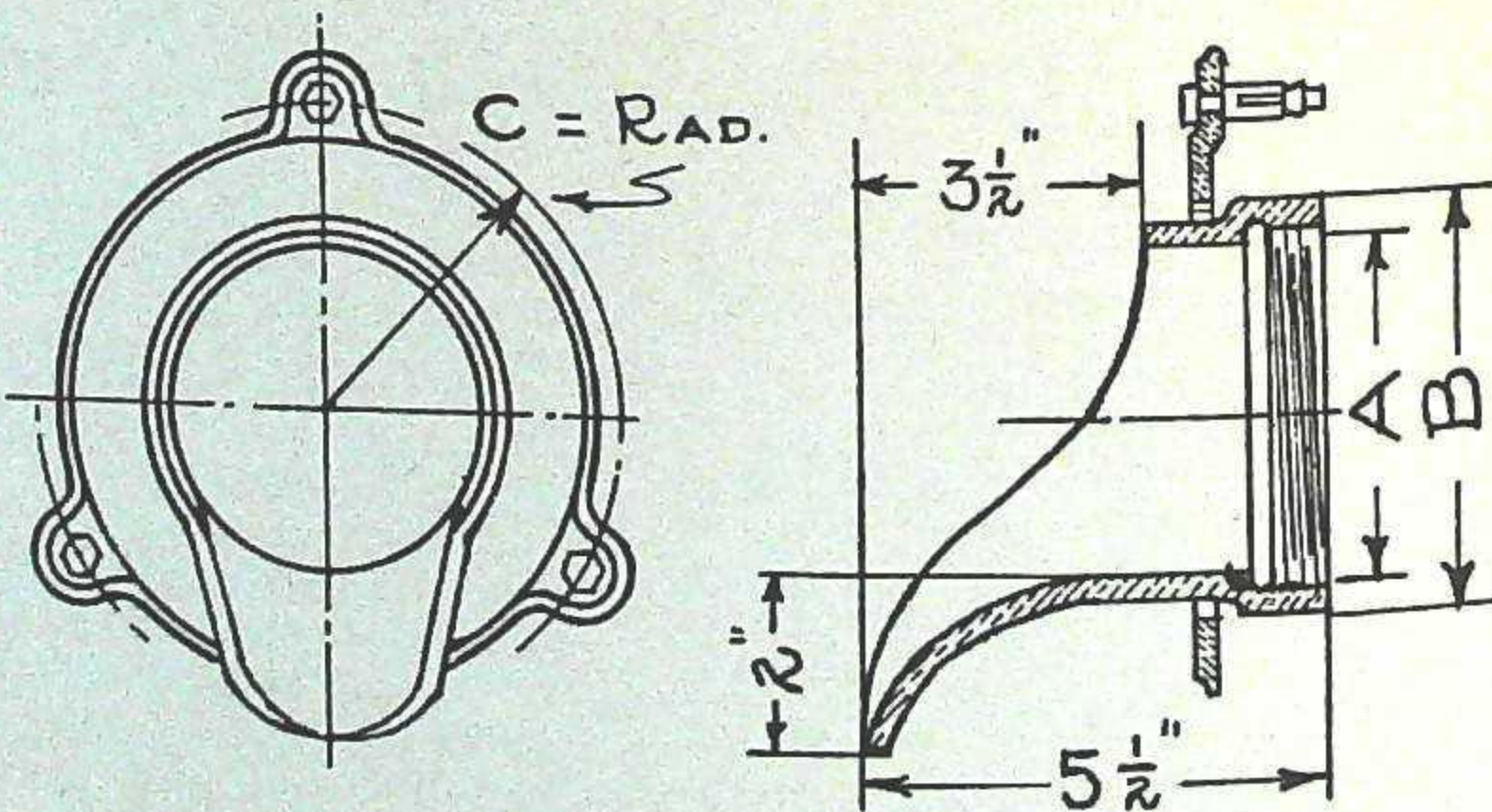
Threaded Hubs extra.

CAST BRASS DOWNSPOUT NOZZLES WITH WALL FLANGES
SERIES W-8620

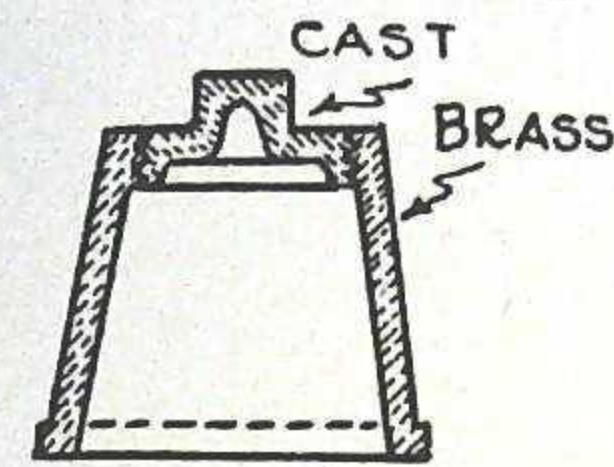
Conforming to U. S. Specification WW-P-541, E-10q, Fig. 78

Size	List Prices
2	\$ 6.10
3	7.00
4	8.60
5	13.50
6	16.50
8	28.00
10	42.50

White Metal at extra cost.



CLEANOUTS FOR CAST IRON PIPE
SERIES W-8630



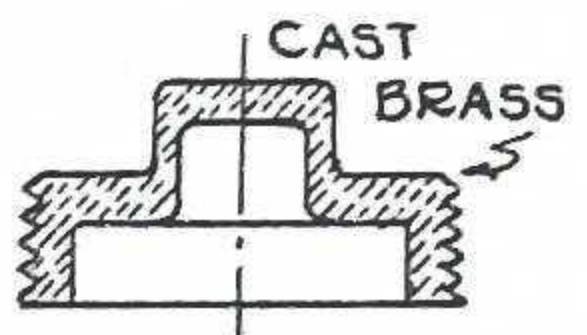
Conforming to U. S. Specification No. 448, Fig. 2, Detail 5. Bodies and Covers are of heavy Cast Brass.

LIST PRICES

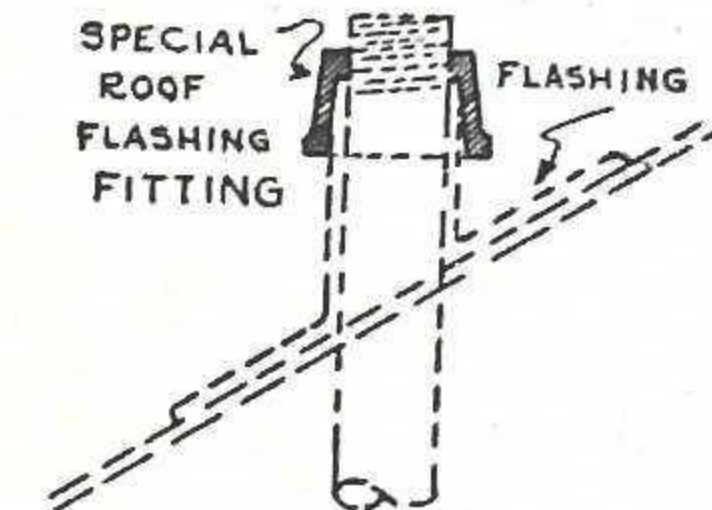
Size	Height of Body	Rough Cover	Polished Cover
2	3	\$1.05	\$1.30
3	3 5/8	1.65	2.05
4	4	2.60	3.05
5	4	4.80	5.45
6	4	6.80	7.70
8	4	14.00	15.00
10	4	27.50	31.00
12	4	35.00	39.50

BRASS CLEANOUT PLUGS
SERIES W-8660

Size	List Prices
1 1/2	\$0.35
2	.43
3	1.00
4	1.40
5	2.35
6	2.80
8	5.65
10	8.75
12	12.50



ROOF FLASHING FITTINGS
SERIES W-8670

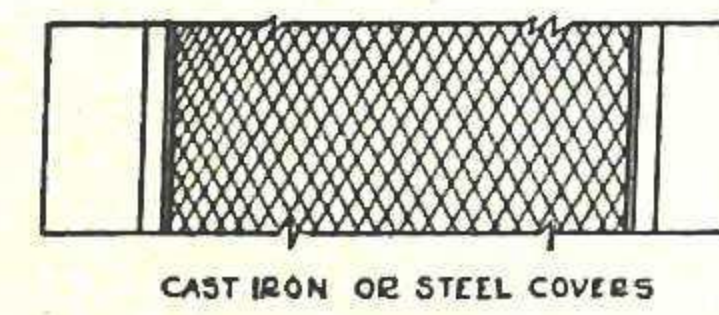


Conforming to U. S. Specification No. 448, Fig. 1, Detail 5.

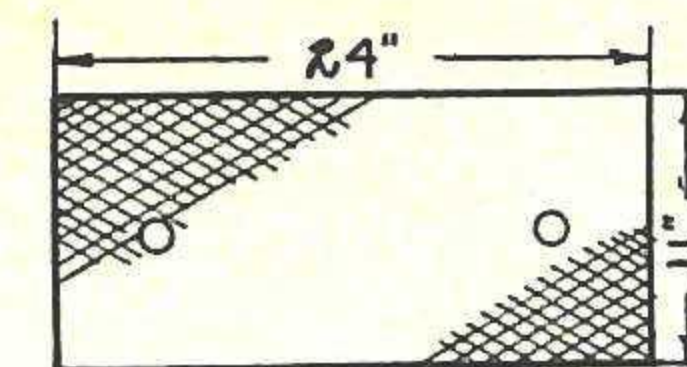
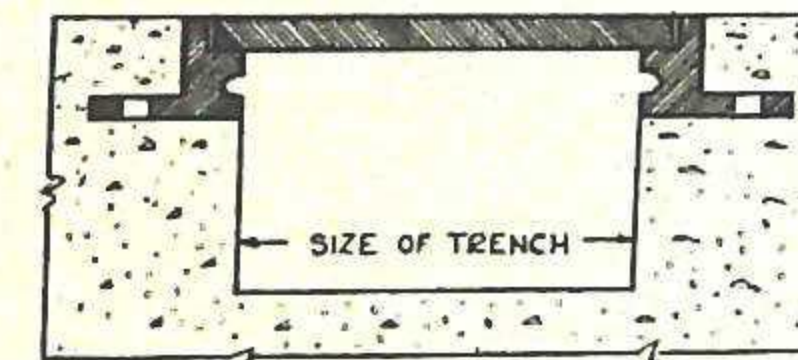
LIST PRICES

Fitting Only, Size	C. I.	Galv.	Brass
1 1/4", 1 1/2", 2"	\$0.60	\$0.85	\$ 1.80
3"	.95	1.40	2.90
4"	1.40	2.10	4.20
5"	2.00	3.00	6.00
6"	3.10	4.60	9.50

TRENCH CURBS AND PLATES
SERIES W-8640



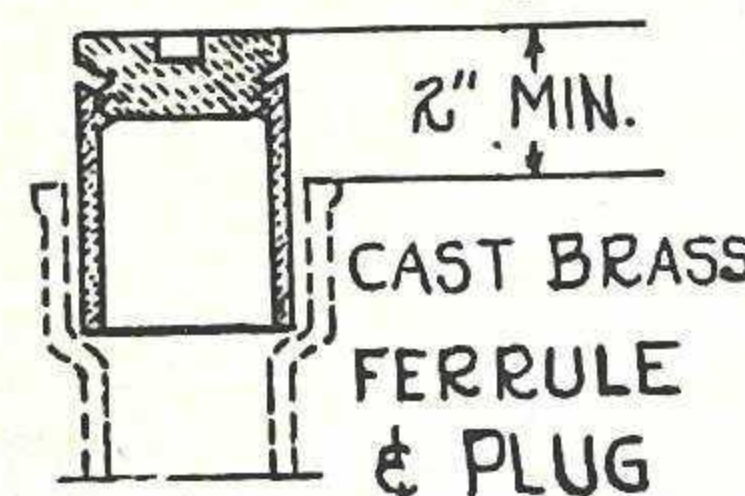
Cast Iron Plates with or without frame. Also with Steel Plates where required at extra cost. Other sizes and prices on application.



LIST PRICES

Cast Iron Plate, 8" trench size only	\$2.35
Cast Iron Frame, (+) per ft.	1.00

EXTRA LONG CLEANOUTS FOR CAST IRON PIPE
SERIES W-8650



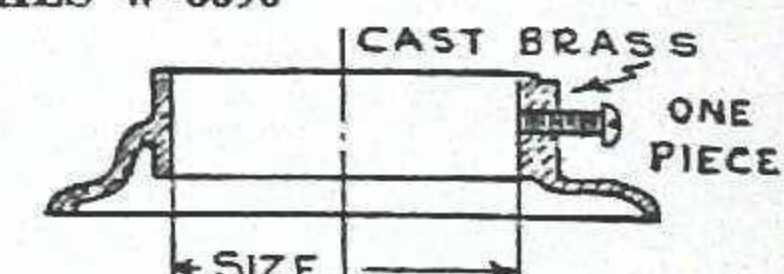
Minimum projection of 2" above soil pipe hub. Bodies and Covers heavy cast brass. Covers furnished raised nut, countersunk, plug or flanged at same price.

Size	List Prices	Size	List Prices
2	\$1.58	6	\$7.65
3	2.35	8	19.50
4	3.20	10	33.00
5	6.60	12	42.50

Polished or Plated Finish at added cost.

FLOOR AND CEILING PLATES
SERIES W-8690

Conforming to U. S. Specification No. 448, Page 10, Sec. 17. Solid one-piece with Set Screw.



LIST PRICES

Size	C. I.	N. P. or C. P. Brass	Size	C. I.	N. P. or C. P. Brass
1 1/2"	\$0.14	\$0.70	3"	\$0.59	\$2.40
2"	.17	.80	4"	.80	4.00
3"	.19	.90	5"	1.15	5.70
4"	.21	1.00	6"	1.50	7.40
5"	.29	1.40	8"	3.10	15.50
6"	.33	1.70	10"	3.80	19.50
8"	.43	2.10			

INDEX

	Page
A	
Air Inlet.....	41
Angle Drains:	
Floor and Shower.....	9
Parapet.....	33
Swimming Pool.....	27
Areaway Drains.....	10, 11, 12, 15, 16, 17, 18, 19, 23
Automatic Backwater Valves.....	36, 37, 39, 40, 41
B	
Backwater Valves.....	36 to 41
with extensions.....	37
with threaded brass cleanouts.....	37
Balcony Drains.....	32
Basement Drains.....	10 to 23
Basins.....	45 to 51
Bilge.....	51
Blow-off.....	50
Bungalow.....	47
Catch.....	45, 46, 47
Drain Tile.....	48
Ejector.....	51
Extensions for.....	40, 45
Floor Drain.....	18, 19
Garage.....	49
Gravel.....	45, 46
Grease.....	45, 46, 47
Mud.....	18, 19
Settling.....	45, 51
Steam.....	50
With Backwater Valve.....	48
Boiler Room Drains.....	10, 11, 13, 16, 18, 19, 20, 21, 22
Buckets, Drains with.....	15, 16, 17, 18, 19, 21, 23
Boxes, Gutter.....	58
C	
Catch Basins.....	45, 46, 47
Ceiling Plates.....	63
Cellar Drainers.....	52
Cesspools.....	10, 11, 12, 15, 16, 17, 18, 23
Check Valves.....	36, 37, 39
Cleanout:	
Drains with.....	15, 19, 20, 21, 22
Frames and Covers.....	57, 59, 60
Plugs.....	60, 63
Cleanouts.....	60, 63
Compound Feeder.....	62
Condensation Basins.....	50
Connectors:	
Downspout Leader.....	34
Cooling Basins.....	50
Cornice Drains.....	32
Covers and Frames.....	53 to 59
D	
Deck Drains.....	29, 30, 31, 32
Deck Plugs.....	63
Deep Seal Traps.....	61
Downspout Heads.....	28 to 34
Downspout Nozzles.....	62
Drains:	
Angle.....	9, 27, 33
Areaway.....	10, 11, 12, 15, 16, 17, 18, 19, 23
Backwater Valve.....	7, 12, 20, 21, 22, 26, 40
Balcony and Cornice.....	32
Basement.....	10 to 23
Boiler Room.....	10, 11, 13, 16, 18, 19, 20, 21, 22
Deck.....	29, 30, 31, 32
Floor.....	4 to 23
Garage.....	10 to 21, 49
Gutter.....	14, 17, 25, 31
Hospital.....	8
Hydrant.....	23
Overflow.....	27, 33
Promenade.....	10, 11, 29, 30, 31
Roof.....	28 to 34
Scum Gutter.....	25
E	
Eccentric Collar Drains.....	7
Ejector Basins.....	51
Electric Backwater Valve.....	38
Electric Cellar Drainer.....	52
Electric Conduit Backwater Valve.....	40
Electric Pumps.....	52
Elevator Pit Drains.....	10, 11, 16, 18, 20, 21
Expansion Joints.....	34
Extensions.....	40
F	
Feeder, Compound.....	62
Fittings:	
Swimming Pool.....	24 to 27
Backwater Valve.....	36 to 41
Flap Valves.....	41
Flashing Roof Fittings.....	35, 63
Floor Drain Basins.....	18, 19
Floor Drains.....	4 to 23
Frames and Covers.....	53 to 59
G	
Garage Basins.....	49
Garage Drains.....	10 to 21, 49
Gas Separating Basins.....	49
Grates, Trough.....	27
Miscellaneous.....	60, 63
Gravel Basins.....	45, 46
Grease Basins.....	45, 46, 47
Grease Interceptors.....	42, 43, 44
Grease Traps—"Self-Skim".....	42, 43
Gutter Drains.....	14, 17, 31, 25
H	
Hair Interceptors.....	44
Hoppers, Slop.....	23
Hospital Drains.....	8
Hubs.....	62
Hydrant Cesspool Drains.....	23
I	
Industrial Drains.....	10 to 23
Inlets, Swimming Pool.....	24
Interceptors:	
Gasoline.....	49
Grease.....	42, 43, 44
Hair.....	44
Oil.....	44
Plaster.....	44
"Self-Skim".....	42, 43, 44
Swimming Pool.....	27
J	
Joints, Expansion.....	34
Joint, Slip, Roof Drain.....	33
K	
Kitchen, Grease Traps.....	42, 43
L	
Laundry Drains.....	10, 11, 15, 16, 17, 18, 19, 21, 23
Lavatory Room Drains.....	4, 5, 6, 7
Lock-Out Valve.....	40
M	
Manhole Frames and Covers.....	53 to 59
Meter Frames and Covers.....	56
Mud Basins.....	18, 19
N	
Natatorium Drains.....	24 to 27
Nozzles, Downspout.....	62
O	
Oil Interceptors.....	44
P	
Packing House Drains.....	10 to 14, 16, 17, 18, 20, 21, 22
Parapet Drains.....	33
Plates:	
Floor and Ceiling.....	61, 63
Trench.....	60, 63
Plugs:	
Cleanout.....	63
Deck.....	63
Promenade Deck Drains.....	10, 11, 29, 30, 31
Pumps:	
Bilge.....	51
Cellar Drainer.....	52
Ejector.....	51
Pylon Step Drains.....	32
R	
Railroad Drains.....	10, 13
Rings and Covers.....	53 to 59
Roof Connections.....	34
Roof Drain Basins.....	46
Roof Drains.....	28 to 35
S	
Sand Basins.....	18, 19
Scum Gutter Drains.....	25
Scuppers.....	33
Seals.....	61
Sectional Basins.....	51
Sediment Bucket Drains.....	14 to 19, 21, 23
Sediment Interceptors.....	27, 44
Separating Basins.....	49
Settling Basins.....	45, 46, 51
Sewer Pipe Grates.....	60
Sewer Valves.....	36 to 41
Shower Stall Drains.....	4 to 7
Sill Drains.....	32
Sleeves:	
Expansion.....	34
Floor.....	35
Roof.....	35
Slop Hoppers.....	23
Stable Cesspools.....	23
Steam Basins.....	50
Strainers Heads, Brass.....	9
Sumps.....	51
Swimming Pool Fittings.....	24 to 27
T	
Traps:	
Basin.....	61
Deep Seal.....	61
Grease.....	42, 43, 44
Hair.....	27, 44
Hospital.....	8
Oil.....	44
Trench Curbs.....	60
Trench Gratings.....	60
Trench Plates.....	60, 63
Trough Grate.....	27
U	
Urinal Drains.....	4 to 7
V	
Vacuum Attachment, Swimming Pool.....	24
Valley Drains.....	31
Valve Box.....	62
Valves, Backwater.....	36 to 41
Valves, Electric.....	38
Valves, Lock-Out.....	39
Vent Stack Sleeve.....	35
W	
Wall Outlet Drain.....	26, 40